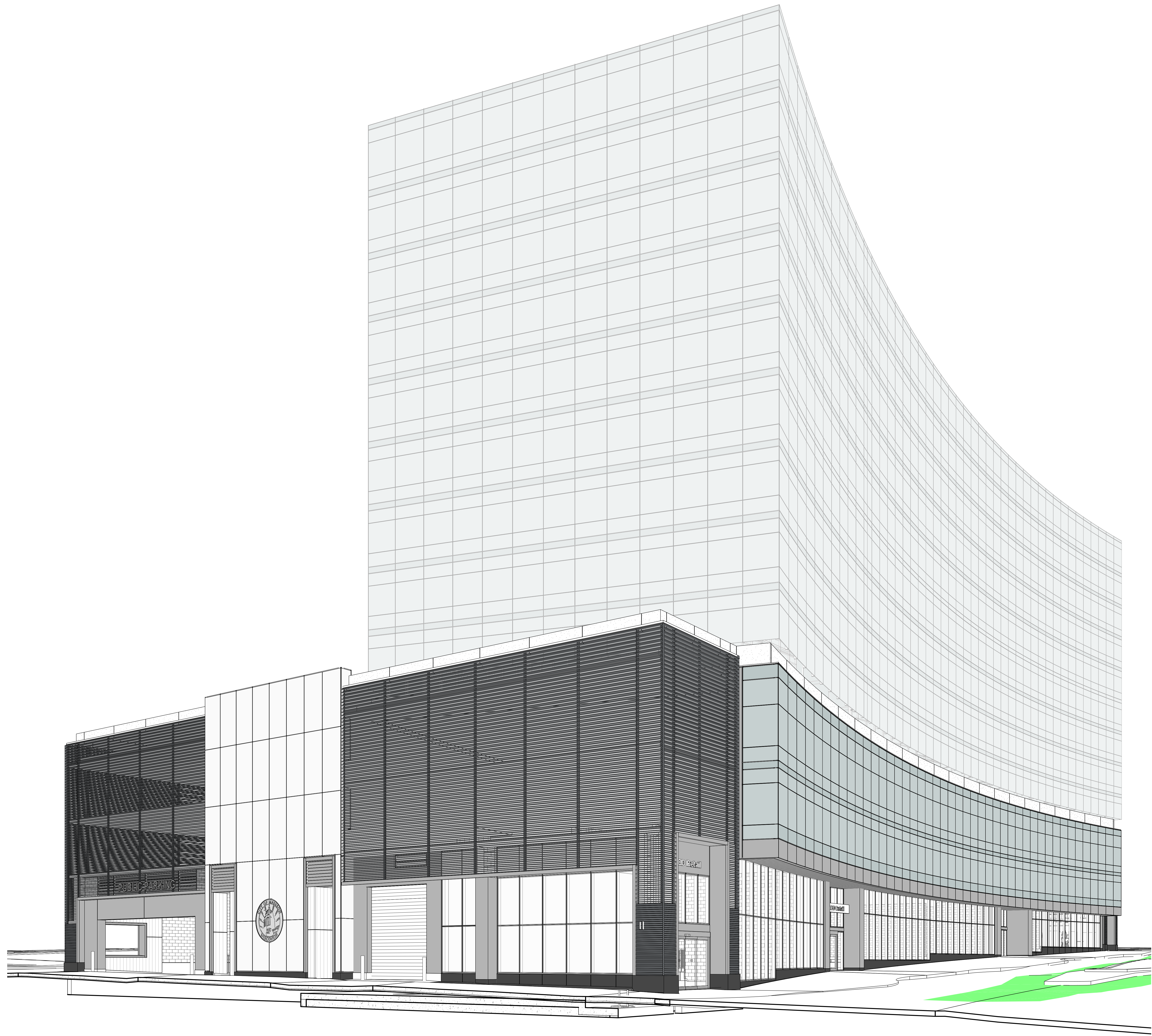


JUDGE DOYLE PODIUM

CITY OF MADISON - NEW PODIUM PARKING FACILITY



OWNER

CITY OF MADISON

210 MARTIN LUTHER KING JR BLVD. MADISON, WI 53703

DESIGN ARCHITECT/ ARCHITECT OF RECORD

LOTHAN VAN HOOK DESTEFANO ARCHITECTURE LLC

57 W. GRAND AVE. SUITE 300 CHICAGO IL, 60654

ASSOCIATE ARCHITECT

INSITE CONSULTING ARCHITECTS

115 EAST MAIN ST. SUITE 200 MADISON WI, 53703

CIVIL ENGINEER/ SECURITY CONSULTANT

MEAD & HUNT, INC.

2440 DEMING WAY MIDDLETON, WI 53562

STRUCTURAL ENGINEER

HALVORSON AND PARTNERS

600 W CHICAGO AVE. SUITE 650 CHICAGO IL 60654

MEP/ FP ENGINEER

AFFILIATED ENGINEERS, INC.

5802 RESEARCH PARK BLVD. MADISON, WI 5379

PARKING DESIGN CONSULTANT

WALKER PARKING CONSULTANTS

505 DAVIS RD. ELGIN, IL 60123

LANDSCAPE ARCHITECT

WOLFF LANDSCAPE ARCHITECTURE

307 N. MICHIGAN AVE. SUITE 601 CHICAGO, IL 60601

PUBLIC IMPROVEMENT PROJECT APPROVED: RES - 18-00792 FILE ID 53580 DATE November 20, 2018 BY THE COMMON COUNCIL OF MADISON, WI	PUBLIC IMPROVEMENT DESIGN APPROVED BY: _____ CITY ENGINEER _____ DATE
---	--

ISSUED FOR JUDGE DOYLE PODIUM ADDENDUM 2
JANUARY 18, 2019

ISSUED FOR JUDGE DOYLE PODIUM
ADDENDUM 2
JANUARY 18, 2019

DRAWING INDEX

SHEET NO	SHEET NAME	ISSUANCE HISTORY				
		07/20/2018 ISSUED FOR SCHEMATIC DESIGN	09/14/2018 ISSUED FOR DESIGN DEVELOPMENT	12/07/2018 ISSUED FOR PODIUM BID	01/20/2019 JUDGE DOYLE PODIUM ADDENDUM 1	01/20/2019 JUDGE DOYLE PODIUM ADDENDUM 2
GENERAL						
G-000.0	COVER SHEET	*	*	*	*	*
G-001.0	DOCUMENT SET INDEX	*	*	*	*	*
G-002.0	GENERAL NOTES, ABBREY, AND SYMBOLS	*	*	*	*	*
G-003.0	SITE SURVEY FOR REFERENCE	*	*	*	*	*
G-100.0	BUILDING CODE MATROC	*	*	*	*	*
G-101.0	TYPICAL MOUNTING LOCATIONS AND ACCESSIBILITY DIAGRAMS	*	*	*	*	*
G-101.1	TYPICAL MOUNTING LOCATIONS AND ACCESSIBILITY DIAGRAMS	*	*	*	*	*
G-103.0	EXITING AND LIFE SAFETY (LEVEL 1-4)	*	*	*	*	*
G-106.0	EXTERIOR WALL MOUNTING	*	*	*	*	*
CIVIL						
C-110.0	SITE DEMOLITION PLAN	*	*	*	*	*
C-120.0	BLOCK 88 SITE GRADING PLAN AND EROSION CONTROL PLAN	*	*	*	*	*
C-141.0	BLOCK 88 SITE UTILITY PLAN	*	*	*	*	*
R100.1	C.O.M. E. WILSON AND E. DOTY GRADING STREET PLAN	*	*	*	*	*
R100.2	C.O.M. S. PINCKNEY GRADING STREET PLAN AND LANDSCAPE PLAN	*	*	*	*	*
R101	C.O.M. UTILITY PLAN	*	*	*	*	*
R102	C.O.M. WATER UTILITY PLAN	*	*	*	*	*
R103	CITY TRAFFIC ENGINEERING ELECTRICAL SITE PLAN	*	*	*	*	*
LANDSCAPE						
L-101.0	GROUND FLOOR LANDSCAPE PLAN	*	*	*	*	*
L-301.0	PLANT LIST AND DETAILS	*	*	*	*	*
L-302.0	WATER FEATURE DETAILS	*	*	*	*	*
ARCHITECTURAL						
A-001.0	OVERALL SITE PLAN	*	*	*	*	*
A-002.0	BLOCK 88 SITE PLAN	*	*	*	*	*
A-100.1	UNDERGROUND PARKING PLAN - LEVEL U4	*	*	*	*	*
A-100.2	UNDERGROUND PARKING PLAN - LEVEL U3	*	*	*	*	*
A-100.3	UNDERGROUND PARKING PLAN - LEVEL U2	*	*	*	*	*
A-100.4	UNDERGROUND PARKING PLAN - LEVEL U1	*	*	*	*	*
A-100.5	UNDERGROUND PARKING PLAN - LEVEL U0	*	*	*	*	*
A-101.0	LEVEL 1 PLAN - WILSON STREET ENTRANCE	*	*	*	*	*
A-102.0	LEVEL 2 PLAN - DOTY STREET ENTRANCE	*	*	*	*	*
A-103.0	LEVEL 3 PLAN - PARKING PLAN	*	*	*	*	*
A-104.0	LEVEL 4 PLAN - PARKING PLAN	*	*	*	*	*
A-105.0	LEVEL 5 PLAN - ROOF PLAN	*	*	*	*	*
A-106.0	LEVEL 6 - UPPER ROOF PLAN	*	*	*	*	*
A-203.0	ENLARGED CORE PLANS - LEVEL 1	*	*	*	*	*
A-203.1	INTERIOR DETAILS	*	*	*	*	*
A-203.2	ELEVATOR CAB ELEVATIONS AND INTERIOR DETAILS	*	*	*	*	*
A-204.0	ENLARGED CORE PLANS - LEVEL 2, 3	*	*	*	*	*
A-204.1	TYPICAL VESTIBULE REFLECTED CEILING PLANS AND ELEVATIONS	*	*	*	*	*
A-205.0	ENLARGED CORE PLANS - LEVEL 4, 5	*	*	*	*	*
A-210.0	ENLARGED STAIR SECTIONS	*	*	*	*	*
A-211.0	ENLARGED STAIR PLANS & SECTIONS	*	*	*	*	*
A-212.0	ENLARGED STAIR & RAMP DETAILS	*	*	*	*	*
A-302.0	EXTERIOR ELEVATION - WILSON STREET	*	*	*	*	*
A-301.0	EXTERIOR ELEVATION - PINCKNEY STREET	*	*	*	*	*
A-302.0	EXTERIOR ELEVATION - DOTY STREET	*	*	*	*	*
A-303.0	EXTERIOR ELEVATION - MMB	*	*	*	*	*
A-304.0	WIND LOADING DIAGRAMS	*	*	*	*	*
A-310.0	BUILDING SECTIONS	*	*	*	*	*
A-311.0	BUILDING SECTIONS	*	*	*	*	*
A-312.0	BUILDING SECTIONS	*	*	*	*	*
A-313.0	BUILDING SECTIONS	*	*	*	*	*
A-314.0	BUILDING SECTIONS	*	*	*	*	*
A-315.0	BUILDING SECTIONS	*	*	*	*	*
A-410.0	EXTERIOR WALL DETAILS - GROUND LEVEL - ELEVATION, PLAN & SECTION	*	*	*	*	*
A-410.1	EXTERIOR WALL DETAILS - GROUND LEVEL - SECTION DETAILS	*	*	*	*	*
A-410.2	EXTERIOR WALL DETAILS - GROUND LEVEL - SECTION DETAILS	*	*	*	*	*
A-411.0	EXTERIOR WALL DETAILS - GROUND LEVEL - ELEVATION, PLAN & SECTION	*	*	*	*	*
A-411.1	EXTERIOR WALL DETAILS - GROUND LEVEL - SECTION DETAILS	*	*	*	*	*
A-411.2	WILSON STREET VESTIBULE ENTRANCE - ENLARGED PLANS, SECTIONS, AND DETAILS	*	*	*	*	*
A-411.3	WILSON STREET VESTIBULE ENTRANCE - ENLARGED PLANS, SECTIONS, AND DETAILS	*	*	*	*	*
A-412.0	EXTERIOR WALL DETAILS - GROUND LEVEL - ELEVATION, PLAN & SECTION	*	*	*	*	*
A-412.1	EXTERIOR WALL DETAILS - GROUND LEVEL - SECTION DETAILS	*	*	*	*	*
A-412.3	EXTERIOR WALL DETAILS - TYPICAL CORNER DETAIL	*	*	*	*	*
A-412.5	GROUND LEVEL DETAILS - WILSON STREET	*	*	*	*	*
A-412.6	GROUND LEVEL DETAILS - WILSON STREET	*	*	*	*	*
A-413.0	EXTERIOR WALL DETAILS - GROUND LEVEL - ELEVATION, PLAN & SECTION	*	*	*	*	*
A-413.1	EXTERIOR WALL DETAILS - GROUND LEVEL - SECTION DETAILS	*	*	*	*	*
A-414.0	EXTERIOR WALL DETAILS - GROUND LEVEL - ELEVATION, PLAN & SECTION	*	*	*	*	*
A-414.1	EXTERIOR WALL DETAILS - GROUND LEVEL - SECTION DETAILS	*	*	*	*	*
A-415.0	EXTERIOR WALL DETAILS - GROUND LEVEL - ELEVATION, PLAN & SECTION	*	*	*	*	*
A-415.1	EXTERIOR WALL DETAILS - TYPICAL WINDOW WALL DETAILS	*	*	*	*	*
A-416.0	EXTERIOR WALL DETAILS - GROUND LEVEL - ELEVATION, PLAN & SECTION	*	*	*	*	*
A-416.5	GROUND LEVEL DETAILS - PINCKNEY STREET	*	*	*	*	*
A-417.0	EXTERIOR WALL DETAILS - GROUND LEVEL - ELEVATION, PLAN & SECTION	*	*	*	*	*
A-418.0	EXTERIOR WALL DETAILS - GROUND LEVEL - ELEVATION, PLAN & SECTION	*	*	*	*	*
A-418.5	GROUND LEVEL DETAILS - DOTY STREET	*	*	*	*	*
A-419.0	EXTERIOR WALL DETAILS - GROUND LEVEL - ELEVATION, PLAN & SECTION	*	*	*	*	*
A-419.5	GROUND LEVEL DETAILS - WEST ELEVATION	*	*	*	*	*
A-500.0	PARTITION DETAILS	*	*	*	*	*
A-501.0	ROOM FINISH SCHEDULE AND MATERIAL LEGEND	*	*	*	*	*
A-501.1	FINISH FLOOR PLAN - LEVEL 3	*	*	*	*	*
A-501.2	FINISH FLOOR PLAN - LEVEL 4	*	*	*	*	*
A-502.0	DOOR TYPES & DETAILS	*	*	*	*	*
A-610.0	BICYCLE CENTER - ENLARGED FLOOR PLAN, REFLECTED CEILING PLAN AND ELEVATIONS	*	*	*	*	*
A-610.1	BICYCLE CENTER - INTERIOR ELEVATIONS	*	*	*	*	*
A-610.2	BICYCLE CENTER - DETAILS	*	*	*	*	*
MECHANICAL						
M-000.1	MECHANICAL SYMBOLS & ABBREVIATIONS	*	*	*	*	*
M-102.1	MECHANICAL LEVEL 2 PLAN - DOTY STREET	*	*	*	*	*
M-103.1	MECHANICAL APARTMENT PARKING PLAN - LEVEL 3	*	*	*	*	*
M-104.1	MECHANICAL APARTMENT PARKING PLAN - LEVEL 4	*	*	*	*	*
M-105.1	MECHANICAL APARTMENT LEVEL 5 - ROOF PLAN	*	*	*	*	*
M-401.1	MECHANICAL ENLARGED VIEWS	*	*	*	*	*
M-600.1	MECHANICAL DETAILS	*	*	*	*	*
M-601.1	MECHANICAL SCHEDULES	*	*	*	*	*
M-705.1	INSTRUMENTATION DETAILS	*	*	*	*	*
PLUMBING						
P-000.1	PLUMBING SYMBOLS & ABBREVIATIONS	*	*	*	*	*
P-100.5.1	PLUMBING UNDERGROUND PARKING PLAN - LEVEL U0	*	*	*	*	*
P-101.1	PLUMBING LEVEL 1 PLAN - WILSON STREET	*	*	*	*	*
P-102.1	PLUMBING LEVEL 2 PLAN - DOTY STREET	*	*	*	*	*
P-103.1	PLUMBING APARTMENT PARKING PLAN - LEVEL 3	*	*	*	*	*
P-104.1	PLUMBING APARTMENT PARKING PLAN - LEVEL 4	*	*	*	*	*
P-105.1	PLUMBING APARTMENT LEVEL 5 - ROOF PLAN	*	*	*	*	*
P-600.1	PLUMBING DETAILS AND SCHEDULES	*	*	*	*	*
P-701.1	DOMESTIC WATER ISOMETRIC DIAGRAM	*	*	*	*	*
P-701.1	WASTE & VENT ISOMETRIC DIAGRAM	*	*	*	*	*
P-702.1	STORM PIPING ISOMETRIC DIAGRAM	*	*	*	*	*
ELECTRICAL						
E-000.0	ELECTRICAL SYMBOLS & ABBREVIATIONS	*	*	*	*	*
E-102.1	LIGHTING LEVEL 2 PLAN - DOTY STREET	*	*	*	*	*
E-103.1	LIGHTING APARTMENT PARKING PLAN - LEVEL 3	*	*	*	*	*
E-104.1	LIGHTING APARTMENT PARKING PLAN - LEVEL 4	*	*	*	*	*
E-111.1	POWER LEVEL 1 PLAN - WILSON STREET	*	*	*	*	*
E-112.1	POWER LEVEL 2 PLAN - DOTY STREET	*	*	*	*	*
E-113.1	POWER APARTMENT PARKING PLAN - LEVEL 3	*	*	*	*	*
E-114.1	POWER APARTMENT PARKING PLAN - LEVEL 4	*	*	*	*	*
E-121.1	SYSTEMS LEVEL 1 PLAN - WILSON STREET	*	*	*	*	*
E-122.1	SYSTEMS LEVEL 2 PLAN - DOTY STREET	*	*	*	*	*
E-123.1	SYSTEMS APARTMENT PARKING PLAN - LEVEL 3	*	*	*	*	*
E-124.1	SYSTEMS APARTMENT PARKING PLAN - LEVEL 4	*	*	*	*	*
E-135.1	ELECTRICAL APARTMENT PARKING PLAN - LEVEL 5	*	*	*	*	*
E-600.1	ELECTRICAL SCHEDULES	*	*	*	*	*
E-601.1	ELECTRICAL PANEL SCHEDULE	*	*	*	*	*
E-602.0	EQUIPMENT SCHEDULE	*	*	*	*	*
E-603.0	ELECTRICAL PANEL SCHEDULES	*	*	*	*	*
E-700.1	ELECTRICAL RISER DIAGRAM	*	*	*	*	*
E-701.1	GROUNDING RISER DIAGRAM	*	*	*	*	*
E-702.1	FIRE ALARM RISER DIAGRAM AND MATRIX	*	*	*	*	*
SECURITY						
T-001.0	NOTES, SYMBOLS, & ABBREVIATIONS	*	*	*	*	*
T-120.0	LEVEL 3 PLAN - DOTY ST ENTRY - SECURITY	*	*	*	*	*
T-123.0	LEVEL 3 PLAN - PARKING PLAN - SECURITY	*	*	*	*	*
T-124.0	LEVEL 4 PLAN - PARKING PLAN - SECURITY	*	*	*	*	*
T-401.0	ENLARGED PLANS	*	*	*	*	*
T-402.0	ENLARGED PLAN - BICYCLE CENTER	*	*	*	*	*
T-501.0	DETAILS	*	*	*	*	*
T-601.0	SCHEDULES	*	*	*	*	*
T-701.0	ONE-LINE DIAGRAMS	*	*	*	*	*
FIRE PROTECTION						
F-000.1	FIRE PROTECTION SYMBOLS & ABBREVIATIONS	*	*	*	*	*
F-102.1	FIRE PROTECTION LEVEL 2 PLAN - DOTY STREET	*	*	*	*	*
F-103.1	FIRE PROTECTION APARTMENT PARKING PLAN - LEVEL 3	*	*	*	*	*
F-104.1	FIRE PROTECTION APARTMENT PARKING PLAN - LEVEL 4	*	*	*	*	*
F-105.1	FIRE PROTECTION APARTMENT LEVEL 5 - ROOF PLAN	*	*	*	*	*
F-600.1	FIRE PROTECTION DETAILS	*	*	*	*	*
F-700.1	FIRE PROTECTION DIAGRAM	*	*	*	*	*
PARKING						
PA-100.1	UNDERGROUND PARKING PLAN - LEVEL U4	*	*	*	*	*
PA-100.2	UNDERGROUND PARKING PLAN - LEVEL U3	*	*	*	*	*
PA-100.3	UNDERGROUND PARKING PLAN - LEVEL U2	*	*	*	*	*
PA-100.4	UNDERGROUND PARKING PLAN - LEVEL U1	*	*	*	*	*
PA-100.5	UNDERGROUND PARKING PLAN - LEVEL U0	*	*	*	*	*
PA-101.0	LEVEL 1 PARKING PLAN - WILSON STREET ENTRANCE	*	*	*	*	*
PA-102.0	LEVEL 2 PARKING PLAN - DOTY STREET ENTRANCE	*	*	*	*	*
PA-103.0	APARTMENT PARKING PLAN - LEVEL 3	*	*	*	*	*
PA-104.0	APARTMENT PARKING PLAN - LEVEL 4	*	*	*	*	*
PA-401.0	ENLARGED PLANS	*	*	*	*	*
PA-601.0	SIGN SCHEDULES AND COMPONENTS	*	*	*	*	*
PA-701.0	SIGN MOUNTING DETAILS	*	*	*	*	*

NOTE: THE "JUDGE DOYLE PODIUM" SET HAS A SIMILAR NUMBERING SYSTEM RELATIVE TO THE "JUDGE DOYLE SQUARE - NEW MUNICIPAL PARKING FACILITY" WHICH IS INCLUDED FOR REFERENCE ONLY

No.	Description	Date
6	JUDGE DOYLE PODIUM ADDENDUM 2	01/18/2019
5	JUDGE DOYLE PODIUM ADDENDUM 1	01/03/2019
4	ISSUED FOR PODIUM BID	12/07/2018
2	ISSUED FOR DESIGN DEVELOPMENT	09/14/2018
1	ISSUED FOR SCHEMATIC DESIGN	07/20/2018

JUDGE DOYLE PODIUM
CITY OF MADISON

ARCHITECT:
lothan van hook destefano
ARCHITECTURE LLC

ASSOCIATE ARCHITECT:
INSITE CONSULTING ARCHITECTS

PARKING CONSULTANT:
WALKER

STRUCTURAL ENGINEERS:
H. A. LYORSON AND PARTNERS
A WEST PARDON ENGINEERING COMPANY

MEP/P ENGINEERS:
AEI Affiliated Engineers

CIVIL ENGINEERS:
Mead & Hunt

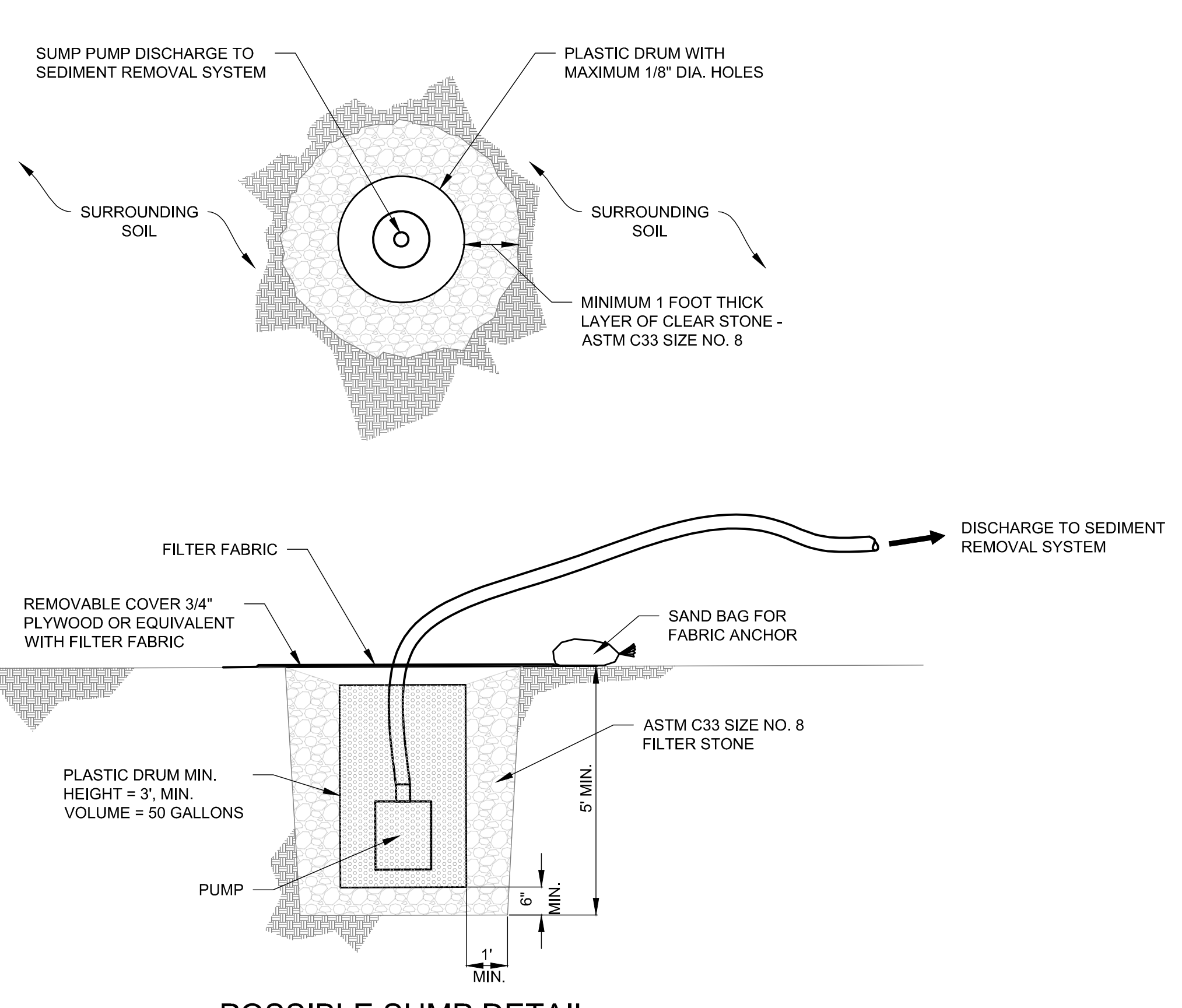
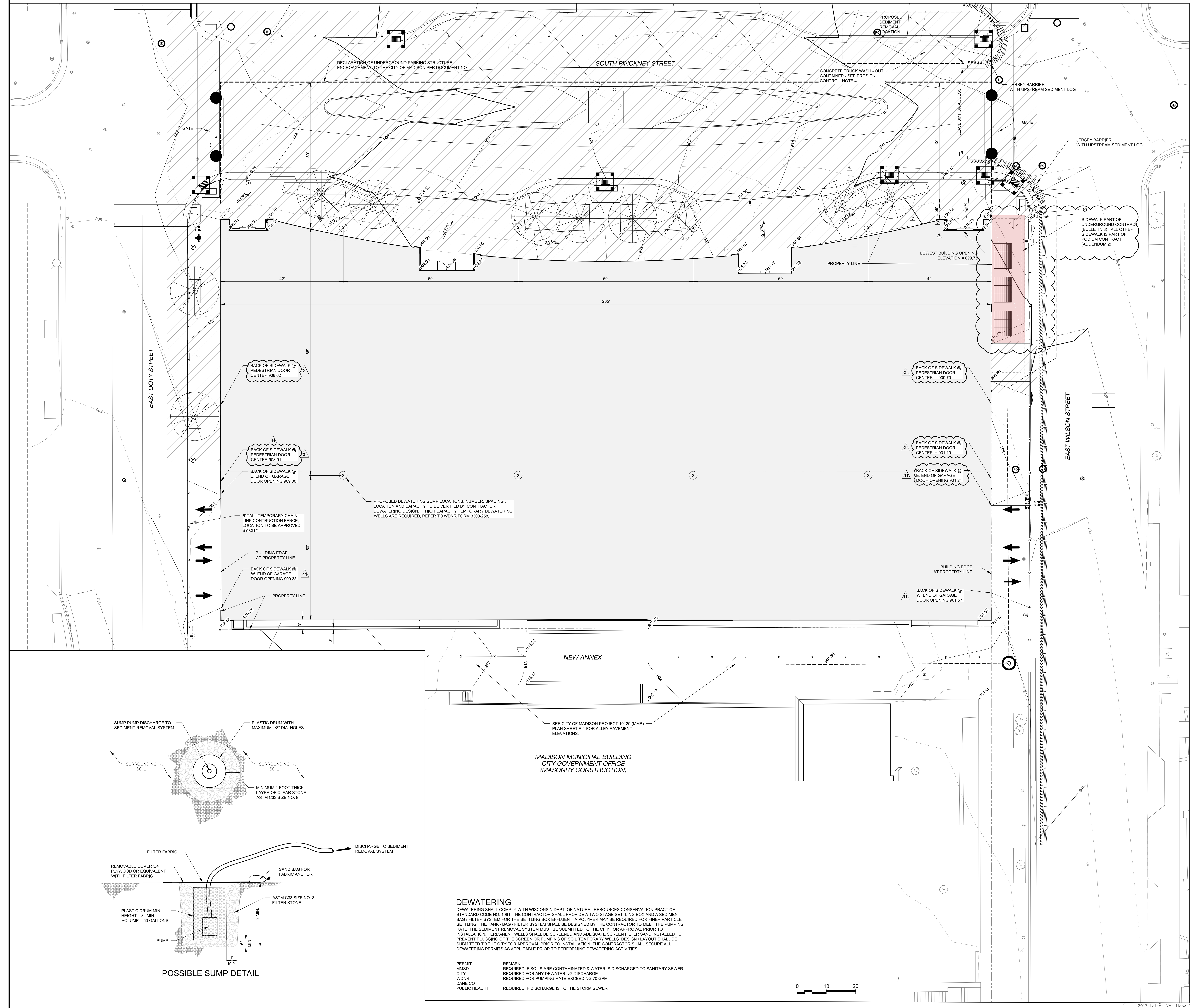
LANDSCAPE ARCHITECT:
WOLFF LANDSCAPE ARCHITECTURE
PLANNING
LANDSCAPE ARCHITECTURE
URBAN DESIGN

Drawing Title

DOCUMENT SET INDEX

Drawn	Date
Author	1/18/2019 4:41:07 PM
Checked By	Drawing Number
Approver	
Job Number	G-001.0
217-1088	

NOTE: THE DRAWING INDEX FOR THE "FOR REFERENCE ONLY" JUDGE DOYLE SQUARE-BLOCK 88 SET ISSUED WITH THIS PACKAGE CAN BE FOUND ON SHEET G-001.0 (ISSUED 10/15/2018, BULLETIN #7)



DEWATERING

DEWATERING SHALL COMPLY WITH WISCONSIN DEPT. OF NATURAL RESOURCES CONSERVATION PRACTICE STANDARD CODE NO. 1061. THE CONTRACTOR SHALL PROVIDE A TWO STAGE SETTLING BOX AND A SEDIMENT BAG / FILTER SYSTEM FOR THE SETTLING BOX EFFLUENT. A POLYMER MAY BE REQUIRED FOR FINER PARTICLE SETTLING. THE TANK / BAG / FILTER SYSTEM SHALL BE DESIGNED BY THE CONTRACTOR TO MEET THE PUMPING RATE. THE SEDIMENT REMOVAL SYSTEM MUST BE SUBMITTED TO THE CITY FOR APPROVAL PRIOR TO INSTALLATION. PERMANENT WELLS SHALL BE SCREENED AND ADEQUATE SCREEN FILTER SAND INSTALLED TO PREVENT PLUGGING OF THE SCREEN OR PUMPING OF SOIL. TEMPORARY WELLS DESIGN / LAYOUT SHALL BE SUBMITTED TO THE CITY FOR APPROVAL PRIOR TO INSTALLATION. THE CONTRACTOR SHALL SECURE ALL DEWATERING PERMITS AS APPLICABLE PRIOR TO PERFORMING DEWATERING ACTIVITIES.

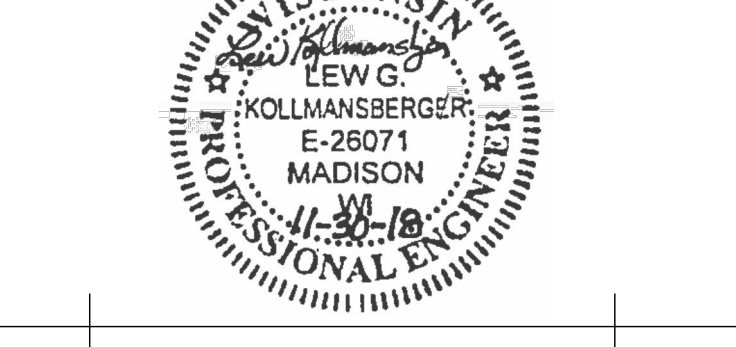
PERMIT	REMARK
MMSD	REQUIRED IF SOILS ARE CONTAMINATED & WATER IS DISCHARGED TO SANITARY SEWER
CITY	REQUIRED FOR ANY DEWATERING DISCHARGE
WDNR	REQUIRED FOR PUMPING RATE EXCEEDING 70 GPM
DANE CO	
PUBLIC HEALTH	REQUIRED IF DISCHARGE IS TO THE STORM SEWER

- EROSION CONTROL AND STORMWATER MANAGEMENT**
1. THE RIGHT-OF-WAY IS THE SOLE JURISDICTION OF THE CITY OF MADISON AND IS SUBJECT TO CHANGE AT ANY TIME PER THE RECOMMENDATION / PLAN OF THE CITY TRAFFIC ENGINEERING AND CITY PUBLIC WORKS ENGINEERING DEPARTMENTS.
 2. THE CONTRACTOR SHALL REPLACE ALL SIDEWALK AND CURB & GUTTER THAT ADJUTS THE PROPERTY WHICH IS DAMAGED BY CONSTRUCTION OR WHICH THE CITY ENGINEER DETERMINES NEEDS TO BE REPLACED DUE TO UNDESIRABLE GRADE REGARDLESS OF ITS PRECONSTRUCTION CONDITION.
 3. ALL WORK IN THE RIGHT-OF-WAY SHALL BE PERFORMED BY A CITY LICENSED CONTRACTOR.
 4. ALL PAVEMENT DAMAGE E. DOTY ST., E. WILSON ST., S. PINCKNEY ST. THAT IS SUBJECT TO THE PROJECT SHALL BE RESTORED IN ACCORDANCE WITH THE CITY'S PATCHING CRITERIA. REFER TO [HTTP://WWW.CITYOFMADISON.COM/ENGINEERING/PATCHING_CRITERIA.CFM](http://www.cityofmadison.com/engineering/patching_criteria.cfm).
 5. ALL SIDEWALK SHALL BE CONSTRUCTED TO PLANS APPROVED BY THE CITY.
 6. THE CONTRACTOR SHALL WIDEN ALL SIDEWALK JOINTS BY SAWCUTTING TO A DEPTH OF 1/4" IN THE CONCRETE THICKNESS, THEN INSERT BACKER ROD, AND SEAL THE JOINT WITH SILICONE SEALANT.

1. STREET SWEEPING OR VACUUMING EQUIPMENT SHALL BE AVAILABLE AT ALL TIMES DURING CONSTRUCTION AND SHALL BE USED TO IMMEDIATELY REMOVE ANY SEDIMENT THAT IS TRANSPORTED OR ESCAPES THE IMMEDIATE CONSTRUCTION SITE.
2. THE CONTRACTOR SHALL DESIGN A DEWATERING AND SEDIMENT REMOVAL SYSTEM TO BE SUBMITTED TO THE CITY AS PART OF THE EROSION CONTROL APPLICATION.
3. ALL INLETS WITHIN THE CONSTRUCTION SITE AND WITHIN 300 FEET DOWNSTREAM OF THE DISTURBED AREA SHALL HAVE SEDIMENT CONTROL INLET PROTECTION.
4. THE CONTRACTOR SHALL PROVIDE A TEMPORARY CONTAINER(S) FOR CONCRETE TRUCK WASHOUT. THE CONTAINER SHALL HOLD A MINIMUM VOLUME OF 400 CUBIC FEET & SHALL HAVE A MINIMUM DEPTH OF 4 FEET. THE CONTAINER MAY BE PREMANUFACTURED OR CUSTOM CONSTRUCTED. THE CONTAINER SHALL HAVE A MINIMUM 50 MIL THICK HOPE LINER OR EQUIVALENT TO PREVENT LEAKAGE. THE CONTAINER(S) SHALL BE REGULARLY CLEANED AND THE CONTENTS PROPERLY DEPOSED.
5. WEEKLY AND STORM RELATED EROSION CONTROL INSPECTIONS SHALL BE PERFORMED AND REPORTED PER CITY ORDINANCE (CHAPTER 37). A USLE COMPUTATION HAS BEEN SUBMITTED AS PART OF THE CITY EROSION CONTROL APPLICATION. ANCH / WRAPP PERMIT APPLICATION HAS BEEN SUBMITTED TO THE WISCONSIN DEPARTMENT OF NATURAL RESOURCES.
6. PROPER EROSION CONTROL MEASURES MUST BE IN PLACE FOR FIRE SYSTEM TESTING. AND CITY ENGINEERING SHALL BE CONTACTED @ 608.266.4751 TO VERIFY MEASURES ARE ADEQUATELY INSTALLED PRIOR TO THIS TESTING.
7. FOR EROSION CONTROL DETAILS, REFER TO CITY OF MADISON STANDARD DETAILS: WWW.CITYOFMADISON.COM/DOCUMENTS/STD_SPECS/2017
8. MAINTAIN EXISTING CURBS ALONG DOTY AND WILSON STREETS AND PROVIDE A MEANS FOR UPSTREAM DRAINAGE TO BE DIRECTED AROUND THE EXCAVATION DURING CONSTRUCTION.

- LEGEND:**
- INLET PROTECTION, TYPE D
 - SSSSSSSSSSSSSSSS SEDIMENT LOG
 - EXISTING CONTOUR LINES
 - PROPOSED CONTOUR LINES
 - GRADING LIMITS
 - FINISHED / PROPOSED SPOT ELEVATION
 - FINISHED / PROPOSED SLOPE
 - JERSEY BARRIER
 - SIDEWALK / STREETSCAPE CONSTRUCTION ITEMS FOR REFERENCE ONLY - NOT IN CONTRACT

NOTE: THE "JUDGE DOYLE PODIUM" SET HAS A SIMILAR NUMBERING SYSTEM RELATIVE TO THE "JUDGE DOYLE SQUARE - NEW MUNICIPAL PARKING FACILITY" WHICH IS INCLUDED FOR REFERENCE ONLY.



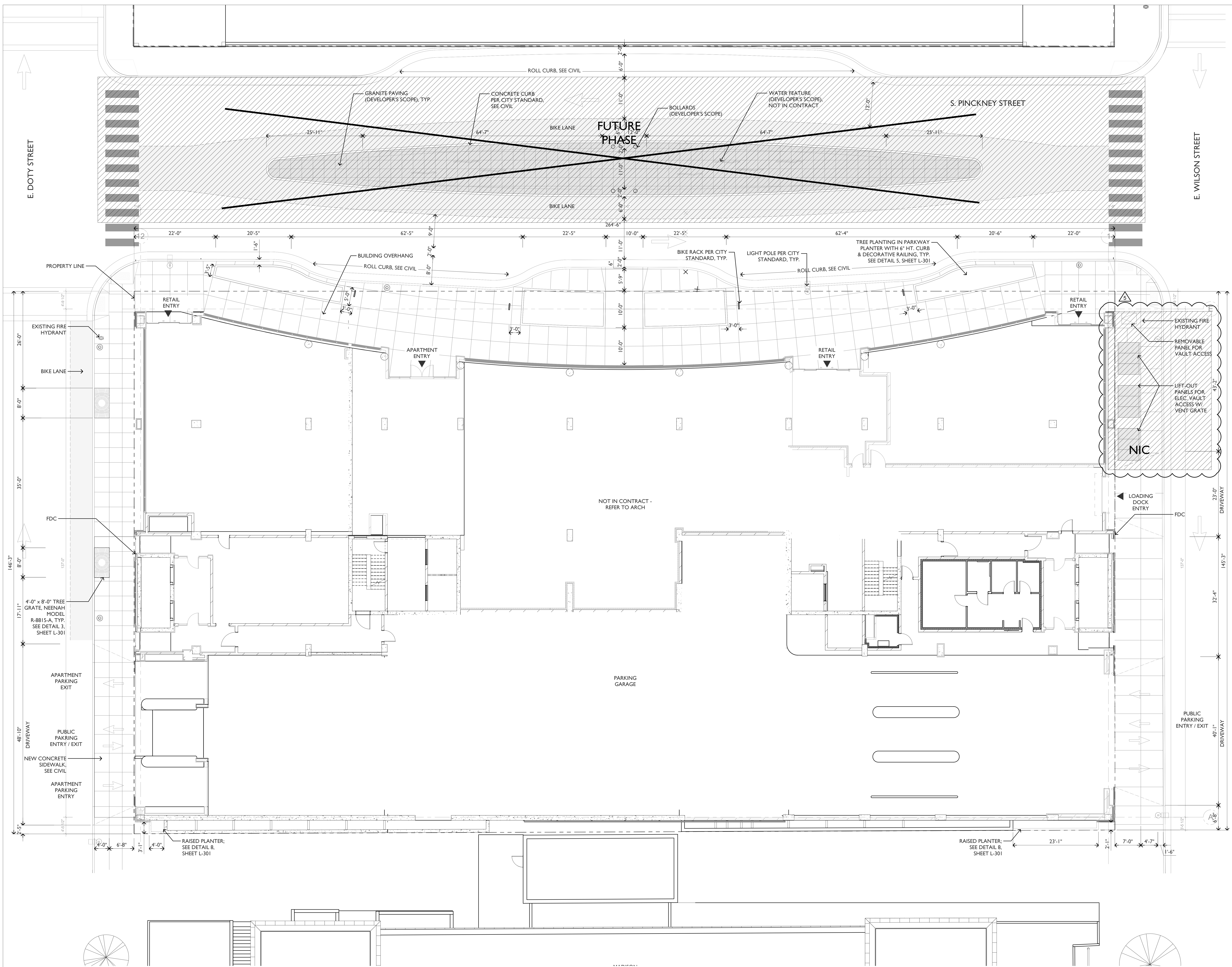
2	JUDGE DOYLE PODIUM ADDENDUM 2	01/18/2018
2	ISSUED FOR PODIUM BID	12/07/2018
2	ISSUED FOR DESIGN DEVELOPMENT	09/14/2018
1	ISSUED FOR SCHEMATIC DESIGN	07/20/2018
1	DISSEMINATED	01/15/2018

JUDGE DOYLE PODIUM
CITY OF MADISON, 53703
ARCHITECT:
lothan van hook destefano
ARCHITECTURE LLC

- ASSOCIATE ARCHITECT:
INSITE CONSULTING ARCHITECTS
- PARKING CONSULTANT:
WALKER
- STRUCTURAL ENGINEERS:
HALLORSON AND PARTNERS
- MEP/FP ENGINEERS:
AEI Affiliated Engineers
- CIVIL ENGINEERS:
Mead & Hunt
- LANDSCAPE ARCHITECT:
WOLFF LANDSCAPE ARCHITECTURE PLANNING LANDSCAPE ARCHITECTURE URBAN DESIGN

BLOCK 88 SITE GRADING AND EROSION CONTROL PLAN

DATE: 7/1/2017
CHECKED BY: [Signature]
APPROVED: [Signature]
JOB NUMBER: 215-1051
C-121.0



NOTE: THE 'JUDGE DOYLE PODIUM' SET HAS A SIMILAR NUMBERING SYSTEM RELATIVE TO THE 'JUDGE DOYLE SQUARE - NEW MUNICIPAL PARKING FACILITY' WHICH IS INCLUDED FOR REFERENCE ONLY



No.	Description	Date
5	JUDGE DOYLE PODIUM ADDENDUM 2	01/18/2019
4	ISSUED FOR PODIUM BID	12/07/2018
3	ISSUED FOR STATE PLAN REVIEW	11/16/2018
2	ISSUED FOR DESIGN DEVELOPMENT	09/14/2018
1	ISSUED FOR SCHEMATIC DESIGN	07/30/2018

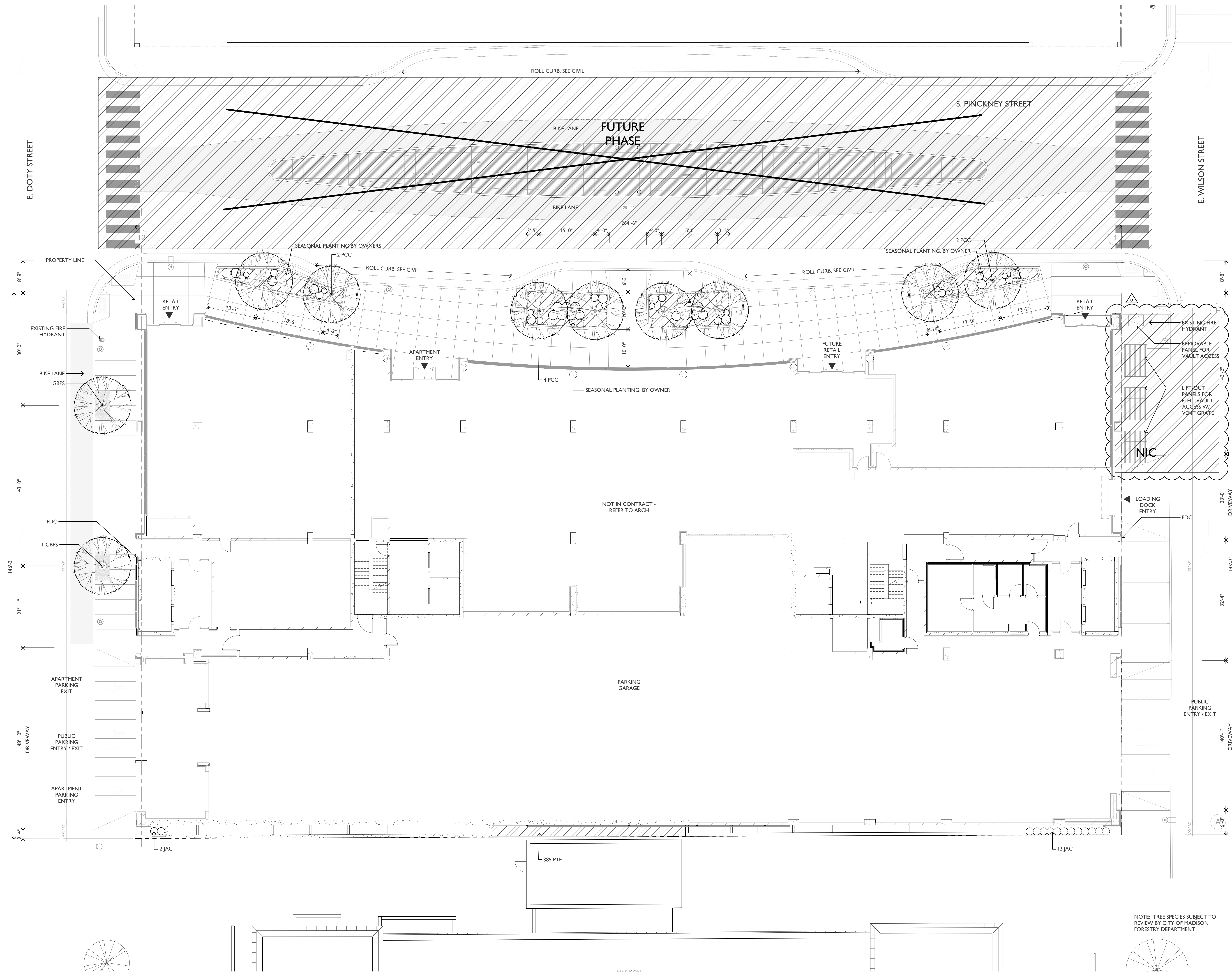
- JUDGE DOYLE PODIUM
CITY OF MADISON, 53703
- ARCHITECT:
lothan van hook destefano
ARCHITECTURE LLC
- ASSOCIATE ARCHITECT:
INSITE CONSULTING ARCHITECTS
- PARKING CONSULTANT:
WALKER
- STRUCTURAL ENGINEERS:
H.A.L.V.O.R.S.O.N.
AND PARTNERS
- MEP/P E ENGINEERS:
AEI Affiliated Engineers
- CIVIL ENGINEERS:
Mead & Hunt
- LANDSCAPE ARCHITECT:
WOLFF LANDSCAPE ARCHITECTURE
PLANNING
LANDSCAPE ARCHITECTURE
URBAN DESIGN

Drawing Title
GROUND FLOOR HARDSCAPE PLAN

Drawn	Date
Author	
Checked By	Drawing Number
Checker	
Approved	
Approver	
Job Number	

L-101

General Notes
NOTE: AVERAGE ELEVATION FOR BUILDING HEIGHT = 903'-6"



NOTE: THE 'JUDGE DOYLE PODIUM' SET HAS A SIMILAR NUMBERING SYSTEM RELATIVE TO THE 'JUDGE DOYLE SQUARE - NEW MUNICIPAL PARKING FACILITY' WHICH IS INCLUDED FOR REFERENCE ONLY



No.	Description	Date
5	JUDGE DOYLE PODIUM ADDENDUM 2	01/18/2019
4	ISSUED FOR PODIUM BID	12/07/2018
3	ISSUED FOR STATE PLAN REVIEW	11/16/2018
2	ISSUED FOR DESIGN DEVELOPMENT	09/14/2018
1	ISSUED FOR SCHEMATIC DESIGN	07/30/2018

- JUDGE DOYLE PODIUM
CITY OF MADISON, 53703
- ARCHITECT:
lothan van hook destefano
ARCHITECTURE LLC
- ASSOCIATE ARCHITECT:
INSITE CONSULTING ARCHITECTS
- PARKING CONSULTANT:
WALKER
- STRUCTURAL ENGINEERS:
H. A. L. V. O. R. S. O. N.
AND PARTNERS
- MEP/P E ENGINEERS:
AEI Affiliated Engineers
- CIVIL ENGINEERS:
Mead & Hunt
- LANDSCAPE ARCHITECT:
WOLFF LANDSCAPE ARCHITECTURE
PLANNING
LANDSCAPE ARCHITECTURE
URBAN DESIGN

NOTE: TREE SPECIES SUBJECT TO REVIEW BY CITY OF MADISON FORESTRY DEPARTMENT

Drawing Title: _____

GROUND FLOOR LANDSCAPE PLAN

Drawn: _____ Date: _____

Author: _____

Checked By: _____ Drawing Number: _____

Checker: _____

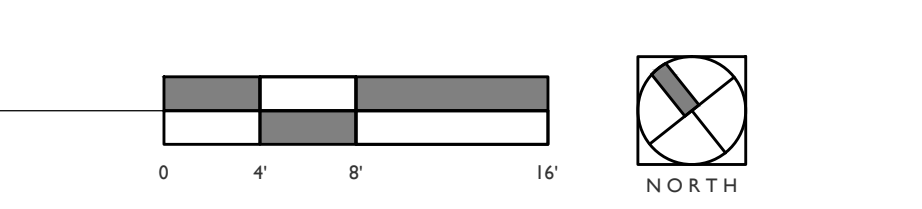
Approved: _____

Approver: _____

Job Number: _____

215-1051

BLOCK 88 LANDSCAPE PLAN
SCALE: 1/8"=1'-0"



General Notes

NOTE 1: CONSTRUCTION SHOWN HALF-TONE IS EXISTING - FOR INFORMATION ONLY

NOTE 2: FOR PARTITION SCHEDULE, SEE SHEET A-300.0

NOTE 3: FOR DOOR SCHEDULE, SEE SHEET A-302.0

NOTE 4: FOR FINISHES SCHEDULE, SEE SHEET A-301.0

NOTE 5: SEE G-102.0 AND G-103.0 FOR HOURLY RATINGS OF PARTITIONS

LEGEND

N.I.C. CONSTRUCTION ITEMS FOR REFERENCE ONLY - NOT IN CONTRACT - SUBJECT TO SEPARATE PERMIT

NOTE:
THE "JUDGE DOYLE PODIUM" SET HAS A SIMILAR NUMBERING SYSTEM RELATIVE TO THE "JUDGE DOYLE SQUARE - NEW MUNICIPAL PARKING FACILITY" WHICH IS INCLUDED FOR REFERENCE ONLY

No.	Description	Date
6	JUDGE DOYLE PODIUM ADDENDUM 2	01/18/2019
4	ISSUED FOR PODIUM BID	12/07/2018
2	ISSUED FOR DESIGN DEVELOPMENT	09/14/2018
1	ISSUED FOR SCHEMATIC DESIGN	07/20/2018
0	CREATION	07/20/2018

JUDGE DOYLE PODIUM
CITY OF MADISON

ARCHITECT:
lothan van hook destefano
ARCHITECTURE LLC

ASSOCIATE ARCHITECT:
INSITE CONSULTING ARCHITECTS

PARKING CONSULTANT:
WALKER

STRUCTURAL ENGINEERS:
H. A. L'VORSON AND PARTNERS

MEP/P ENGINEERS:
AEI Affiliated Engineers

CIVIL ENGINEERS:
Mead & Hunt

LANDSCAPE ARCHITECT:
WOLFF LANDSCAPE ARCHITECTURE

Drawing Title

LEVEL 3 PLAN - PARKING PLAN

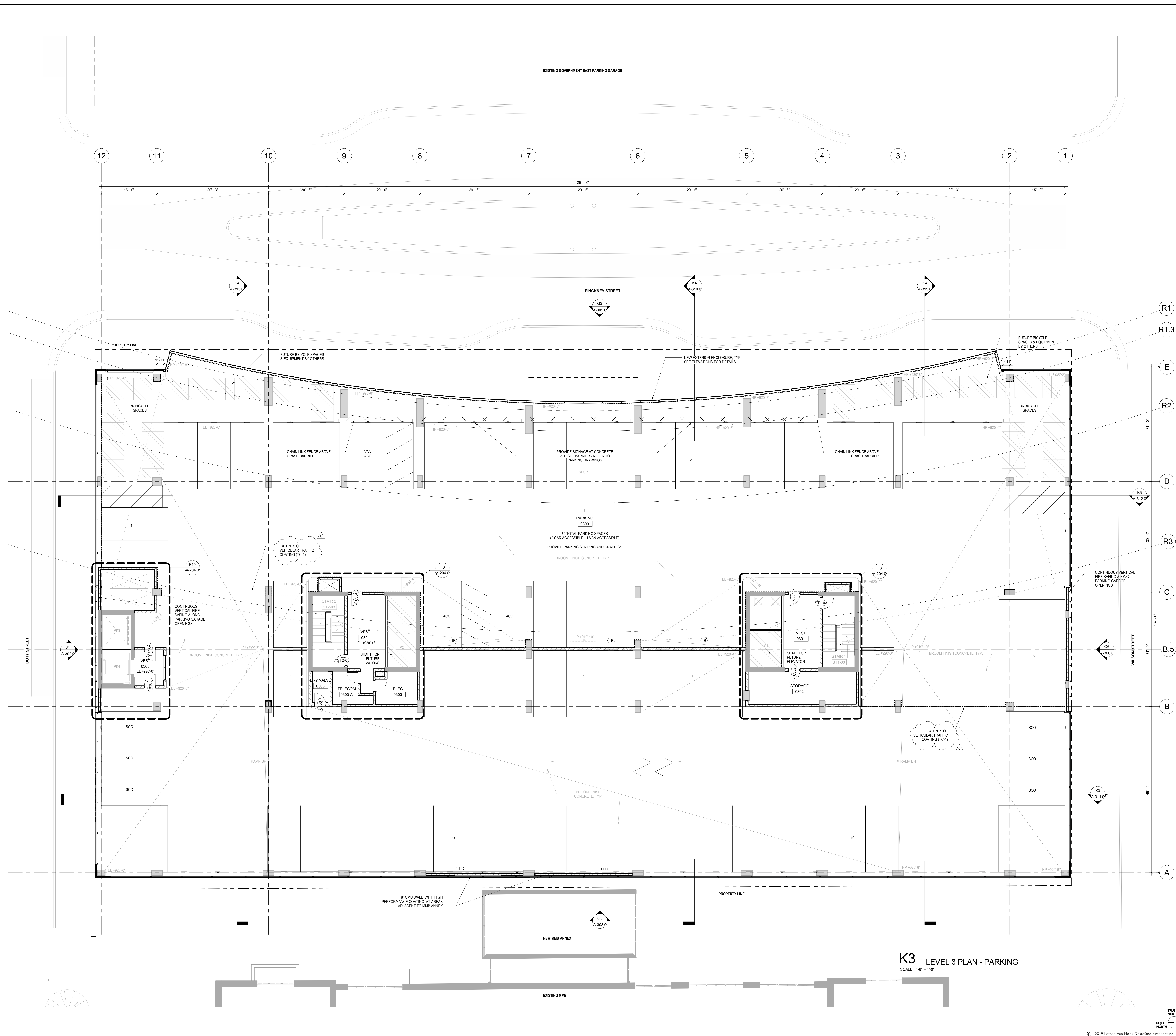
Scale: 1/8" = 1'-0"

Drawn: [Redacted] **Date:** 1/18/2019 4:31:35 PM

Author: [Redacted] **Checked By:** [Redacted]

Approved: [Redacted] **Job Number:** A-103.0

217-1088



K3 LEVEL 3 PLAN - PARKING
SCALE: 1/8" = 1'-0"

C:\Users\administrator\Documents\Judge Doyle Square - Madison Podium\mwd\1/18/2019 4:31:35 PM

General Notes

NOTE 1: CONSTRUCTION SHOWN HALF-TONE IS EXISTING - FOR INFORMATION ONLY

NOTE 2: FOR PARTITION SCHEDULE, SEE SHEET A-500.0. USE BA TO HANG PARKING GARAGE SIGNAGE AT AREAS WITHOUT EXISTING CONCRETE WALL

LEGEND

N.I.C. CONSTRUCTION ITEMS FOR REFERENCE ONLY - NOT IN CONTRACT - SUBJECT TO SEPARATE PERMIT

NOTE 3: FOR DOOR SCHEDULE, SEE SHEET A-502.0

NOTE 4: FOR FINISHES SCHEDULE, SEE SHEET A-501.0

NOTE 5: SEE G-102.0 AND G-103.0 FOR HOURLY RATINGS OF PARTITIONS

NOTE:
THE "JUDGE DOYLE PODIUM" SET HAS A SIMILAR NUMBERING SYSTEM RELATIVE TO THE "JUDGE DOYLE SQUARE - NEW MUNICIPAL PARKING FACILITY" WHICH IS INCLUDED FOR REFERENCE ONLY

No.	Description	Date
6	JUDGE DOYLE PODIUM ADDENDUM 2	01/18/2019
4	ISSUED FOR PODIUM BID	12/07/2018
2	ISSUED FOR DESIGN DEVELOPMENT	09/14/2018
1	ISSUED FOR SCHEMATIC DESIGN	07/20/2018
	Checked by	EDW

JUDGE DOYLE PODIUM
CITY OF MADISON

ARCHITECT:
lothan van hook destefano
ARCHITECTURE LLC

ASSOCIATE ARCHITECT:
INSITE CONSULTING ARCHITECTS

PARKING CONSULTANT:
WALKER

STRUCTURAL ENGINEERS:
H. A. L. VORSON
AND PARTNERS

ME/P/FP ENGINEERS:
AEI Affiliated Engineers

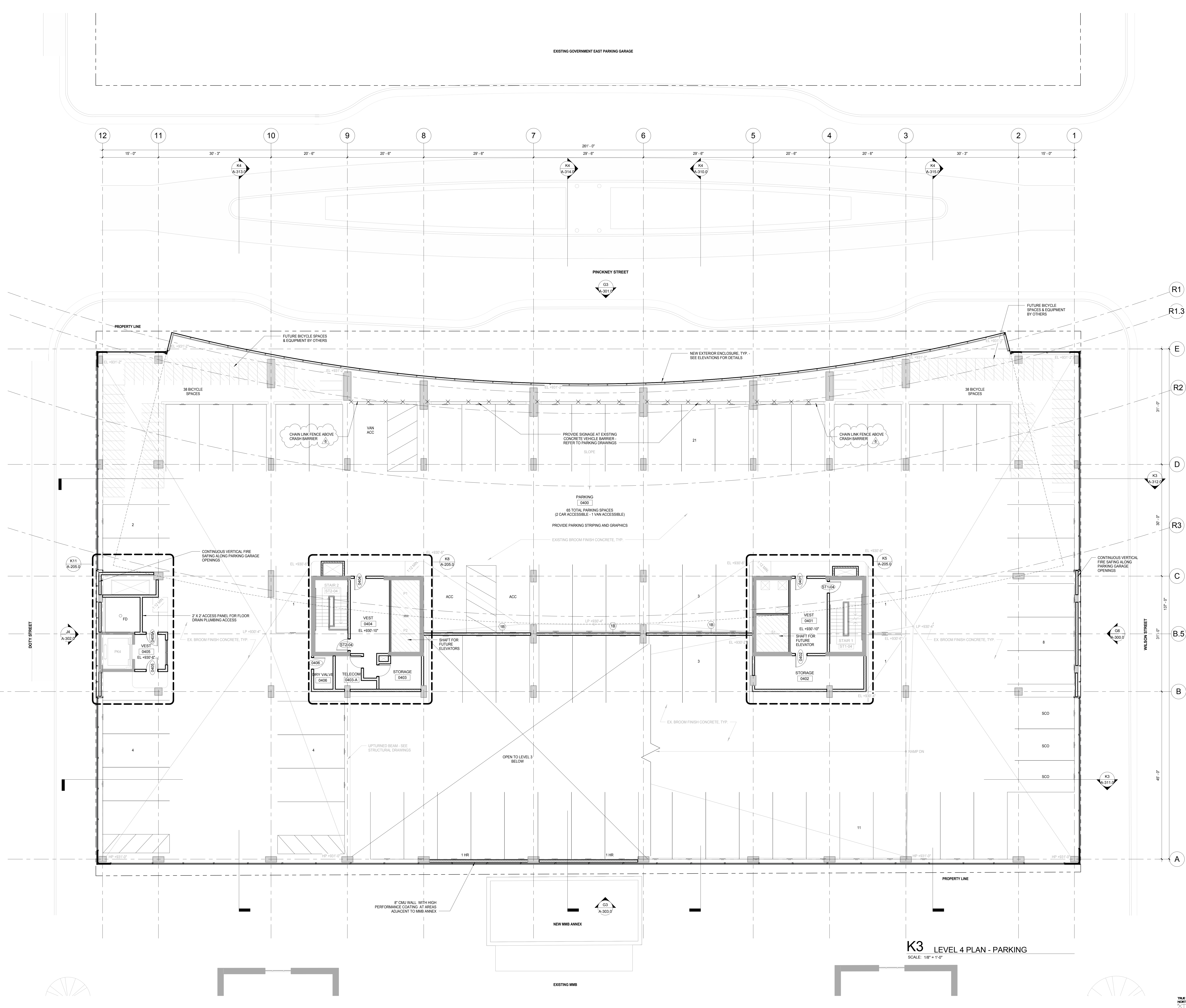
CIVIL ENGINEERS:
Mead & Hunt

LANDSCAPE ARCHITECT:
WOLFF LANDSCAPE ARCHITECTURE
PLANNING
LANDSCAPE ARCHITECTURE
URBAN DESIGN

Drawing Title

LEVEL 4 PLAN - PARKING PLAN

Drawn	Date
Author	1/18/2019 4:12:04 PM
Checked By	Drawing Number
Checker	
Approved	
Approver	
Job Number	A-104.0
	217-1088



K3 LEVEL 4 PLAN - PARKING
SCALE: 1/8" = 1'-0"

C:\Users\administrator\Documents\Judge Doyle Square - Madison Podium_1.mxd
1/18/2019 4:52:04 PM

General Notes

NOTE 1: CONSTRUCTION SHOWN HALF-TONE IS EXISTING - FOR INFORMATION ONLY

NOTE 2: FOR DOOR TAGS, SEE ARCHITECTURAL FLOOR PLANS

NOTE 3: FOR ROOM FINISHES, SEE SCHEDULE ON A-501.0

NOTE 4: FOR MATERIAL FINISHES, SEE SCHEDULE ON A-501.0

NOTE 5: PARKING ELEVATOR VESTIBLES TO BE SMOKE PROTECTED PER IBC 308.2.2

LEGEND

N.I.C. CONSTRUCTION ITEMS FOR REFERENCE ONLY - NOT IN CONTRACT - SUBJECT TO SEPARATE PERMIT

NOTE 6: P1 AND P2 ARE FIRE ACCESS ELEVATORS AND ENTRIES TO BE INSTALLED WITH ABOVE-GRADE TOWER. PROVIDE 2 HR SHWTF WALL IF REQUIRED FOR TEMPORARY OPENING'S CLOSURE

NOTE 7: S1 IS SERVICE ELEVATOR AND ENTRY TO BE INSTALLED WITH ABOVE-GRADE TOWER. PROVIDE 2 HR SHWTF WALL IF REQUIRED FOR TEMPORARY OPENING'S CLOSURE

NOTE:
THE "JUDGE DOYLE PODIUM" SET HAS A SIMILAR NUMBERING SYSTEM RELATIVE TO THE "JUDGE DOYLE SQUARE - NEW MUNICIPAL PARKING FACILITY" WHICH IS INCLUDED FOR REFERENCE ONLY

6	JUDGE DOYLE PODIUM ADDENDUM 2	01/18/2019
4	ISSUED FOR PODIUM BID	12/07/2018
2	ISSUED FOR DESIGN DEVELOPMENT	09/14/2018
1	ISSUED FOR SCHEMATIC DESIGN	07/20/2018
Dwg.	Checked by	DWG

JUDGE DOYLE PODIUM
CITY OF MADISON

ARCHITECT:
lothan van hook destefano ARCHITECTURE LLC

ASSOCIATE ARCHITECT:
INSITE CONSULTING ARCHITECTS

PARKING CONSULTANT:
WALKER

STRUCTURAL ENGINEERS:
H.A. L'VORSON AND PARTNERS

MEP/P ENGINEERS:
AEI Affiliated Engineers

CIVIL ENGINEERS:
Mead & Hunt

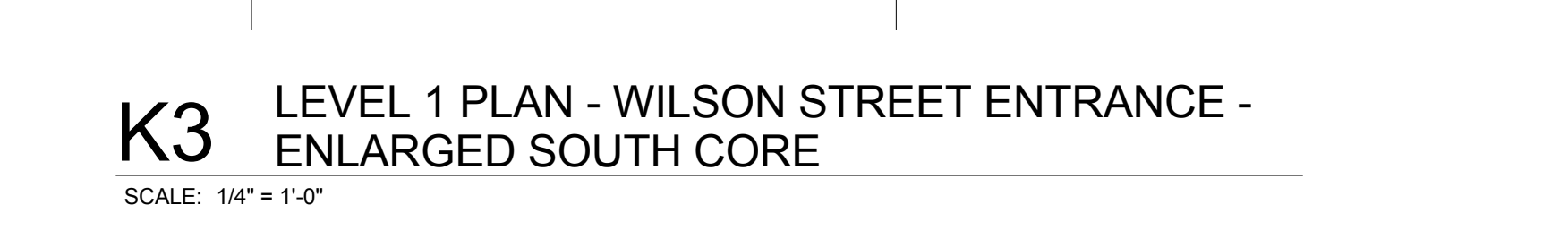
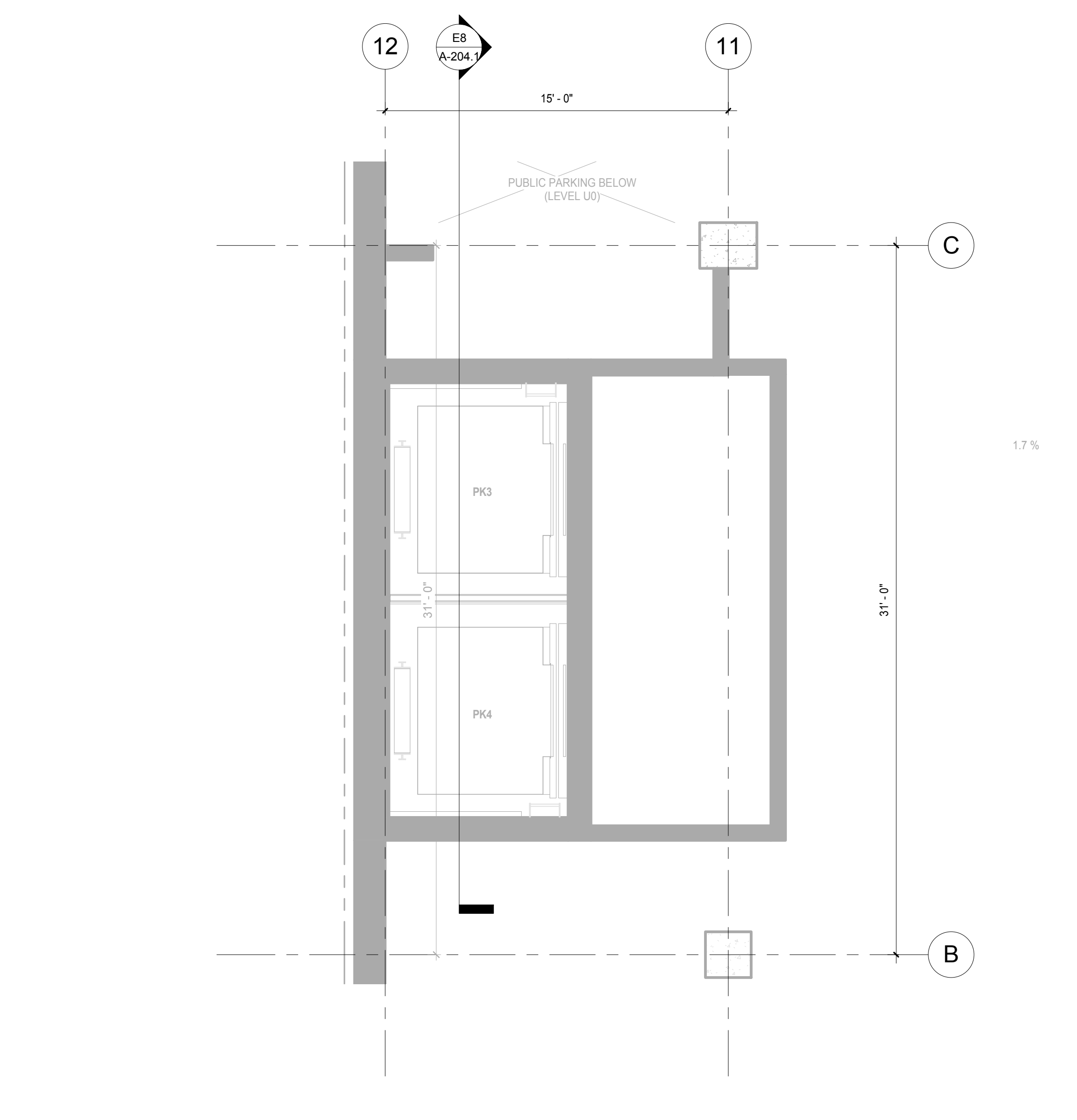
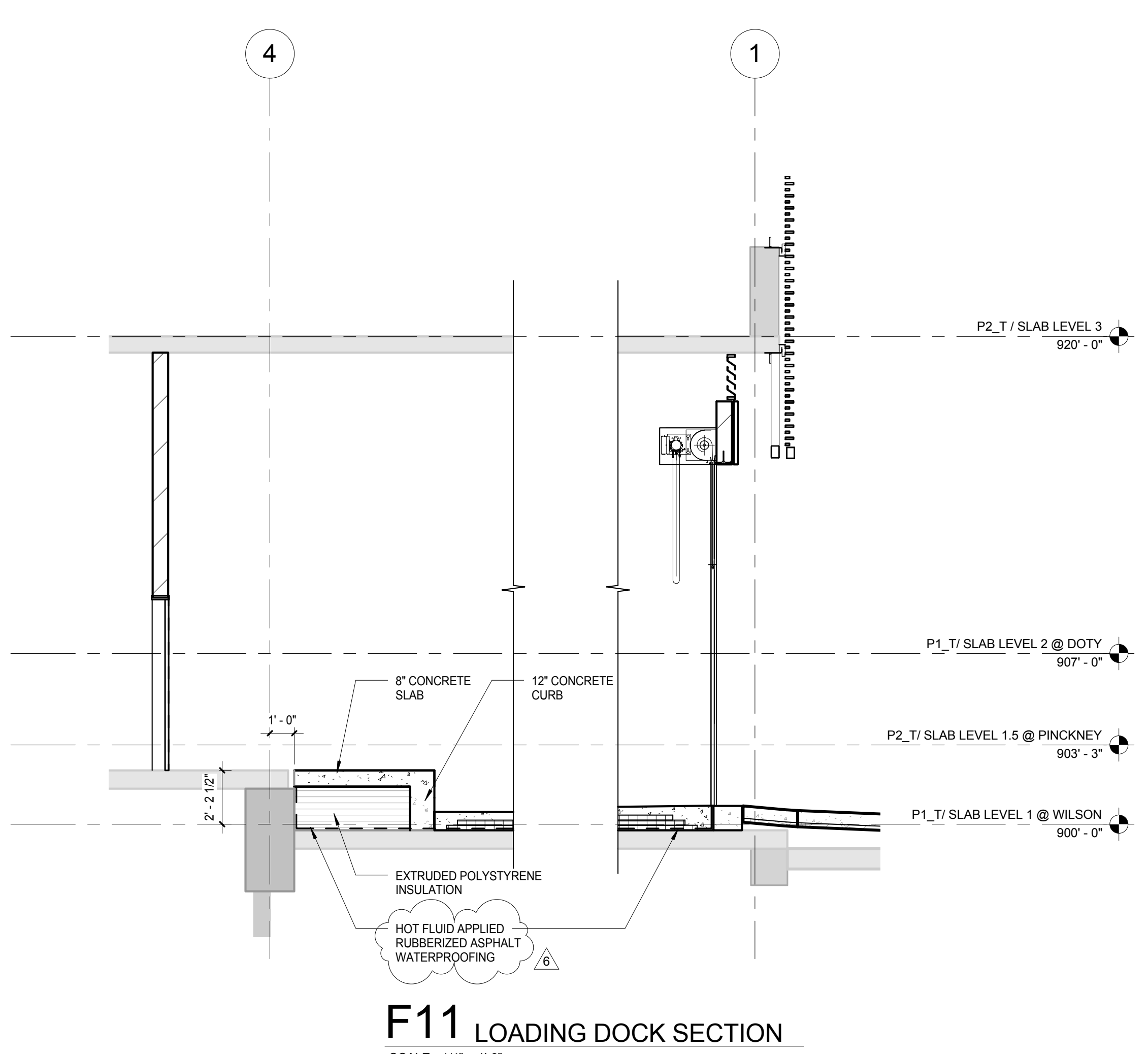
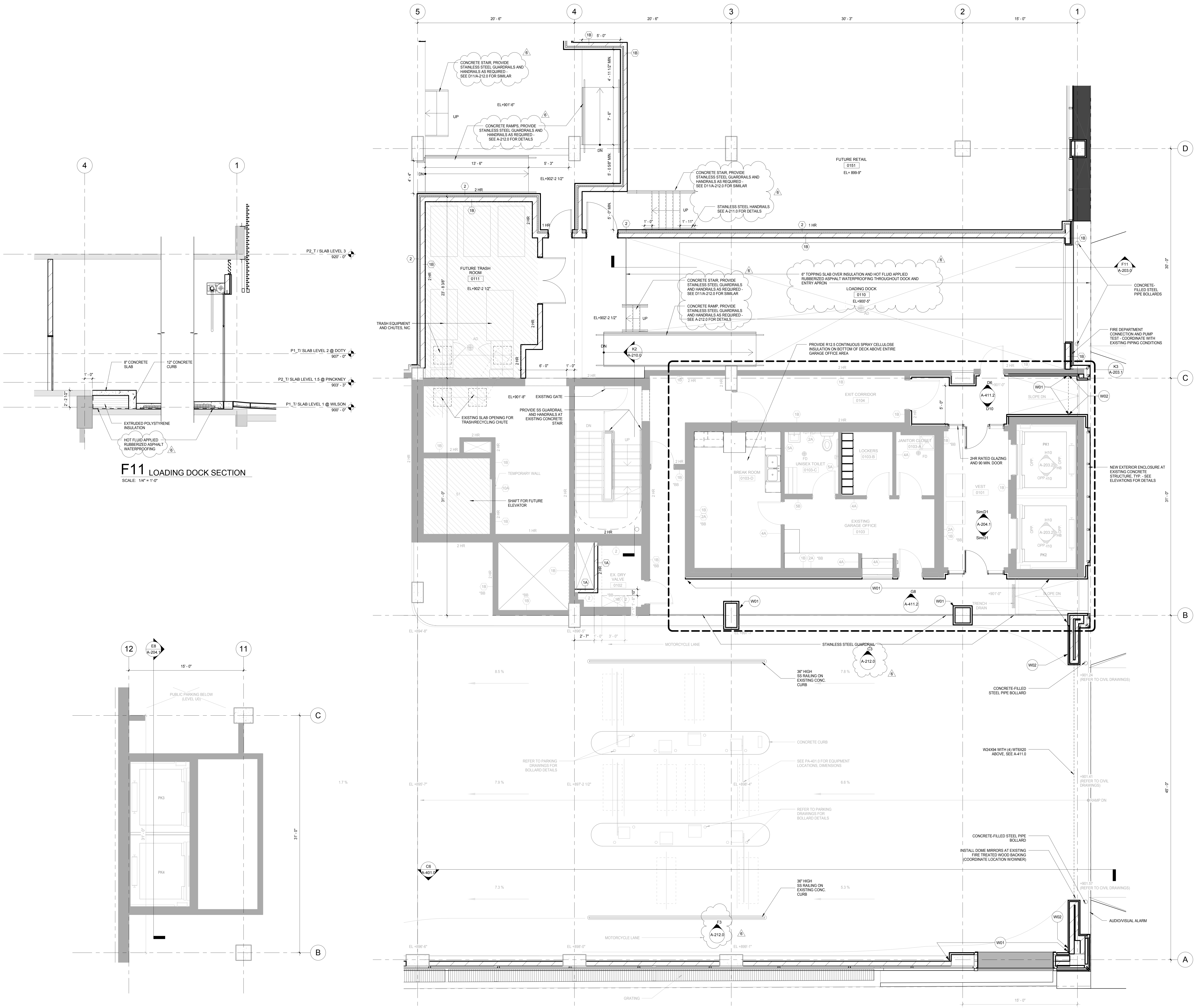
LANDSCAPE ARCHITECT:
WOLFF LANDSCAPE ARCHITECTURE

ENLARGED CORE PLANS - LEVEL 1

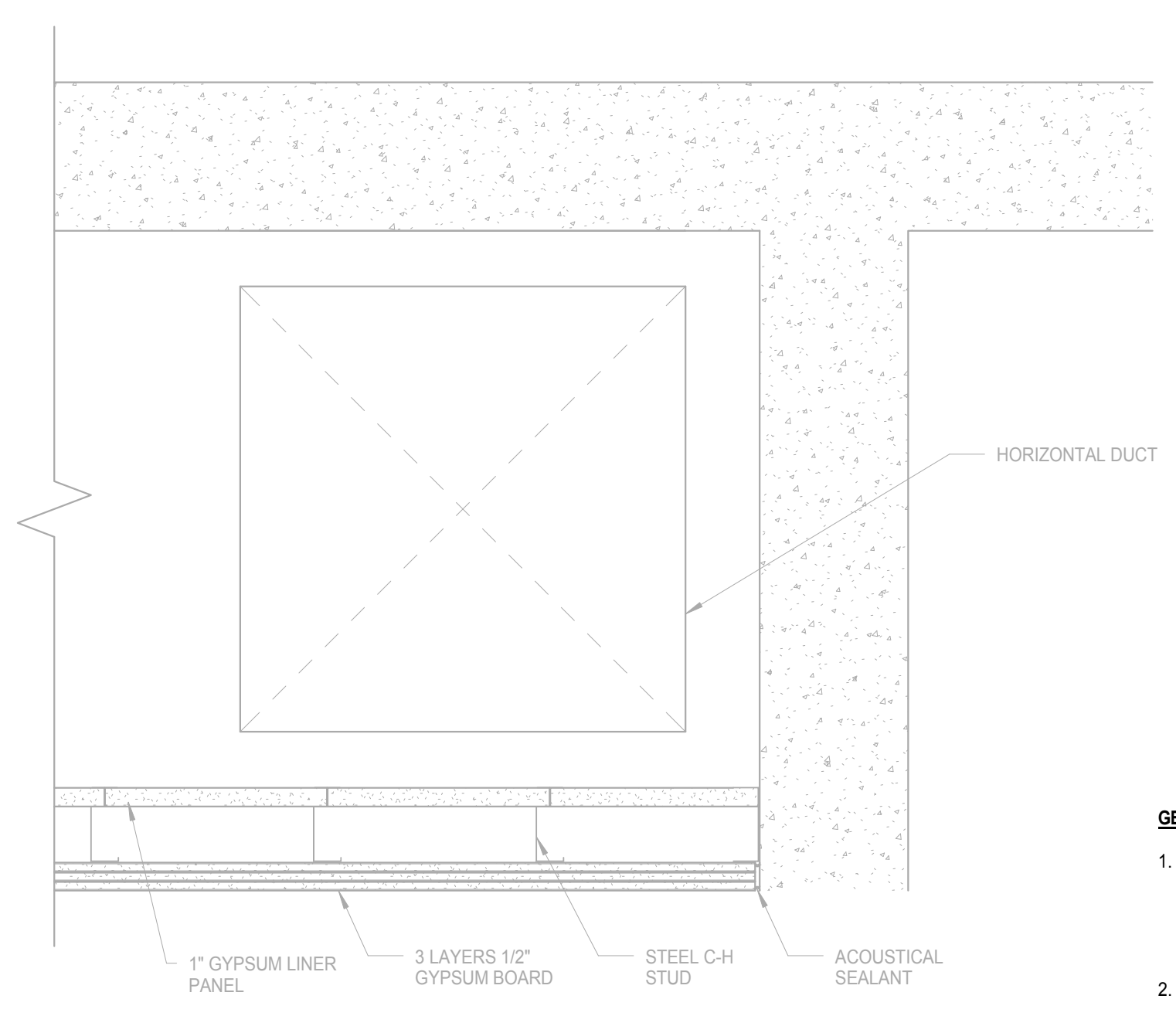
Drawing Title

Number: 1/18/2019 43233 PM
Checked By: Drawing Number:
Approved:
Approver:
Job Number: 217-1088

A-203.0

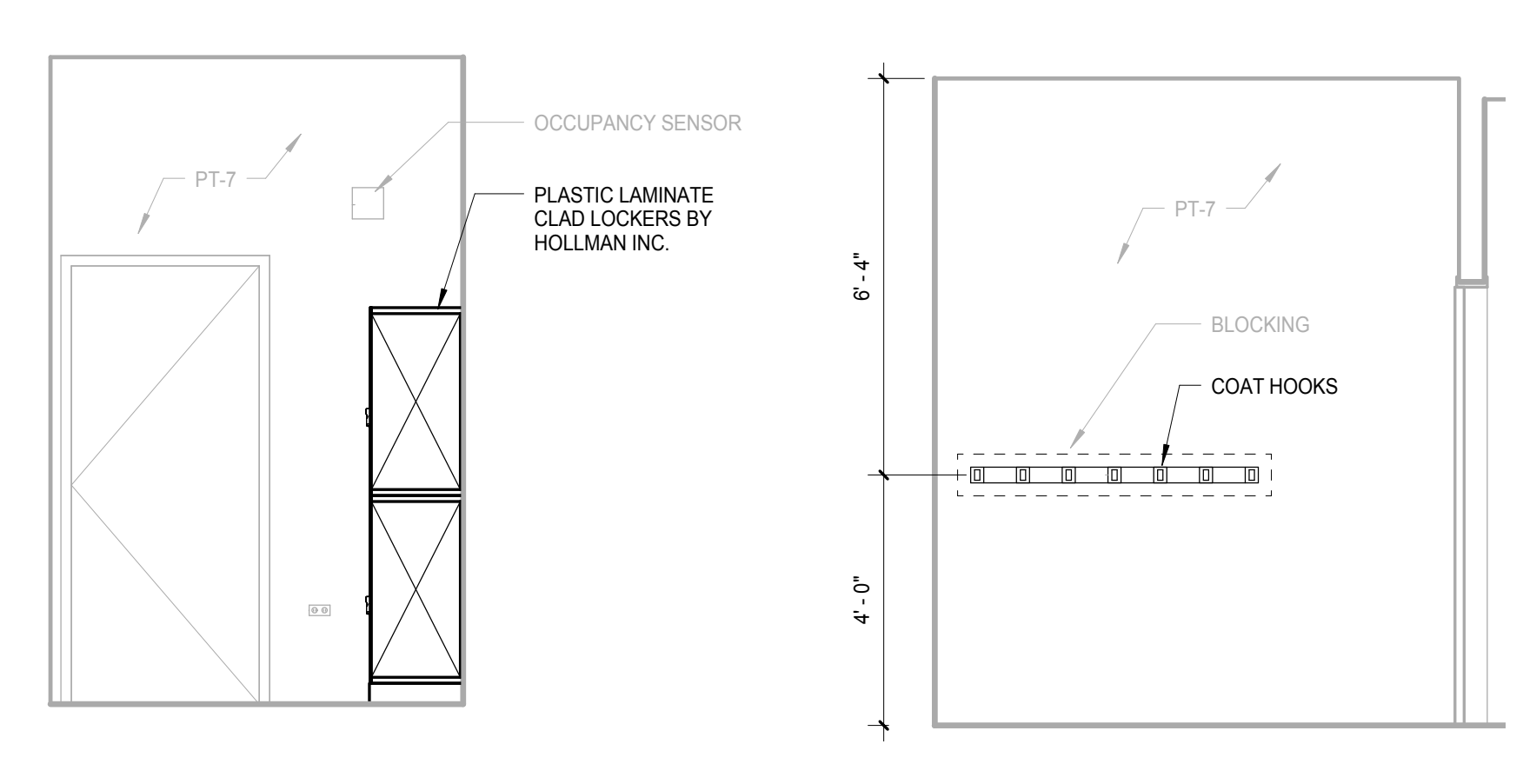


C:\Users\administrator\Documents\Judge Doyle Square - Madison Podium_1.mxd
1/18/2019 4:52:23 PM

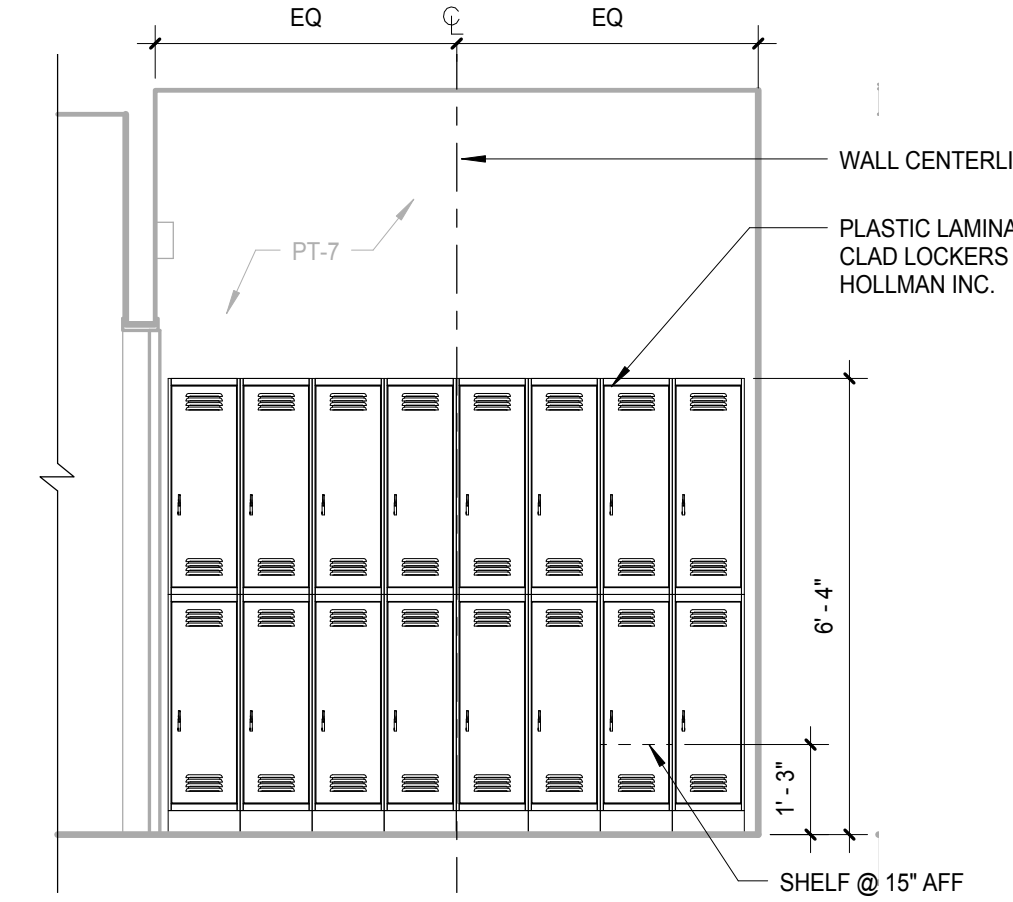


B10 2 HR RATED SOFFIT
SCALE: 1 1/2" = 1'-0"

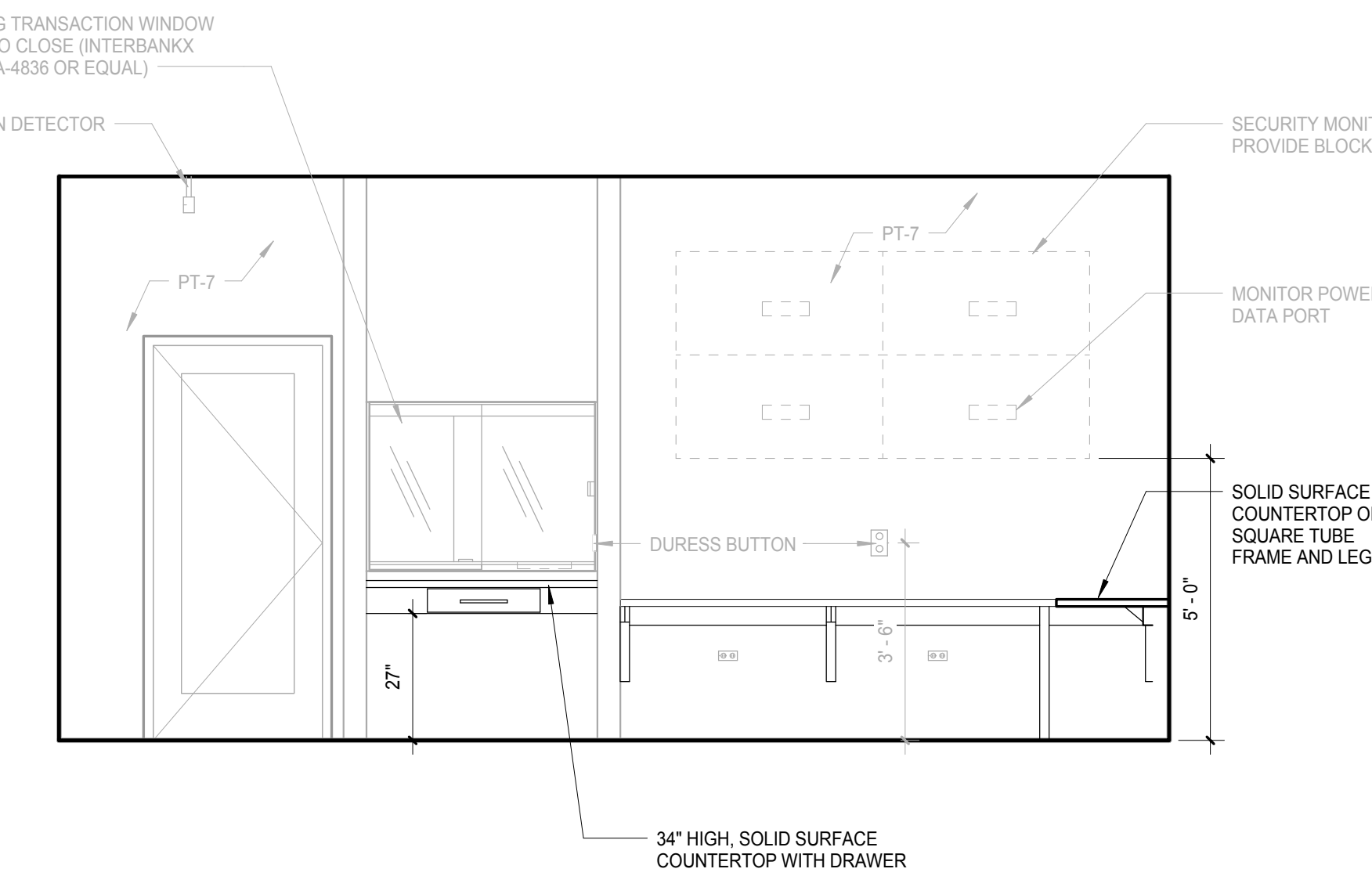
- GENERAL MILLWORK NOTES**
1. ALL MILLWORK FACES INCLUDING DOORS AND SHELVS SHALL BE FINISHED WITH PLASTIC LAMINATE AS NOTED ON ELEVATIONS AND DETAILS. INTERIOR SURFACES TO BE FINISHED WITH WHITE PLASTIC LAMINATE. DOOR BACKS AND EDGES TO MATCH FINISH OF DOOR FRONT. EDGES OF INTERIOR SHELVS SHALL HAVE WHITE PVC EDGING.
 2. ALL SURFACES TO BE LAMINATED INCLUDING VENEERS SHALL BE LAMINATED WITH THE SAME THICKNESS OF MATERIAL ON BOTH SIDES (BACKING). WHETHER VISIBLE OR NOT, PANEL AND PL WOOD BACKS NOT EXPOSED TO VIEW SHALL BE VENEERED WITH THE SAME SPECIES AND THICKNESS OF VENEER USED FOR THE FACES FOR BALANCED CONSTRUCTION.
 3. PROVIDE ADEQUATE CONCEALED BLOCKING IN PARTITIONS FOR ALL CABINETS.
 4. ALL WOODWORK SHALL HAVE A FINE, SMOOTH FINISH, FREE FROM MACHINE OR TOOL MARKS, ABRASIONS OR RAISED GRAIN ON EXPOSED SURFACES AND JOINTS SHALL BE TIGHT AND SO FORMED AS TO CONCEAL SHRINKAGE. MITERS 4" OR MORE FROM HEEL TO POINT SHALL BE GLED AND FEATHERED (LOCKED) SPLICED AND DOWELED. TENONS AND DOWELS SHALL BE OF HARDWOOD AND SPACED NOT LESS THAN 2" ON CENTER. JOINTS SHALL BE MADE WITH WATER-RESISTANT GLUE BE FULLY ASSEMBLED IN THE SHOP AND LARGELY A UNIT AS PRACTICAL, THEN DELIVERED AND INSTALLED.
 5. SCREW AND GLUE ALL JOINTS AND CONNECTIONS. NO NAILING PERMITTED.
 6. ALL HIGH-PRESSURE PLASTIC LAMINATE WORK SHALL BE SOLID IN ONE PIECE AND WITHOUT SPICES. JOINTS EXCEPT WHERE PROHIBITED BY THE MAXIMUM AVAILABLE SIZE OF THE MANUFACTURED PLASTIC LAMINATE MATERIALS. ALL EDGES AND EXPOSED CORNERS TO BE FINELY JOINED. UNSIGHTLY JOINTS, INK, SCRATCHES, CHIPS, DEFECTS, CALL OR UNEVEN LAMINATION WILL BE REJECTED. IF JOINTS ARE REQUIRED DUE TO LENGTH OF UNIT, JOINTS TO BE CENTERED SYMMETRICALLY OVER THE LENGTH OF THE UNIT OR WHERE INDICATED ON PLAN OR ELEVATION.
 7. CONTRACTOR TO CLEAN, POLISH, AND TOUCH UP AS REQUIRED ALL MILLWORK AFTER THE INSTALLATION IS COMPLETE.
 8. CABINET HARDWARE: PULLS TO BE 4" WIDE PULL WITH BRUSH SS FINISH AND DRAWER GLIDES TO BE HEAVY DUTY. FULL EXTENSION ACCURATE GLIDES OR APPROVED EQUAL.
 9. ALL MILLWORK SHALL BE PERFORMED BY SKILLED CRAFTSMEN USING THE BEST TECHNIQUES KNOWN TO THE TRADE AND IN CONFORMANCE WITH ALL TRADE STANDARDS. WOODWORK GRADE SHALL BE CUSTOM AS DEFINED BY AMERICAN WOODWORK INSTITUTE.
 10. THE CONTRACTOR SHALL CHECK AND VERIFY ALL DIMENSIONS AND CONDITIONS AT JOB SITE AND SHALL BE RESPONSIBLE FOR SAME. THE CONTRACTOR SHOULD ALSO INSPECT THE ALIGNMENT OF ALL OVP BD CONSTRUCTION AND SHOULD NOTIFY ARCHITECT OF ANY CONDITION THAT WOULD PREVENT HIMMER FROM COMPLETING THE WORK.



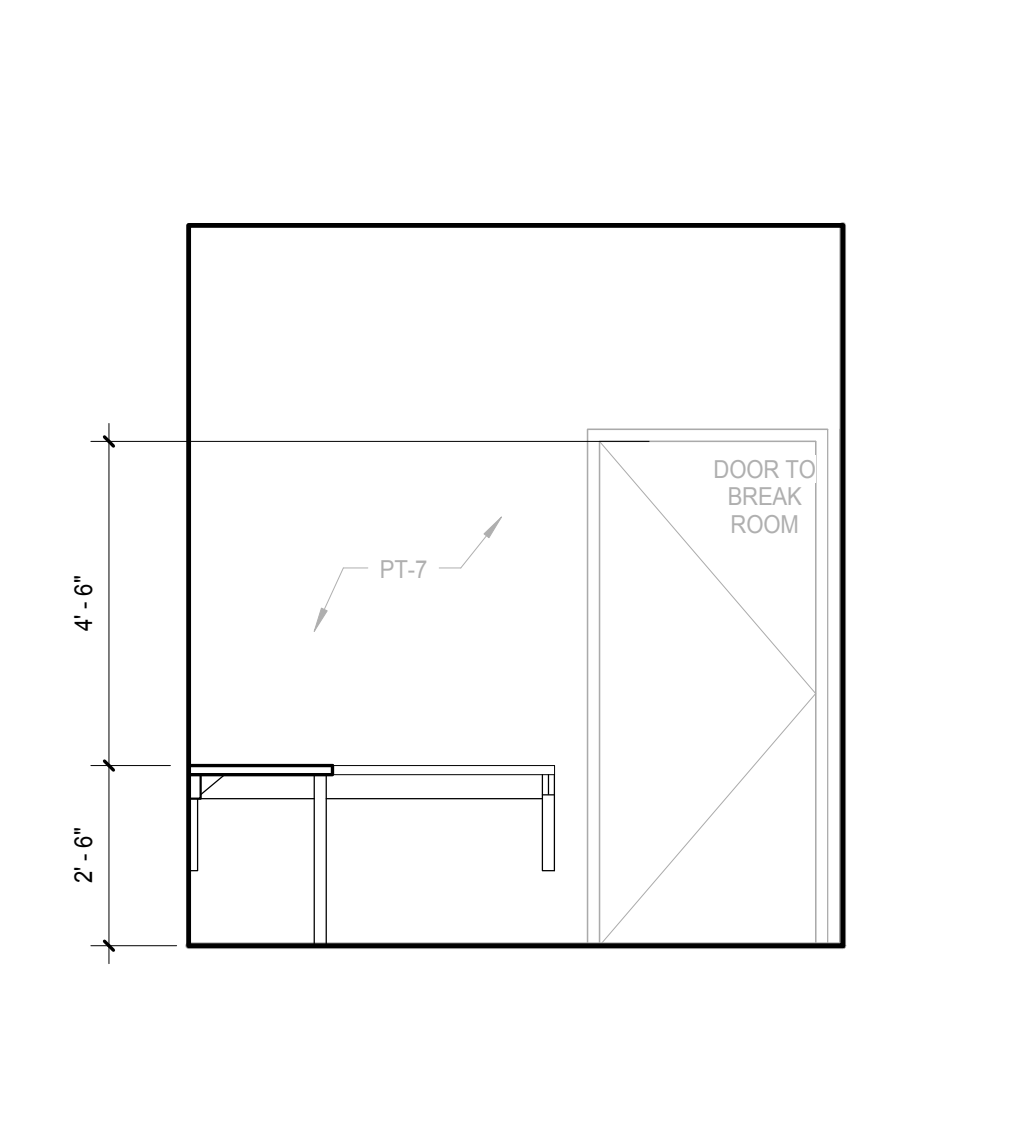
D12 LOCKERS WEST ELEVATION SCALE: 3/8" = 1'-0"
D10 LOCKERS SOUTH ELEVATION SCALE: 3/8" = 1'-0"



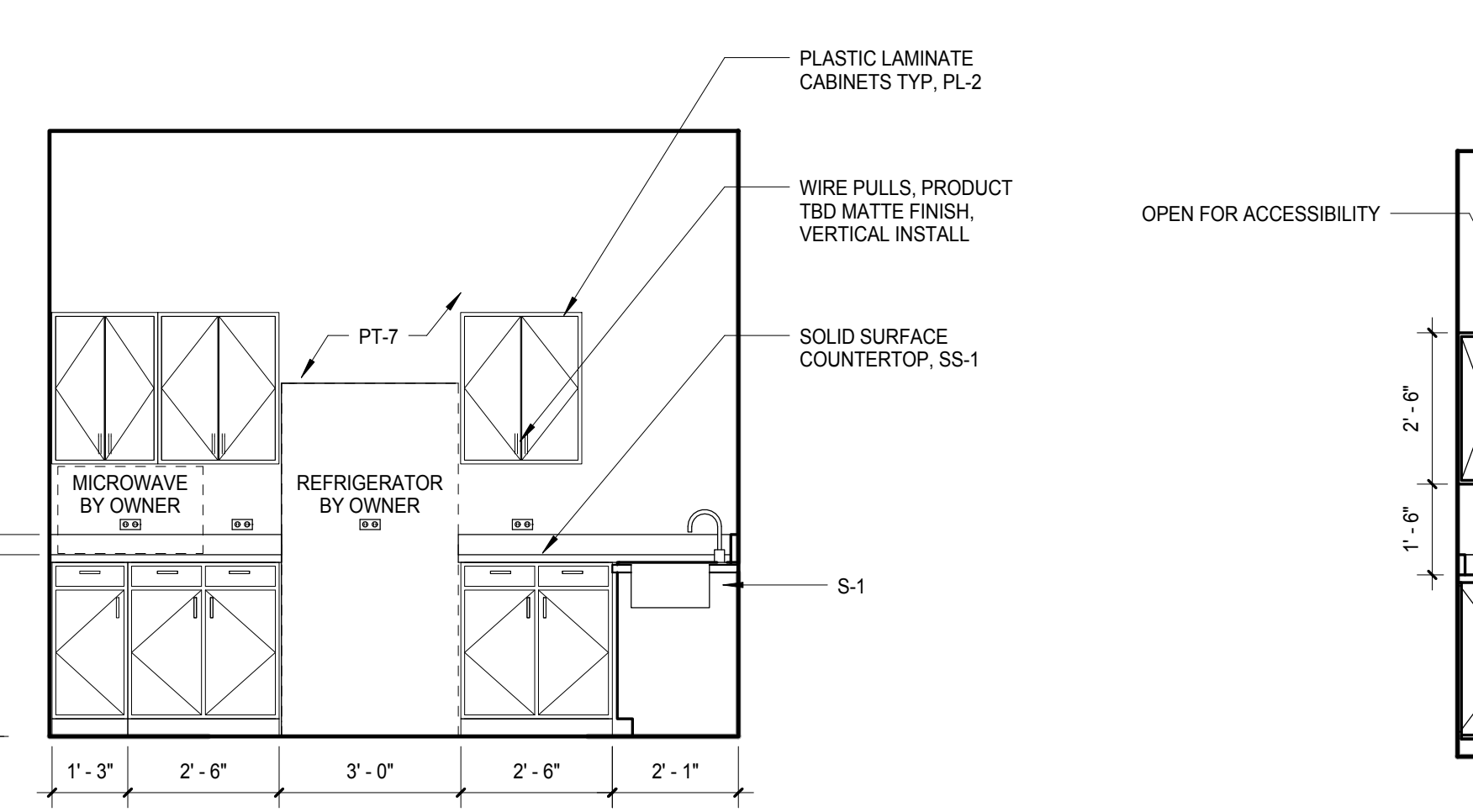
D9 LOCKERS NORTH ELEVATION SCALE: 3/8" = 1'-0"



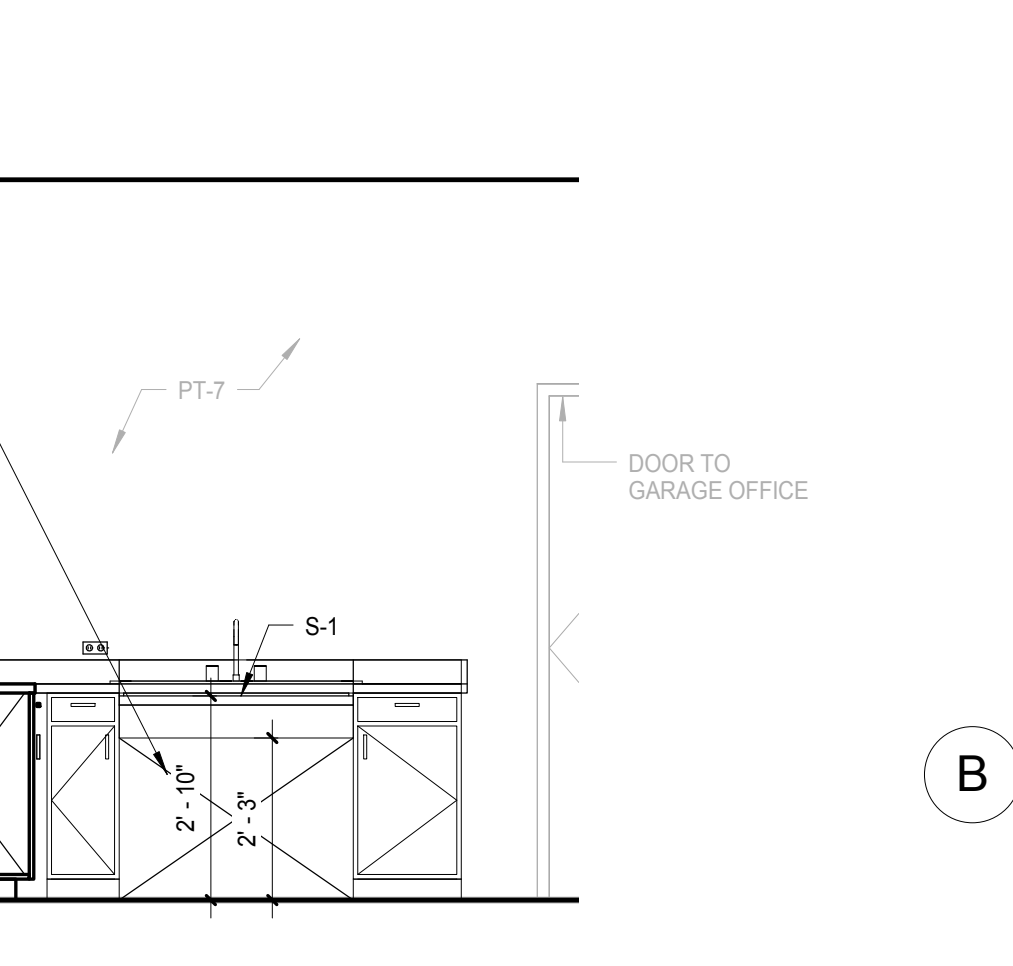
F10 GARAGE OFFICE WEST ELEVATION SCALE: 3/8" = 1'-0"



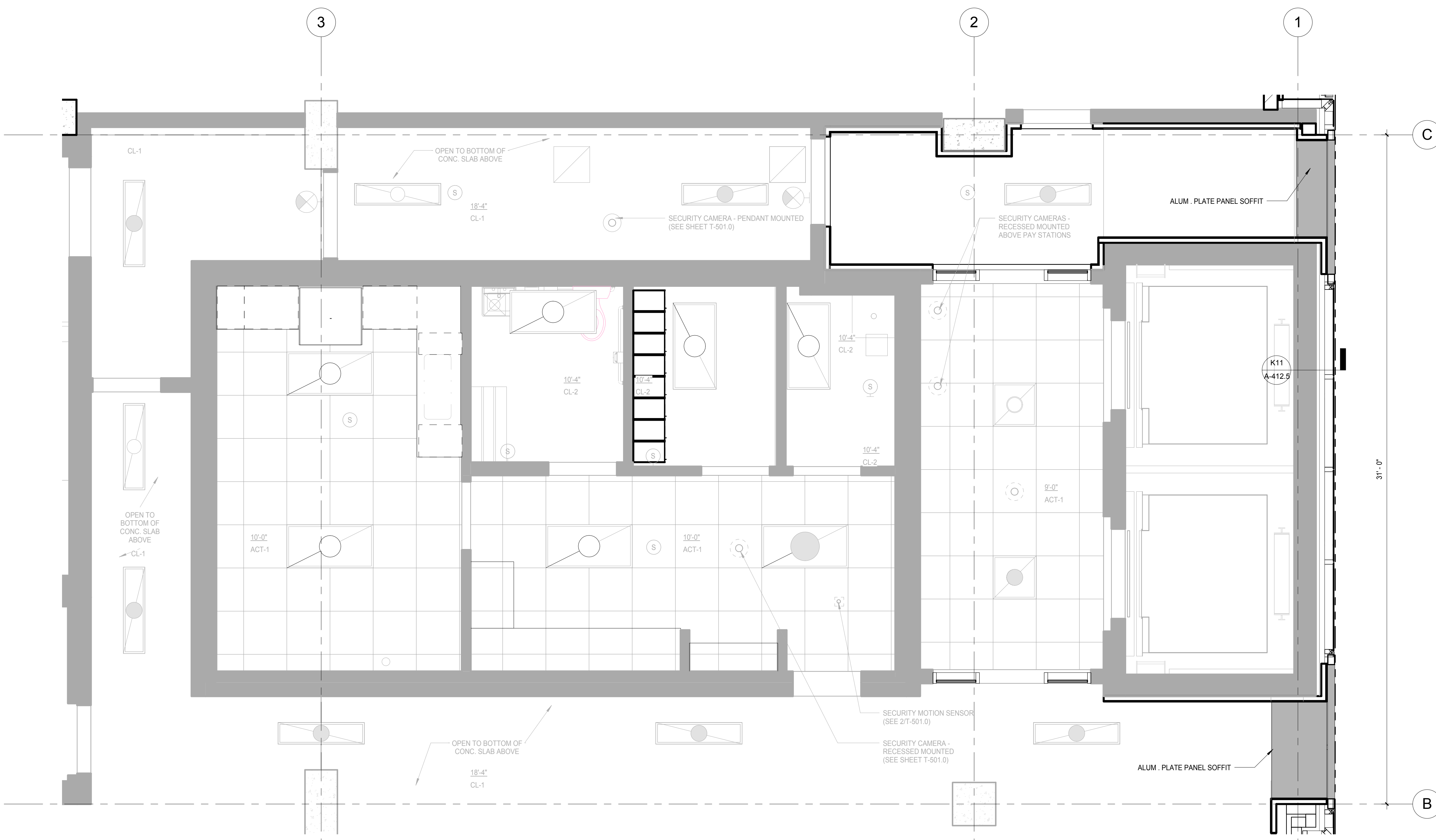
F9 GARAGE OFFICE NORTH ELEVATION SCALE: 3/8" = 1'-0"



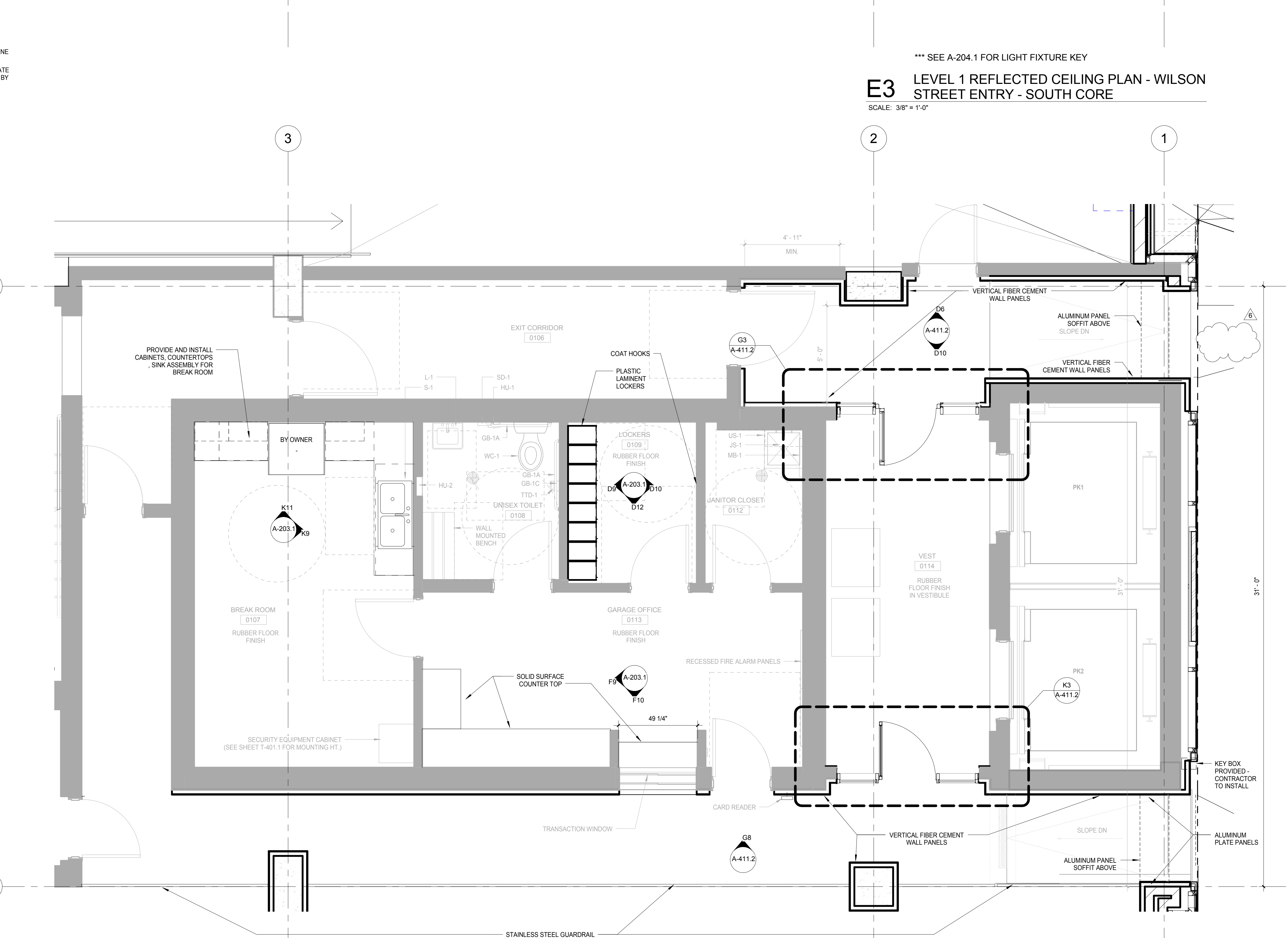
K11 BREAK ROOM EAST ELEVATION SCALE: 3/8" = 1'-0"



K9 BREAK ROOM SOUTH ELEVATION SCALE: 3/8" = 1'-0"



E3 LEVEL 1 REFLECTED CEILING PLAN - WILSON STREET ENTRY - SOUTH CORE
SCALE: 3/8" = 1'-0"



K3 LEVEL 1 PLAN - WILSON STREET ENTRANCE - SOUTH CORE FINISH PLAN
SCALE: 3/8" = 1'-0"

General Notes

- NOTES FOR FIXTURES & ACCESSORIES**
1. WC-1 WATER CLOSETS (SEE SPEC SECTION 22 40 00)
 2. L-1 LAVATORIES (SEE SPEC SECTION 22 40 00)
 3. JS-1 JANITOR'S SINK (SEE SPEC SECTION 22 40 00)
 4. S-1 SINKS (SEE SPEC SECTION 22 40 00)
 5. GB-1A HORIZONTAL GRAB BAR - 36" (SEE SPEC SECTION 10 28 00)
 6. GB-1B HORIZONTAL GRAB BAR - 42" (SEE SPEC SECTION 10 28 00)
 7. GB-1C VERTICAL GRAB BAR - 18" (SEE SPEC SECTION 10 28 00)
 8. HU-1 SANITARY DISPOSAL (SEE SPEC SECTION 10 28 00)
 9. HU-2 PAPER TOWEL DISPENSER / WASTE (SEE SPEC SECTION 10 28 00)
 10. TTD-1 TOILET PAPER DISPENSER (SEE SPEC SECTION 10 28 00)
 11. MU-1 TILTED MIRROR (SEE SPEC SECTION 10 28 00)
 12. MB-1 MOP + BROOM HOLDER (SEE SPEC SECTION 10 28 00)
 13. US-1 UTILITY SHELF (SEE SPEC SECTION 10 28 00)
 14. SD-1 SOAP DISPENSER (BORRICK B-2112)

NOTE 1: CONSTRUCTION SHOWN HALF-TONE IS EXISTING - FOR INFORMATION ONLY
NOTE 2: CONSTRUCTION SHOWN BELOW LEVEL 1 AT WILSON AND LEVEL 2 AT DOTY IS EXISTING - NO WORK TO BE DONE, UNLESS NOTED OTHERWISE

LEGEND
N.I.C. CONSTRUCTION ITEMS FOR REFERENCE ONLY - NOT IN CONTRACT - SUBJECT TO SEPARATE PERMIT

NOTE: THE "JUDGE DOYLE PODIUM" SET HAS A SIMILAR NUMBERING SYSTEM RELATIVE TO THE "JUDGE DOYLE SQUARE - NEW MUNICIPAL PARKING FACILITY" WHICH IS INCLUDED FOR REFERENCE ONLY

No.	DESCRIPTION	DATE
6	JUDGE DOYLE PODIUM ADDENDUM 2	01/18/2019
4	ISSUED FOR PODIUM BID	12/07/2018
2	ISSUED FOR DESIGN DEVELOPMENT	08/14/2018
1	ISSUED FOR DESIGN DEVELOPMENT	07/10/2018

JUDGE DOYLE PODIUM
CITY OF MADISON

ARCHITECT:
lothan van hook destefano ARCHITECTURE LLC

ASSOCIATE ARCHITECT:
INSITE CONSULTING ARCHITECTS

PARKING CONSULTANT:
WALKER

STRUCTURAL ENGINEERS:
HALVORSON AND PARTNERS

MEPP ENGINEERS:
AEI Affiliated Engineers

CIVIL ENGINEERS:
Mead & Hunt

LANDSCAPE ARCHITECT:
WOLFF LANDSCAPE ARCHITECTURE

Interior Details

Drawn: [] Date: []
 Number: 1162019.5.28.31 PM
 Checked By: [] Drawing Number: []
 Checker: []
 Approved: []
 Approver: []
 Job Number: 217-1088

A-203.1

C:\Users\lohan\Documents\Judge Doyle Square - Madison Podium_JohnVanHook\1162019.5.28.31 PM

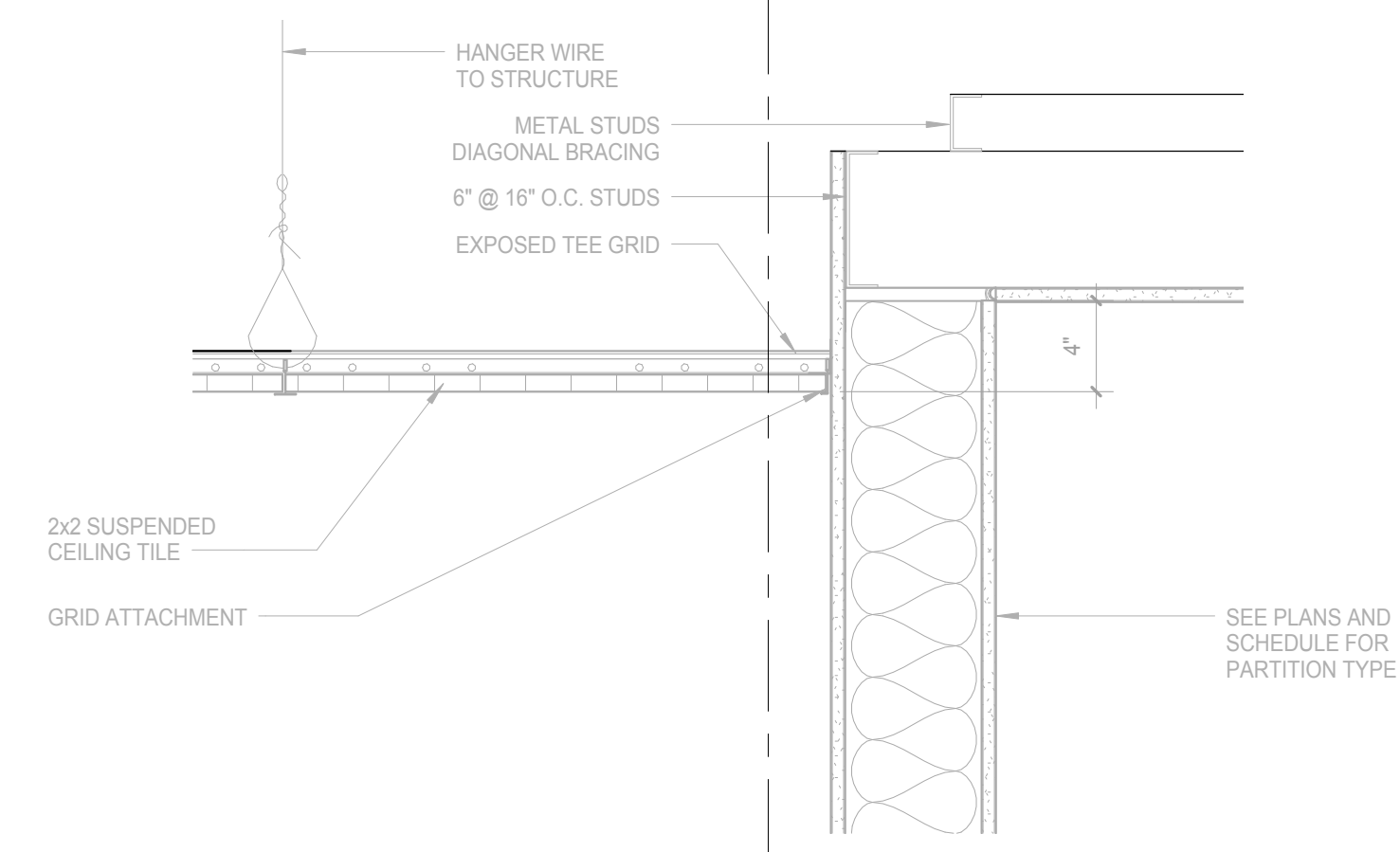
NOTES FOR FIXTURES & ACCESSORIES

1. WC-1 WATER CLOSETS (SEE SPEC SECTION 22 40 00)
2. L-1 LAVATORIES (SEE SPEC SECTION 22 40 00)
3. JS-1 JANITOR'S SINK (SEE SPEC SECTION 22 40 00)
4. S-1 SINKS (SEE SPEC SECTION 22 40 00)
5. GB-1A HORIZONTAL GRAB BAR - 36" (SEE SPEC SECTION 10 28 00)
6. GB-1B HORIZONTAL GRAB BAR - 42" (SEE SPEC SECTION 10 28 00)
7. GB-1C VERTICAL GRAB BAR - 18" (SEE SPEC SECTION 10 28 00)
8. HU-1 SANITARY DISPOSAL (SEE SPEC SECTION 10 28 00)
9. HU-2 PAPER TOWEL DISPENSER / WASTE (SEE SPEC SECTION 10 28 00)
10. TTD-1 TOILET PAPER DISPENSER (SEE SPEC SECTION 10 28 00)
11. MU-1 TILTED MIRROR (SEE SPEC SECTION 10 28 00)
12. MB-1 MOP - BROOM HOLDER (SEE SPEC SECTION 10 28 00)
13. US-1 UTILITY SHELF (SEE SPEC SECTION 10 28 00)
14. SD-1 SOAP DISPENSER (BOBRICK B-2112)

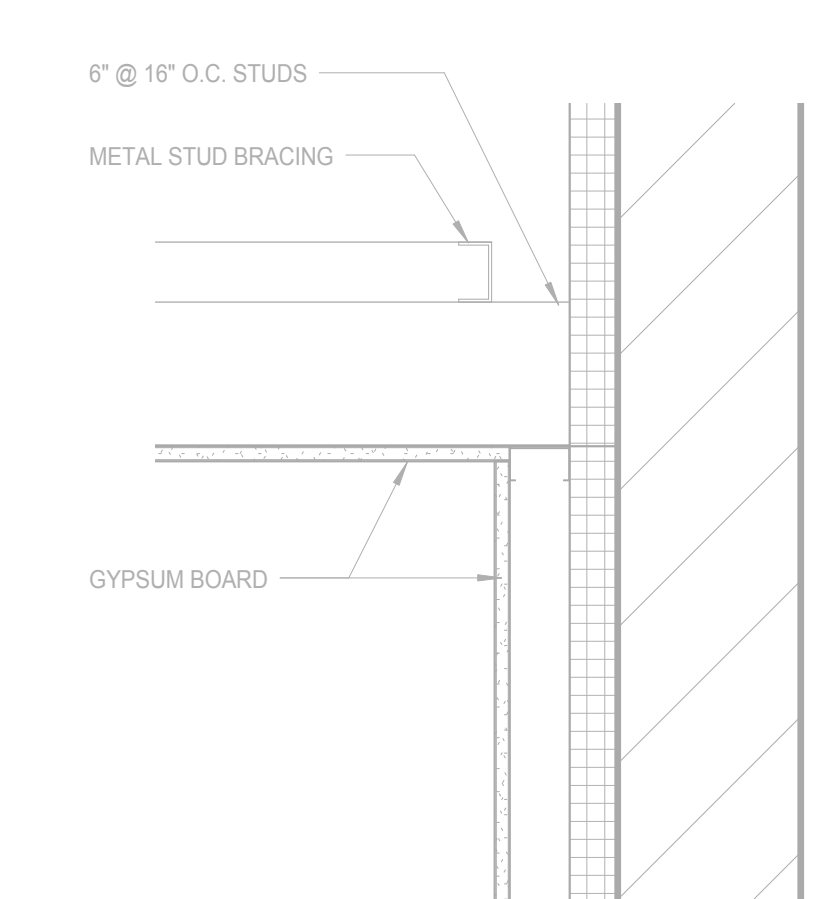
NOTE 1. CONSTRUCTION SHOWN HALF-TONE IS EXISTING - FOR INFORMATION ONLY.
 NOTE 2. CONSTRUCTION SHOWN BELOW LEVEL 1 AT WILSON AND LEVEL 2 AT DOTY IS EXISTING - NO WORK TO BE DONE, UNLESS NOTED OTHERWISE.

LEGEND
 N.I.C. CONSTRUCTION ITEMS FOR REFERENCE ONLY - NOT IN CONTRACT - SUBJECT TO SEPARATE PERMIT

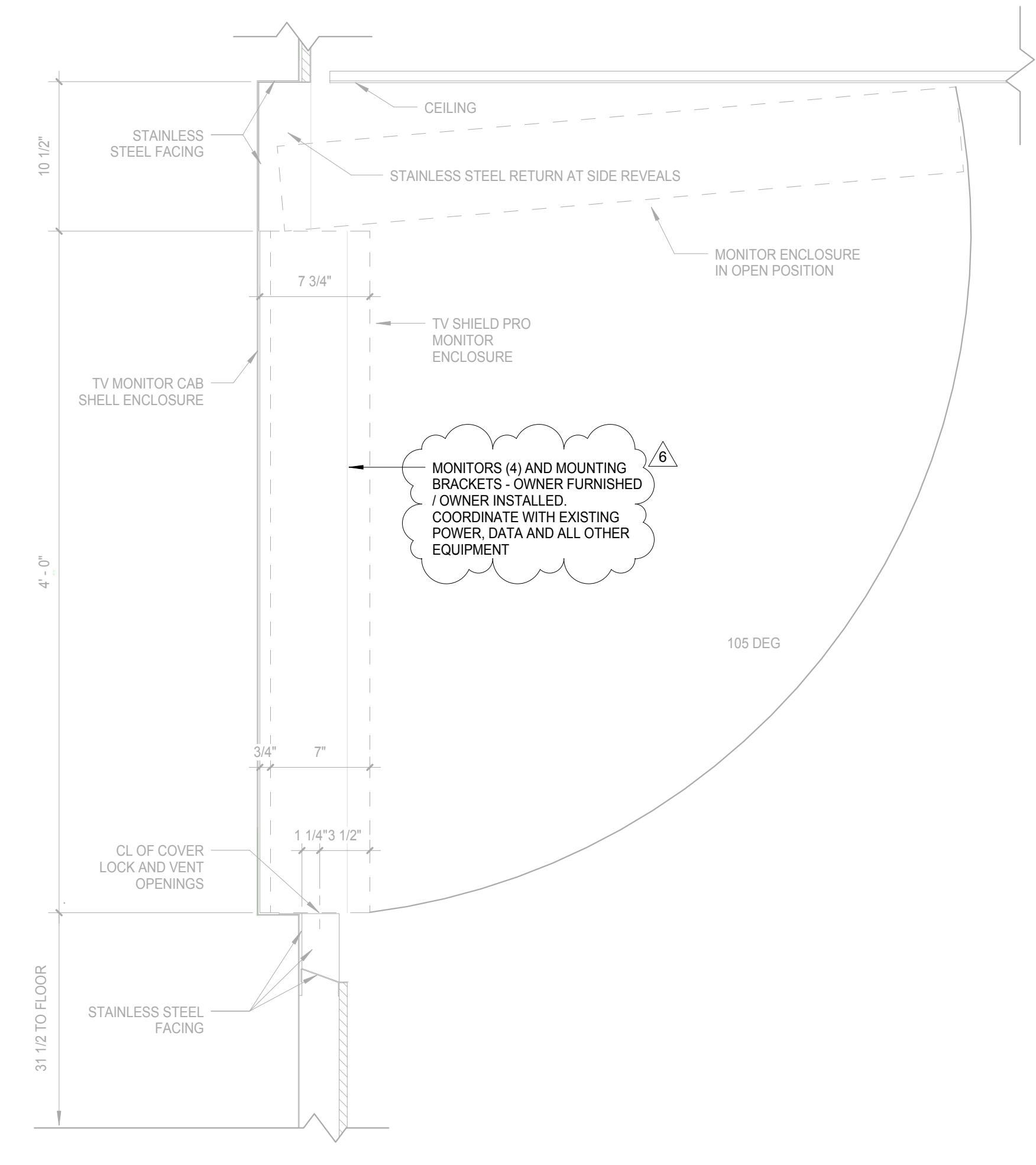
NOTE:
 THE "JUDGE DOYLE PODIUM" SET HAS A SIMILAR NUMBERING SYSTEM RELATIVE TO THE "JUDGE DOYLE SQUARE - NEW MUNICIPAL PARKING FACILITY" WHICH IS INCLUDED FOR REFERENCE ONLY



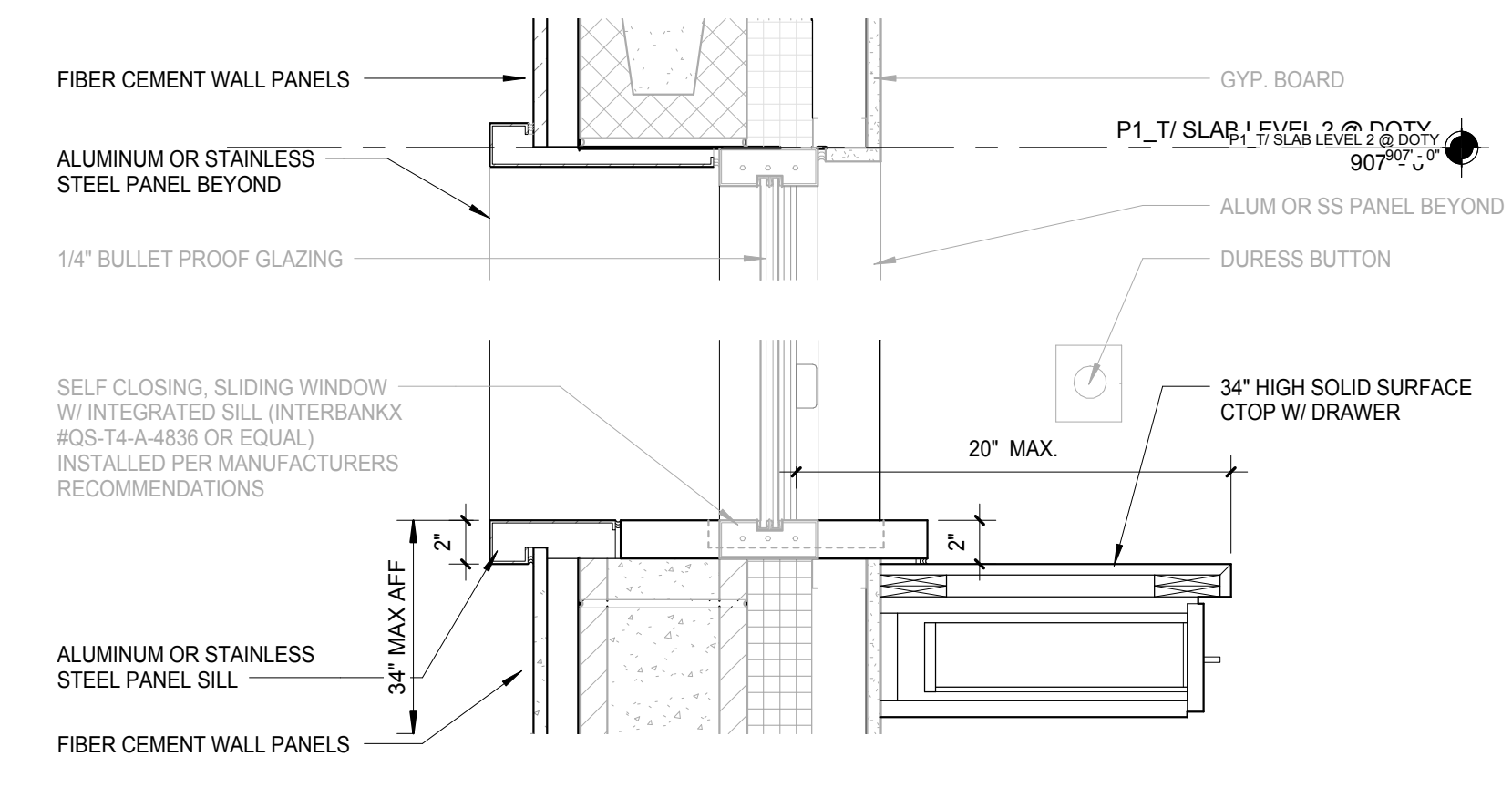
B5 GARAGE OFFICE CEILING TRANSITION DETAIL
 SCALE: 1/2" = 1'-0"



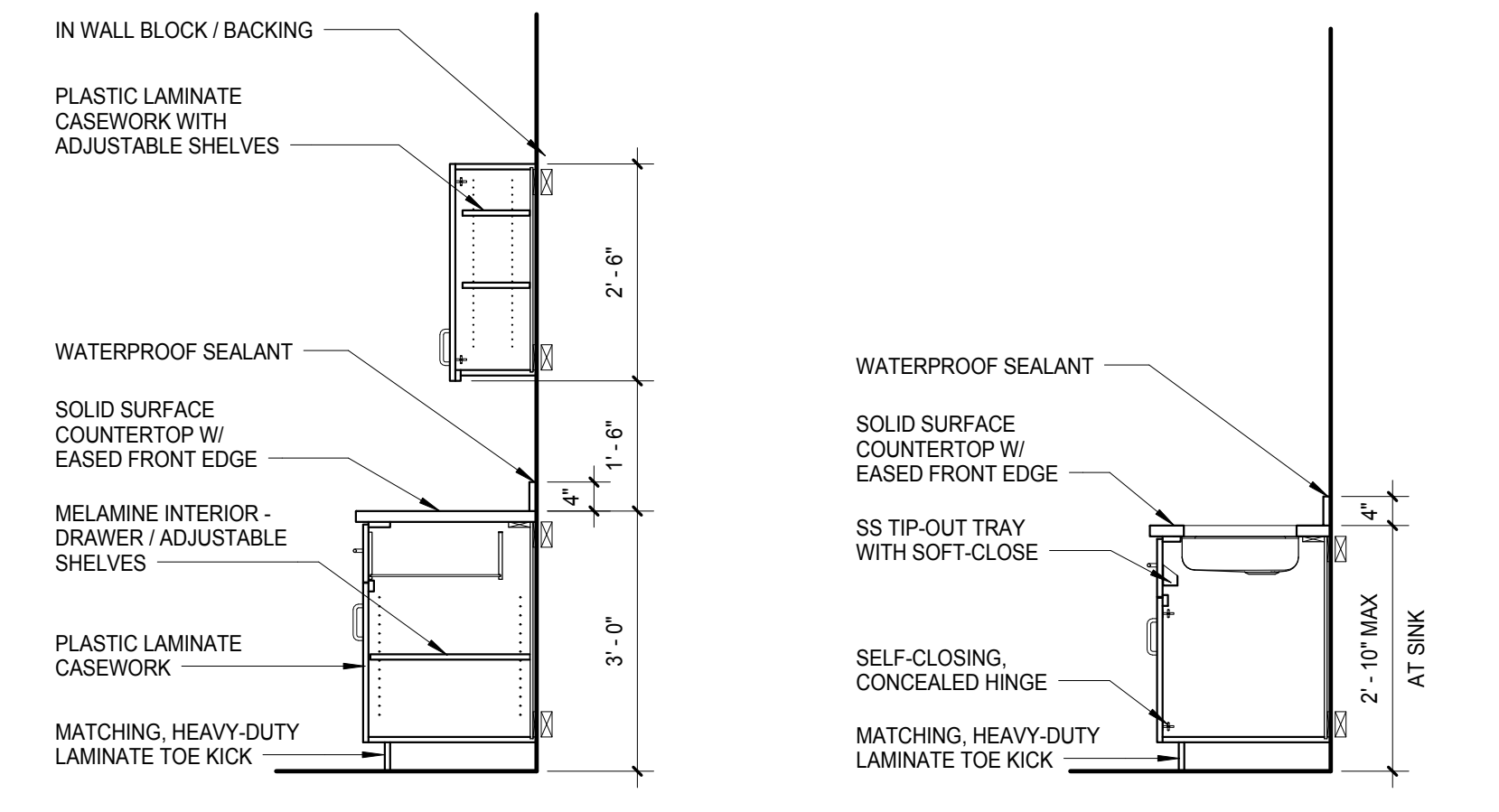
B2 GARAGE OFFICE CEILING SECTION DETAIL
 SCALE: 1/2" = 1'-0"



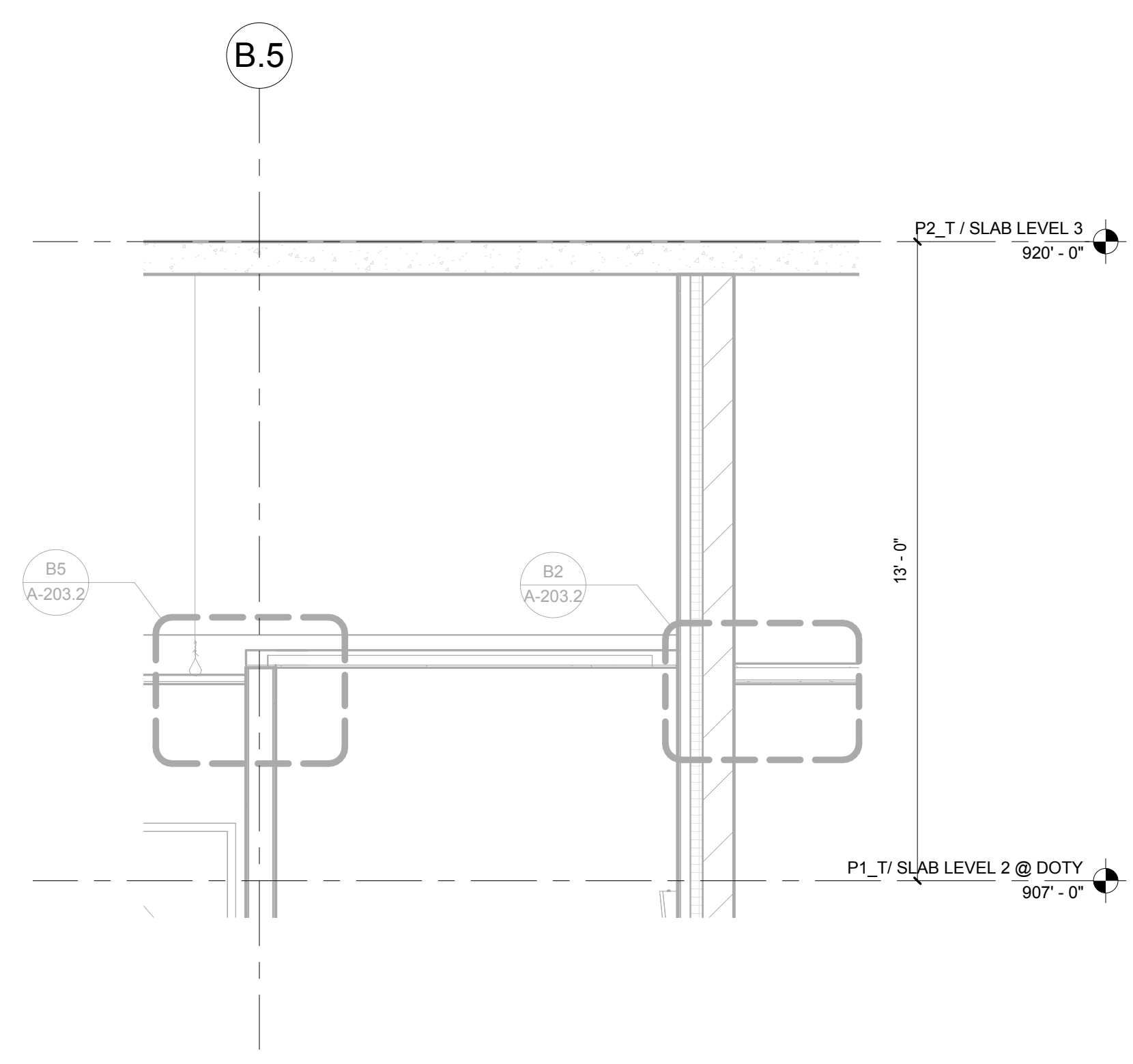
F10 SECTION - MONITOR ENCLOSURE
 SCALE: 1/2" = 1'-0"



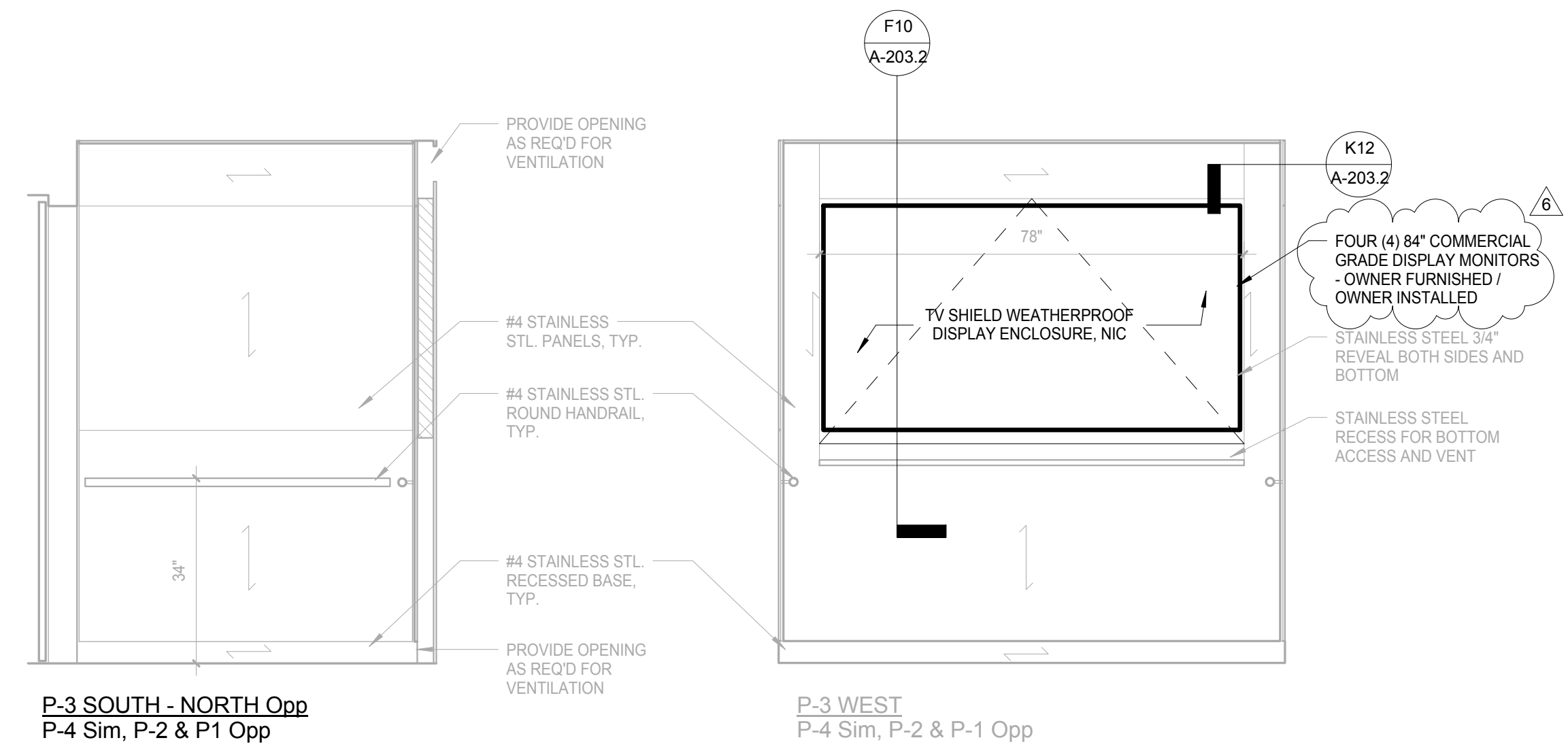
D5 TRANSACTION COUNTER HEAD/SILL DETAIL
 SCALE: 1/2" = 1'-0"



F5 MILLWORK DETAILS
 SCALE: 1/2" = 1'-0"

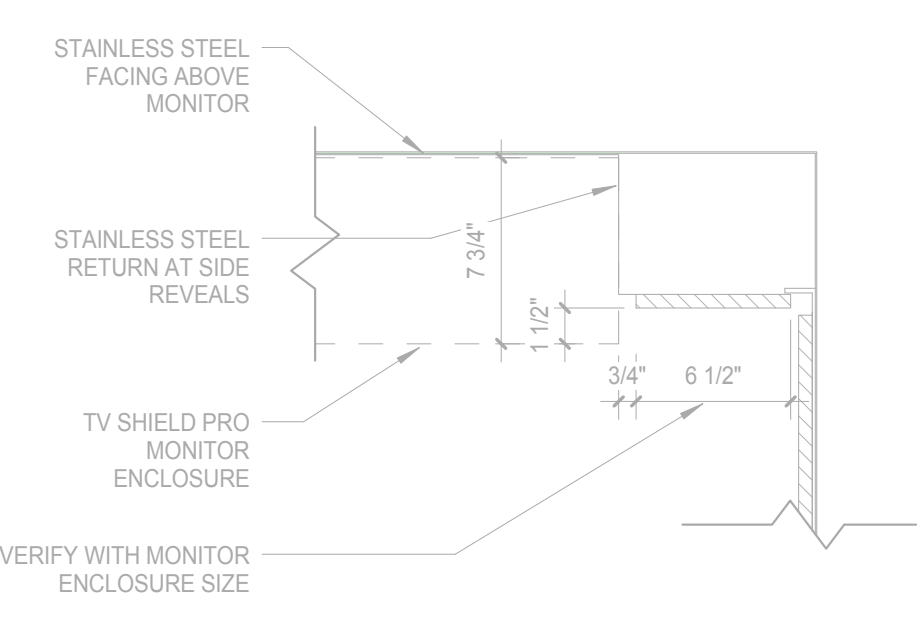


E2 GARAGE OFFICE CEILING SECTION DETAIL
 SCALE: 3/8" = 1'-0"

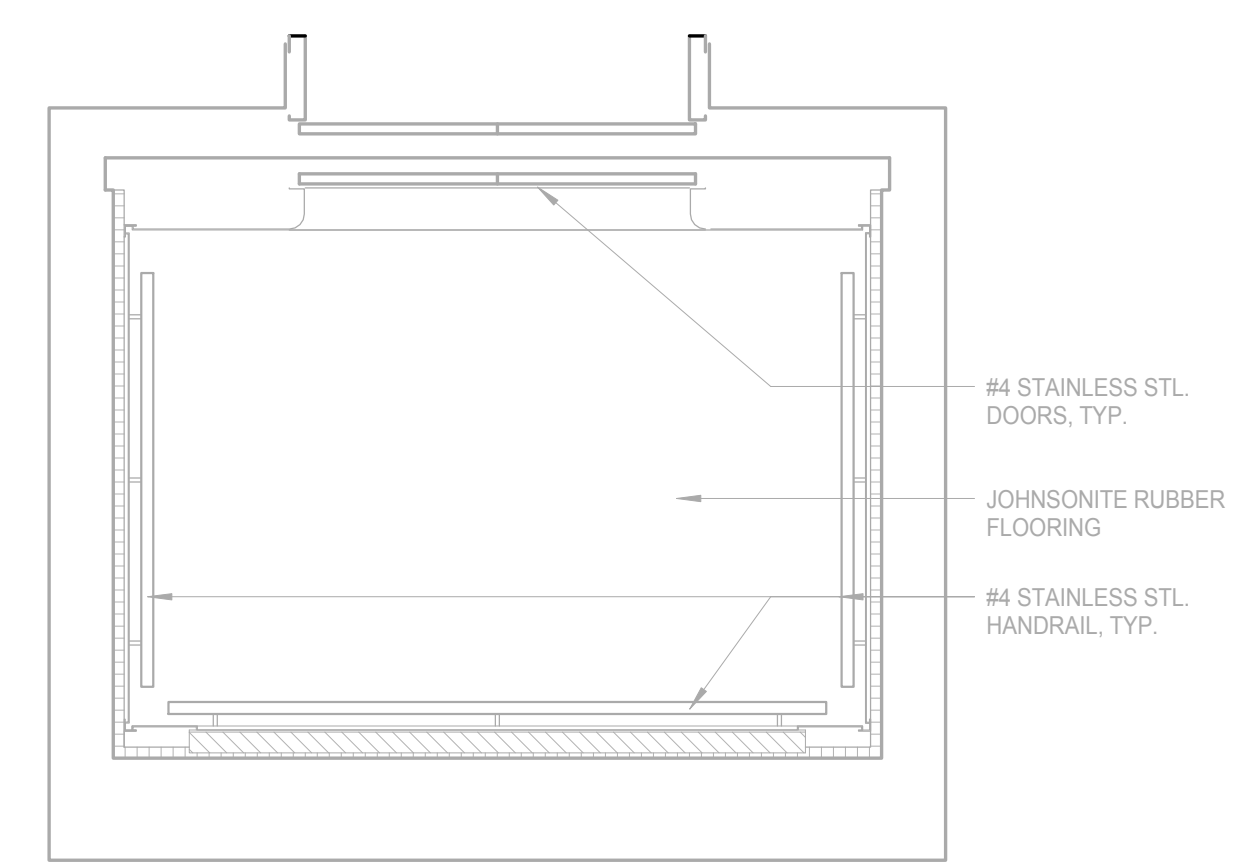


H10 TYP. PARKING ELEVATOR CAB INTERIOR ELEVATION
 SCALE: 1/2" = 1'-0"

H8 TYP. PARKING ELEVATOR CAB INTERIOR ELEVATION
 SCALE: 1/2" = 1'-0"



K12 PLAN DETAIL - MONITOR ENCLOSURE
 SCALE: 1/2" = 1'-0"



K10 TYPICAL ELEVATOR CAB FLOOR PLAN
 SCALE: 1/2" = 1'-0"

6	JUDGE DOYLE PODIUM ADDENDUM 2	01/18/2019
4	ISSUED FOR PODIUM BID	12/07/2018
2	ISSUED FOR DESIGN DEVELOPMENT	09/14/2018
No.	Description	Date

JUDGE DOYLE PODIUM
 CITY OF MADISON

ARCHITECT:
lothan van hook destefano
 ARCHITECTURE LLC

ASSOCIATE ARCHITECT:
INSITE CONSULTING ARCHITECTS

PARKING CONSULTANT:
WALKER

STRUCTURAL ENGINEERS:
HALVORSON AND PARTNERS

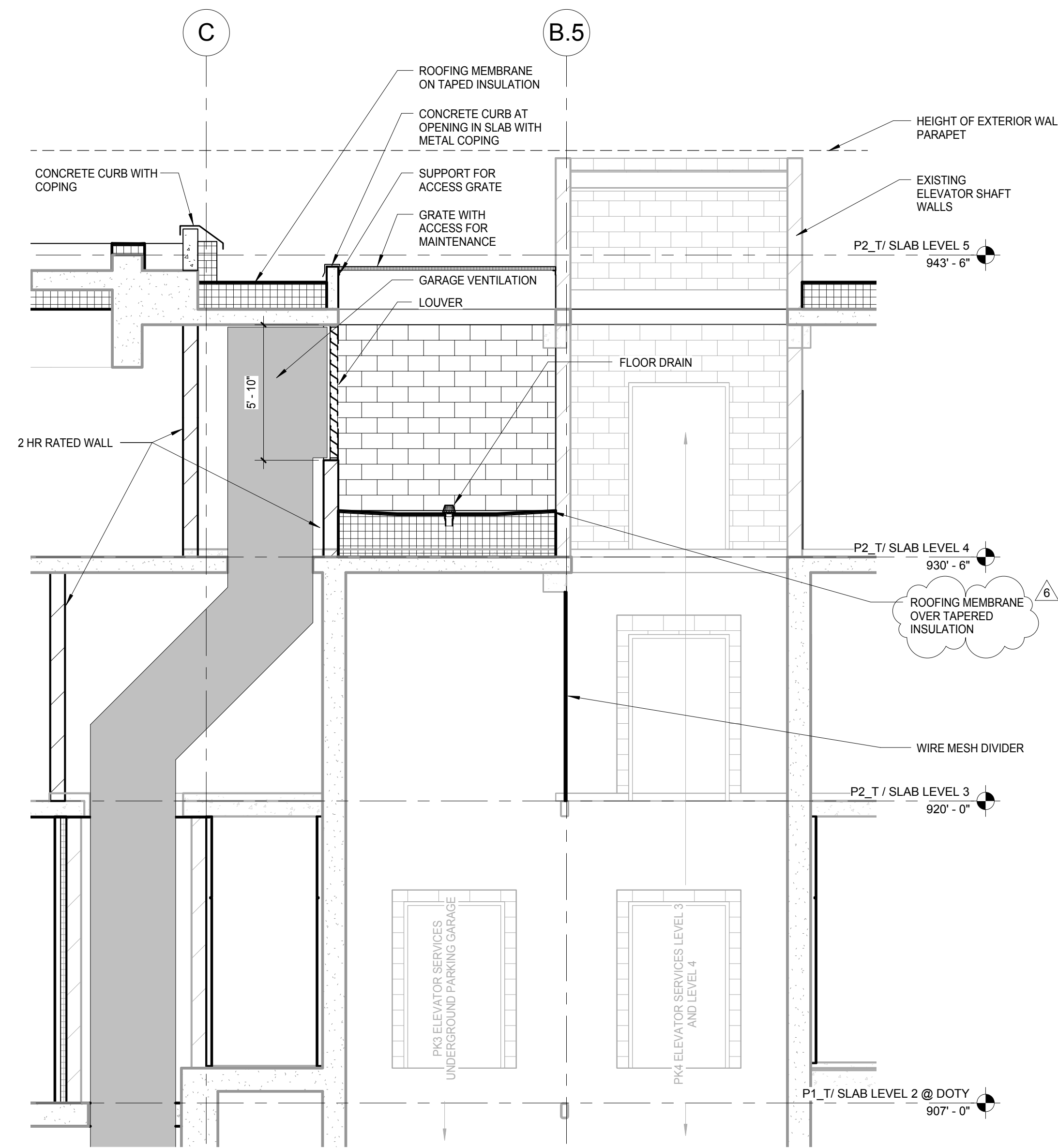
ME/FP ENGINEERS:
AEI Affiliated Engineers

CIVIL ENGINEERS:
Mead & Hunt

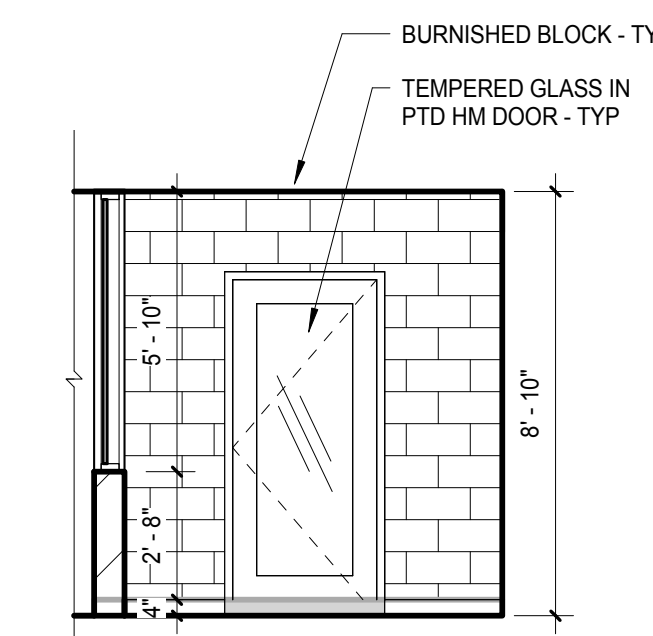
LANDSCAPE ARCHITECT:
WOLFF LANDSCAPE ARCHITECTURE
 PLANNING
 LANDSCAPE ARCHITECTURE
 URBAN DESIGN

ELEVATOR CAB ELEVATIONS AND INTERIOR DETAILS

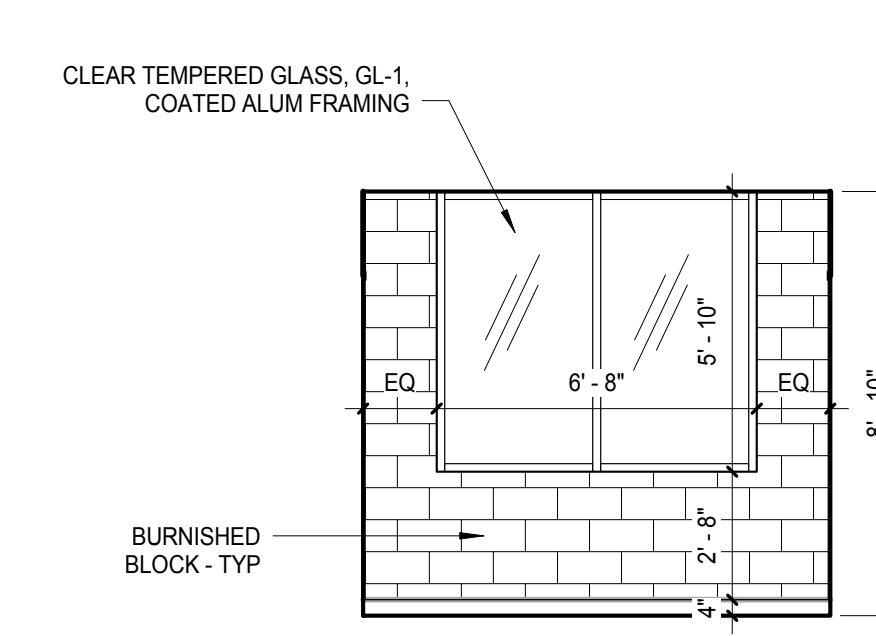
Drawn	Date
Author	1/18/2019 4:33:11 PM
Checked By	Drawing Number
Checker	
Approved	
Approver	
Job Number	A-203.2
217-1088	



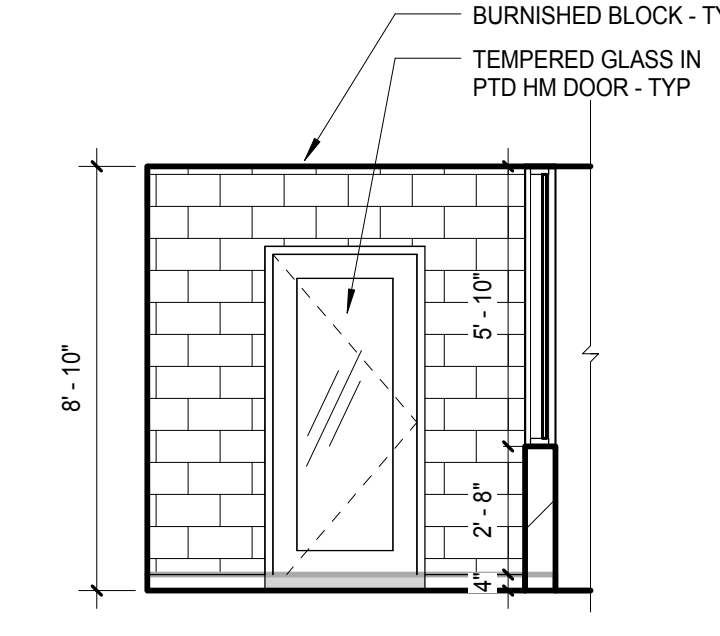
E8 PK3 AND PK4 ELEVATOR SECTION
SCALE: 1/4" = 1'-0"



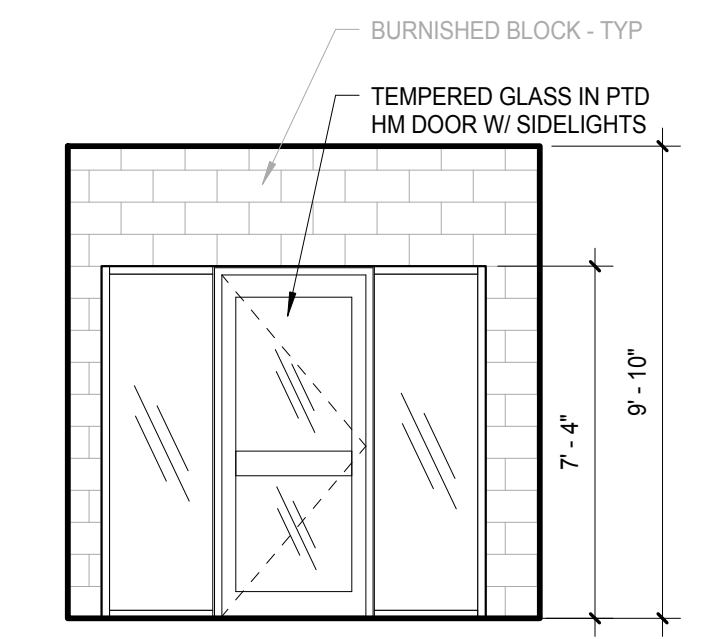
B4 TYP. VEST - WEST CORE
SCALE: 1/4" = 1'-0"



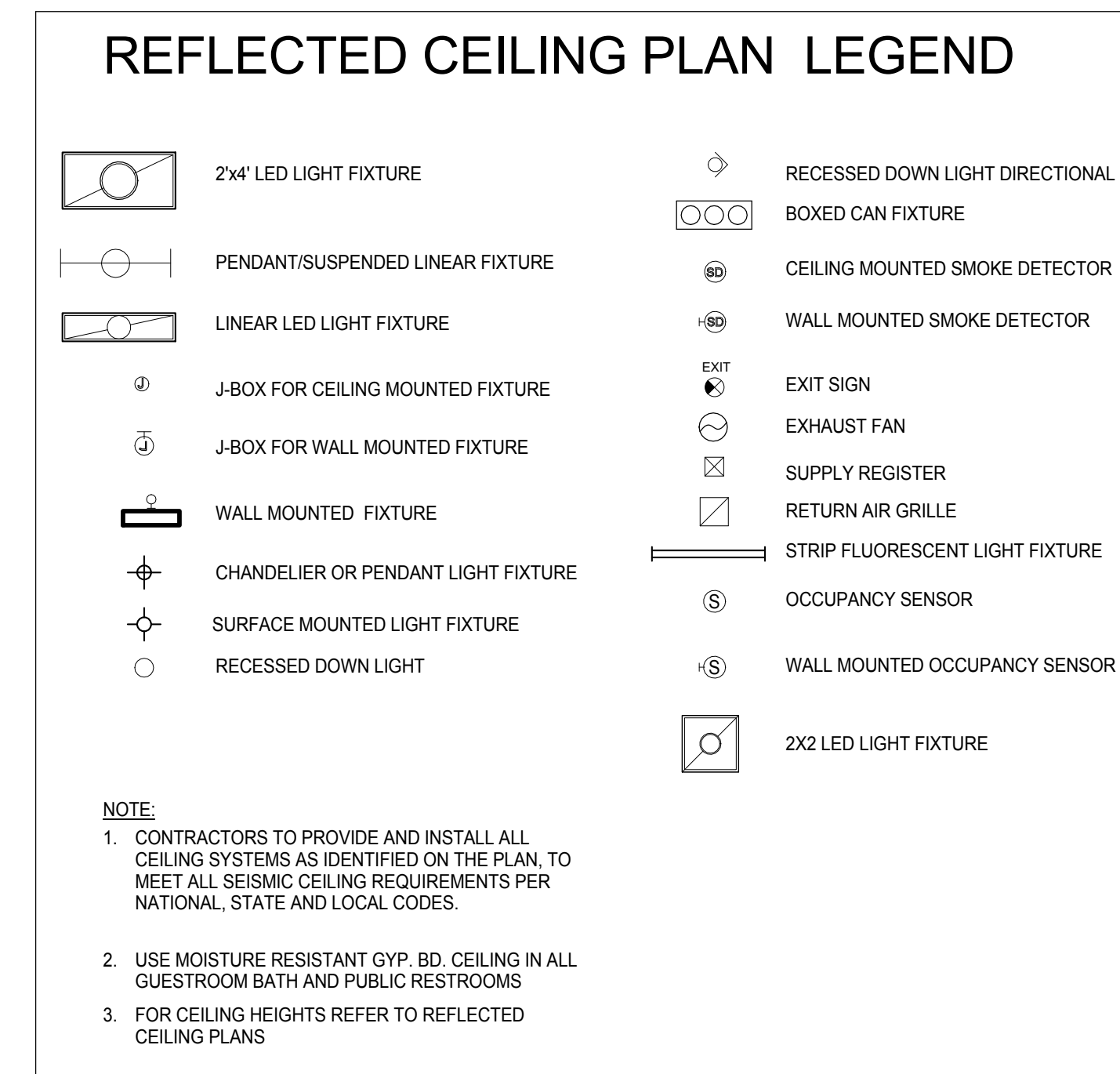
B3 TYP. VEST - WEST CORE
SCALE: 1/4" = 1'-0"



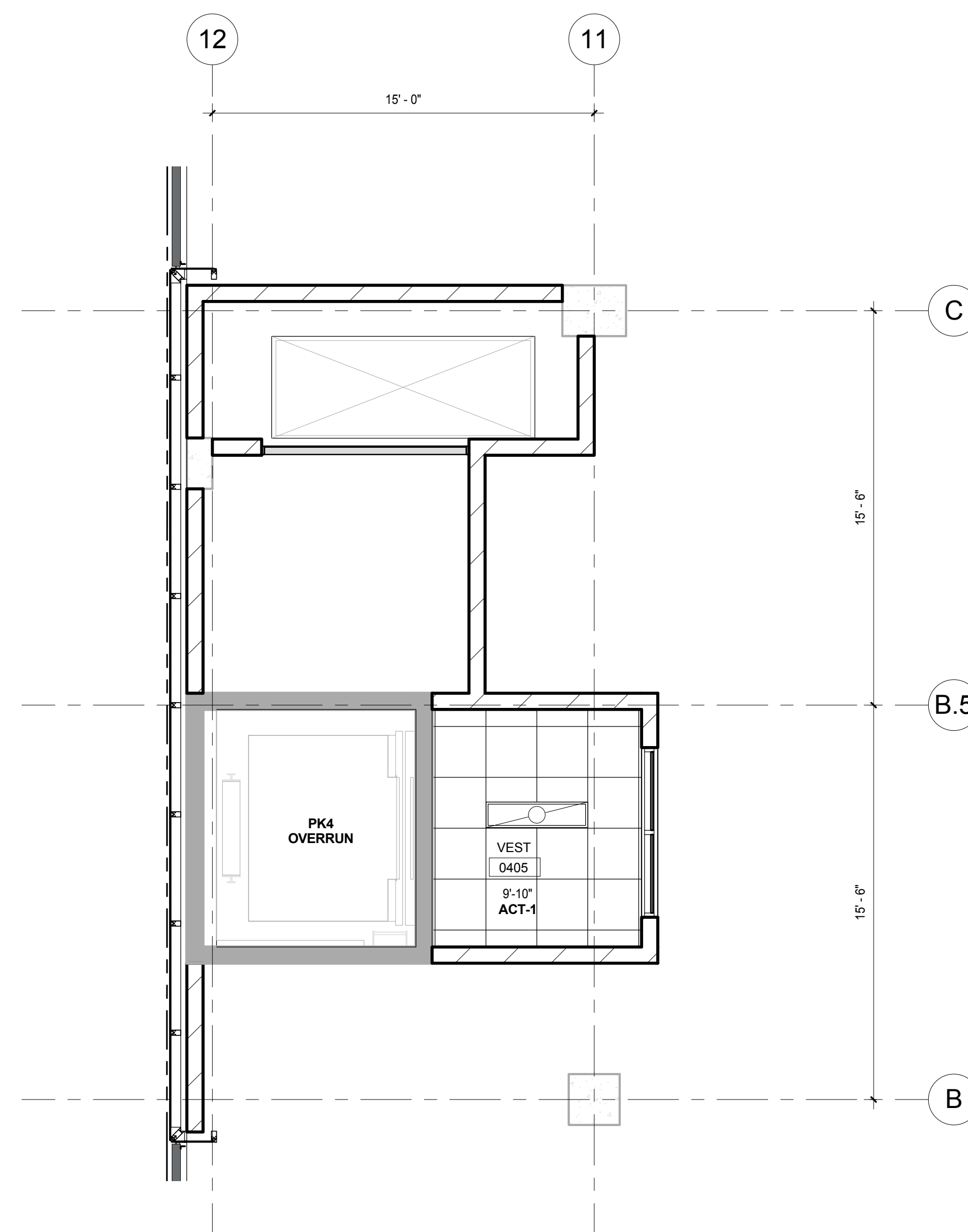
B2 TYP. VEST - WEST CORE
SCALE: 1/4" = 1'-0"



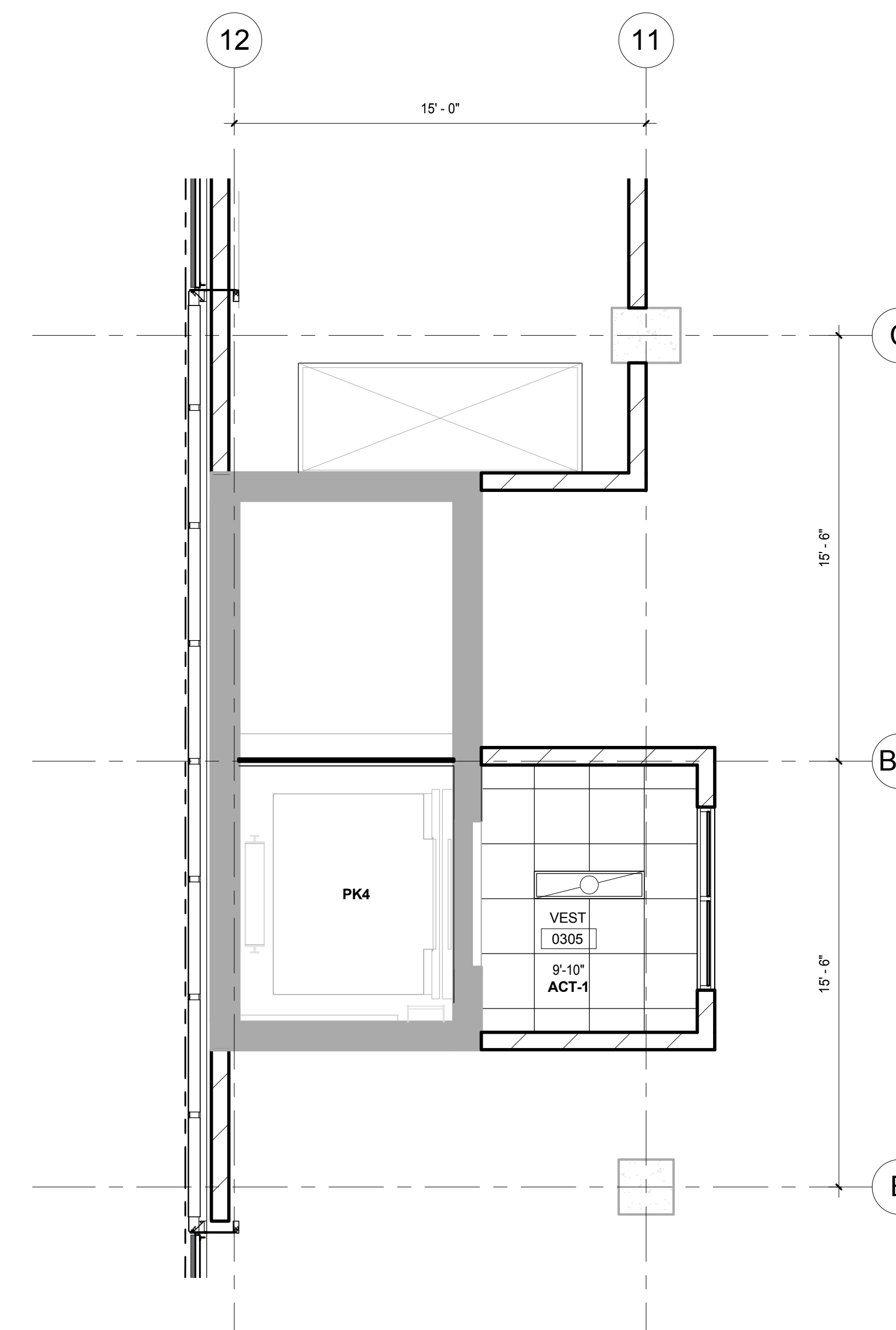
D1 TYP. VESTIBULE ELEVATION - LEVEL 1 & 2
SCALE: 1/4" = 1'-0"



NOTE:
1. CONTRACTORS TO PROVIDE AND INSTALL ALL CEILING SYSTEMS AS IDENTIFIED ON THE PLAN TO MEET ALL SISMIC CEILING REQUIREMENTS PER NATIONAL, STATE AND LOCAL CODES.
2. USE MOISTURE RESISTANT GYP. BO. CEILING IN ALL GUESTROOM BATH AND PUBLIC RESTROOMS.
3. FOR CEILING HEIGHTS REFER TO REFLECTED CEILING PLANS.



K8 LEVEL 4 REFLECTED CEILING PLAN - ENLARGED NORTH CORE VESTIBULE
SCALE: 1/4" = 1'-0"



K5 LEVEL 3 REFLECTED CEILING PLAN - ENLARGED NORTH CORE VESTIBULE
SCALE: 1/4" = 1'-0"

General Notes
NOTE 1: CONSTRUCTION SHOWN HALF-TONE IS EXISTING - FOR INFORMATION ONLY.
NOTE 2: FOR DOOR TAGS, SEE ARCHITECTURAL FLOOR PLANS.
NOTE 3: FOR ROOM FINISHES, SEE SCHEDULE ON A-501.0.
NOTE 4: FOR MATERIAL FINISHES, SEE SCHEDULE ON A-501.0.
NOTE 5: PARKING ELEVATOR VESTIBULES TO BE SMOKE PROTECTED PER IBC 3008.3.2.
LEGEND
N.I.C. CONSTRUCTION ITEMS FOR REFERENCE ONLY - NOT IN CONTRACT - SUBJECT TO SEPARATE PERMIT.
NOTE 6: P1 AND P2 ARE FIRE ACCESS ELEVATORS AND ENTRIES TO BE INSTALLED WITH ABOVE-GRADE TOWER. PROVIDE 2 HR SHAFT WALL IF REQUIRED FOR TEMPORARY OPENINGS CLOSURE.
NOTE 7: S1 IS SERVICE ELEVATOR AND ENTRY TO BE INSTALLED WITH ABOVE-GRADE TOWER. PROVIDE 2 HR SHAFT WALL IF REQUIRED FOR TEMPORARY OPENINGS CLOSURE.

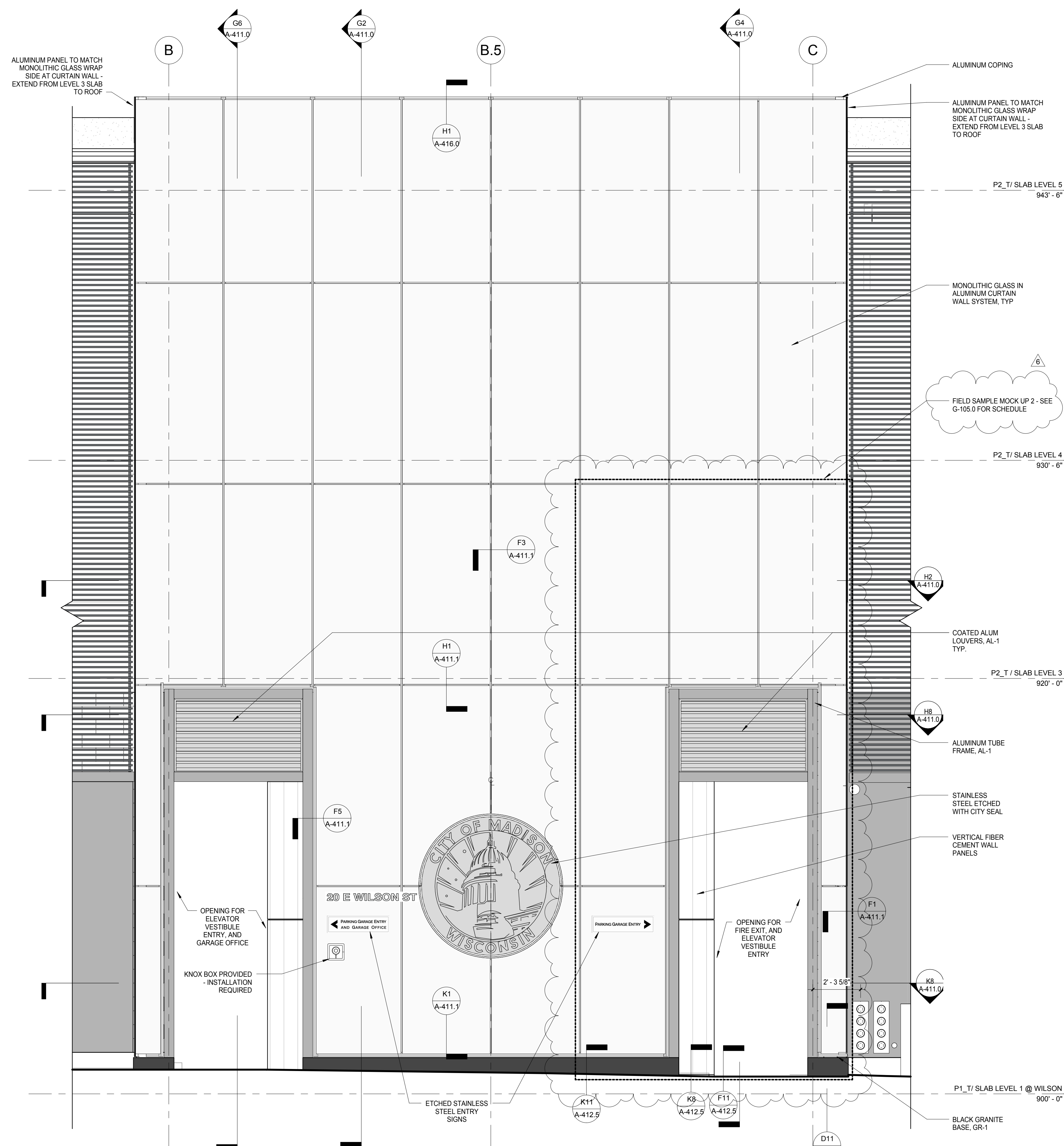
NOTE:
THE "JUDGE DOYLE PODIUM" SET HAS A SIMILAR NUMBERING SYSTEM RELATIVE TO THE "JUDGE DOYLE SQUARE - NEW MUNICIPAL PARKING FACILITY" WHICH IS INCLUDED FOR REFERENCE ONLY.

6	JUDGE DOYLE PODIUM ADDENDUM 2	01/18/2019
4	ISSUED FOR PODIUM BID	12/07/2018
2	ISSUED FOR DESIGN DEVELOPMENT	09/14/2018
No.	Check/Revision	Drawn

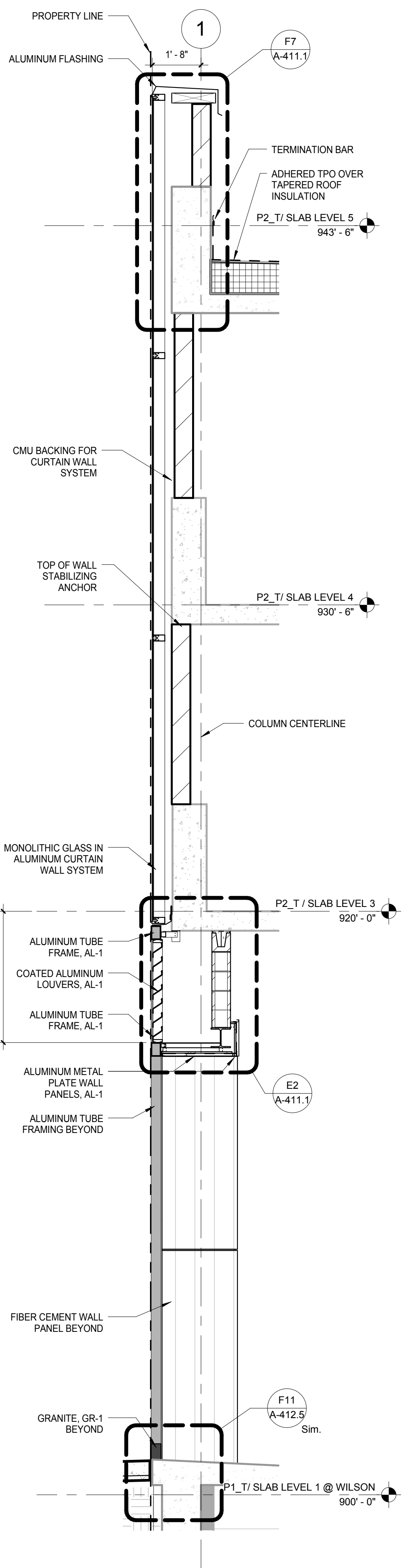
JUDGE DOYLE PODIUM
CITY OF MADISON
ARCHITECT:
lothan van hook destefano
ARCHITECTURE LLC
ASSOCIATE ARCHITECT:
INSITE CONSULTING ARCHITECTS
PARKING CONSULTANT:
WALKER
STRUCTURAL ENGINEERS:
HALVORSON AND PARTNERS
MEP/P ENGINEERS:
AEI Affiliated Engineers
CIVIL ENGINEERS:
Mead & Hunt
LANDSCAPE ARCHITECT:
WOLFF LANDSCAPE ARCHITECTURE
PLANNING
LANDSCAPE ARCHITECTURE
URBAN DESIGN

TYPICAL VESTIBULE REFLECTED CEILING PLANS AND ELEVATIONS
Drawn: _____ Date: _____
Author: 1/18/2019 4:33:22 PM
Checked By: _____ Drawing Number: _____
Checker: _____
Approved: _____
Approver: _____
Job Number: _____
217-1088

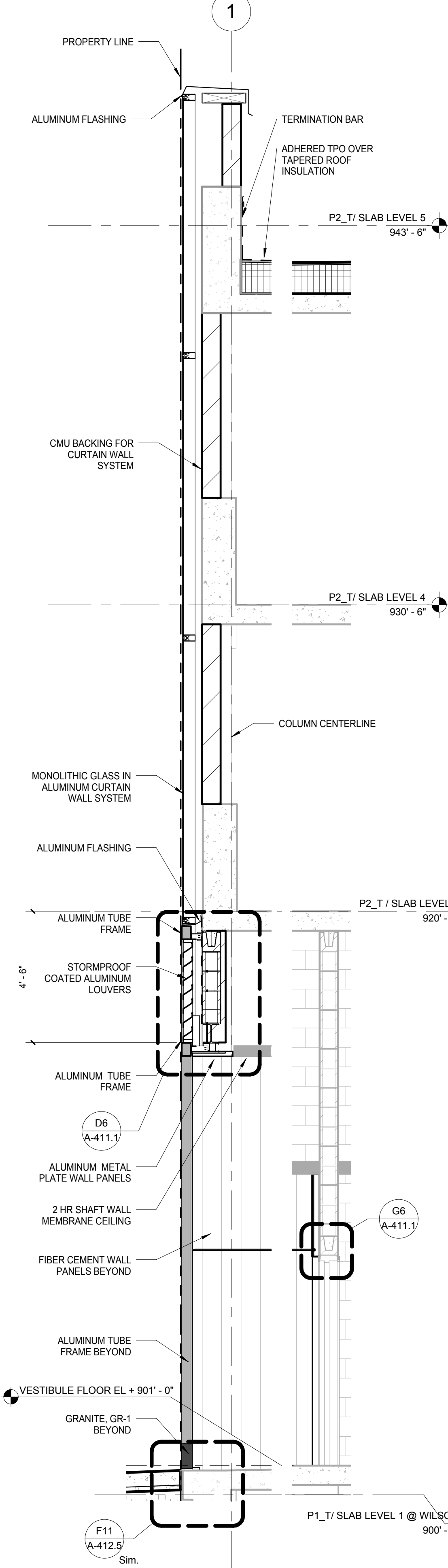
A-204.1



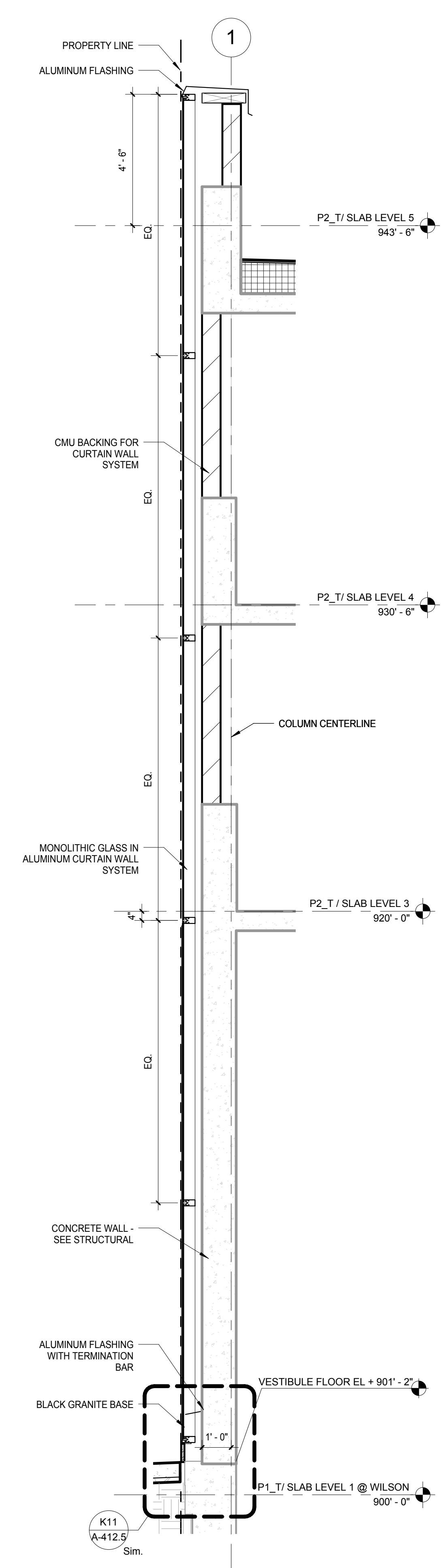
G8 SOUTH ELEVATION - WILSON ST. ENLARGED PUBLIC PARKING ENTRY ELEVATION
SCALE: 3/8" = 1'-0"



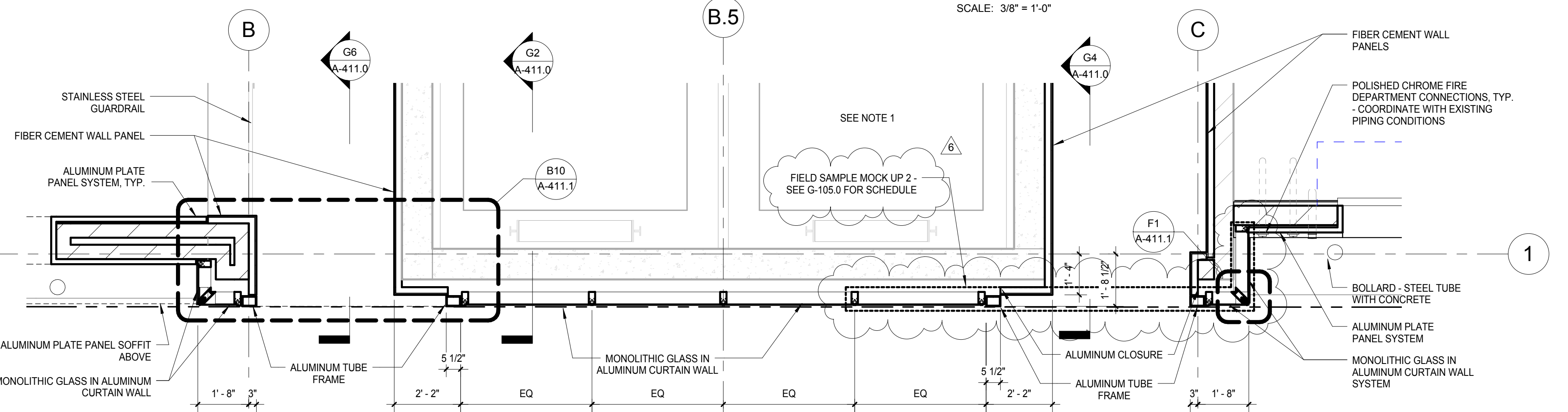
G6 PUBLIC PARKING ENTRY/EXIT ENLARGED WALL SECTION
SCALE: 3/8" = 1'-0"



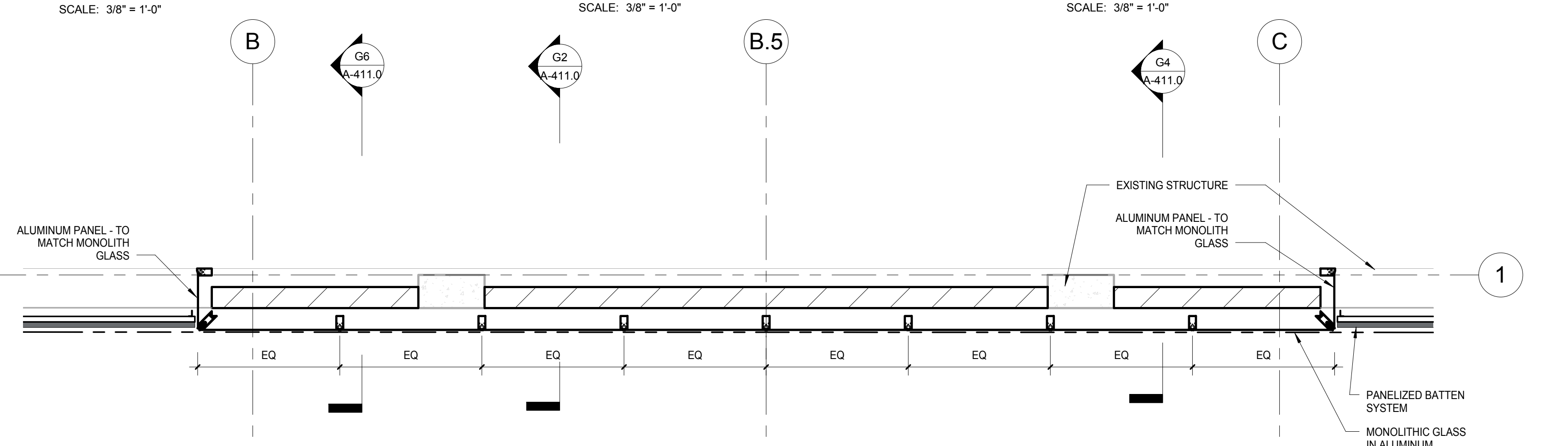
G4 DOORWAY AT EXIT CORRIDOR ENLARGED WALL SECTION
SCALE: 3/8" = 1'-0"



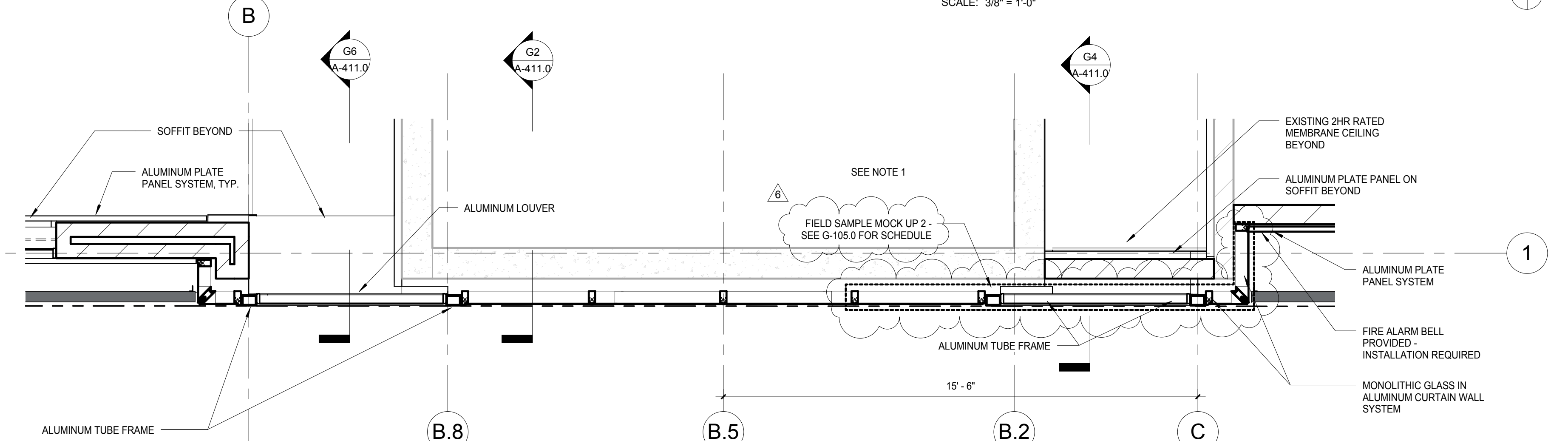
G2 TYP. GLAZING AT ELEVATOR ENLARGED WALL SECTION
SCALE: 3/8" = 1'-0"



H8 LEVEL 1 PLAN - WILSON ST. ENTRY ENLARGED PUBLIC PARKING ENTRY PLAN
SCALE: 3/8" = 1'-0"



H2 LEVEL 3 ENLARGED PLAN - WILSON
SCALE: 3/8" = 1'-0"



K8 LEVEL 2 PLAN - WILSON ST. ENLARGED PUBLIC PARKING LOUVER PLAN
SCALE: 3/8" = 1'-0"

General Notes
NOTE 1: CONSTRUCTION SHOWN HALF-TONE IS EXISTING - FOR INFORMATION ONLY.
NOTE 2: CONSTRUCTION SHOWN BELOW LEVEL 1 AT WILSON AND LEVEL 2 AT DOTY IS EXISTING - NO WORK TO BE DONE, UNLESS NOTED OTHERWISE.

LEGEND
N.I.C. CONSTRUCTION ITEMS FOR REFERENCE ONLY - NOT IN CONTRACT - SUBJECT TO SEPARATE PERMIT

NOTE:
THE "JUDGE DOYLE PODIUM" SET HAS A SIMILAR NUMBERING SYSTEM RELATIVE TO THE "JUDGE DOYLE SQUARE - NEW MUNICIPAL PARKING FACILITY" WHICH IS INCLUDED FOR REFERENCE ONLY

No.	Description	Date
6	JUDGE DOYLE PODIUM ADDENDUM 2	01/18/2019
4	ISSUED FOR PODIUM BID	12/07/2018
3	ISSUED FOR STATE PLAN REVIEW	11/16/2018
2	ISSUED FOR DESIGN DEVELOPMENT	09/14/2018
1	ISSUED FOR SCHEMATIC DESIGN	07/20/2018

JUDGE DOYLE PODIUM
CITY OF MADISON

ARCHITECT:
lothan van hook destefano ARCHITECTURE LLC

ASSOCIATE ARCHITECT:
INSITE CONSULTING ARCHITECTS

PARKING CONSULTANT:
WALKER

STRUCTURAL ENGINEERS:
H. ALVORSON AND PARTNERS

MEP/P ENGINEERS:
AEI Affiliated Engineers

CIVIL ENGINEERS:
Mead & Hunt

LANDSCAPE ARCHITECT:
WOLFF LANDSCAPE ARCHITECTURE

Drawing Title
EXTERIOR WALL DETAILS - GROUND LEVEL - ELEVATION, PLAN & SECTION

Drawn _____ **Date** _____
Author 1/18/2019 4:34:13 PM
Checked By _____ **Drawing Number** _____
Approved _____
Approver _____
Job Number 217-1088

A411.0

General Notes
 NOTE 1: CONSTRUCTION SHOWN HALF-TONE IS EXISTING - FOR INFORMATION ONLY
 NOTE 2: CONSTRUCTION SHOWN BELOW LEVEL 1 AT WILSON AND LEVEL 2 AT DOTY IS EXISTING - NO WORK TO BE DONE UNLESS NOTED OTHERWISE

LEGEND
 N.T.C. CONSTRUCTION ITEMS FOR REFERENCE ONLY - NOT IN CONTRACT - SUBJECT TO SEPARATE PERMIT

NOTE:
 THE "JUDGE DOYLE PODIUM" SET HAS A SIMILAR NUMBERING SYSTEM RELATIVE TO THE "JUDGE DOYLE SQUARE - NEW MUNICIPAL PARKING FACILITY" WHICH IS INCLUDED FOR REFERENCE ONLY

6	JUDGE DOYLE PODIUM ADDENDUM 2	01/18/2019
4	ISSUED FOR PODIUM BID	12/07/2018
3	ISSUED FOR STATE PLAN REVIEW	11/16/2018
2	ISSUED FOR DESIGN DEVELOPMENT	09/14/2018
1	CONCEPT	08/14/2018

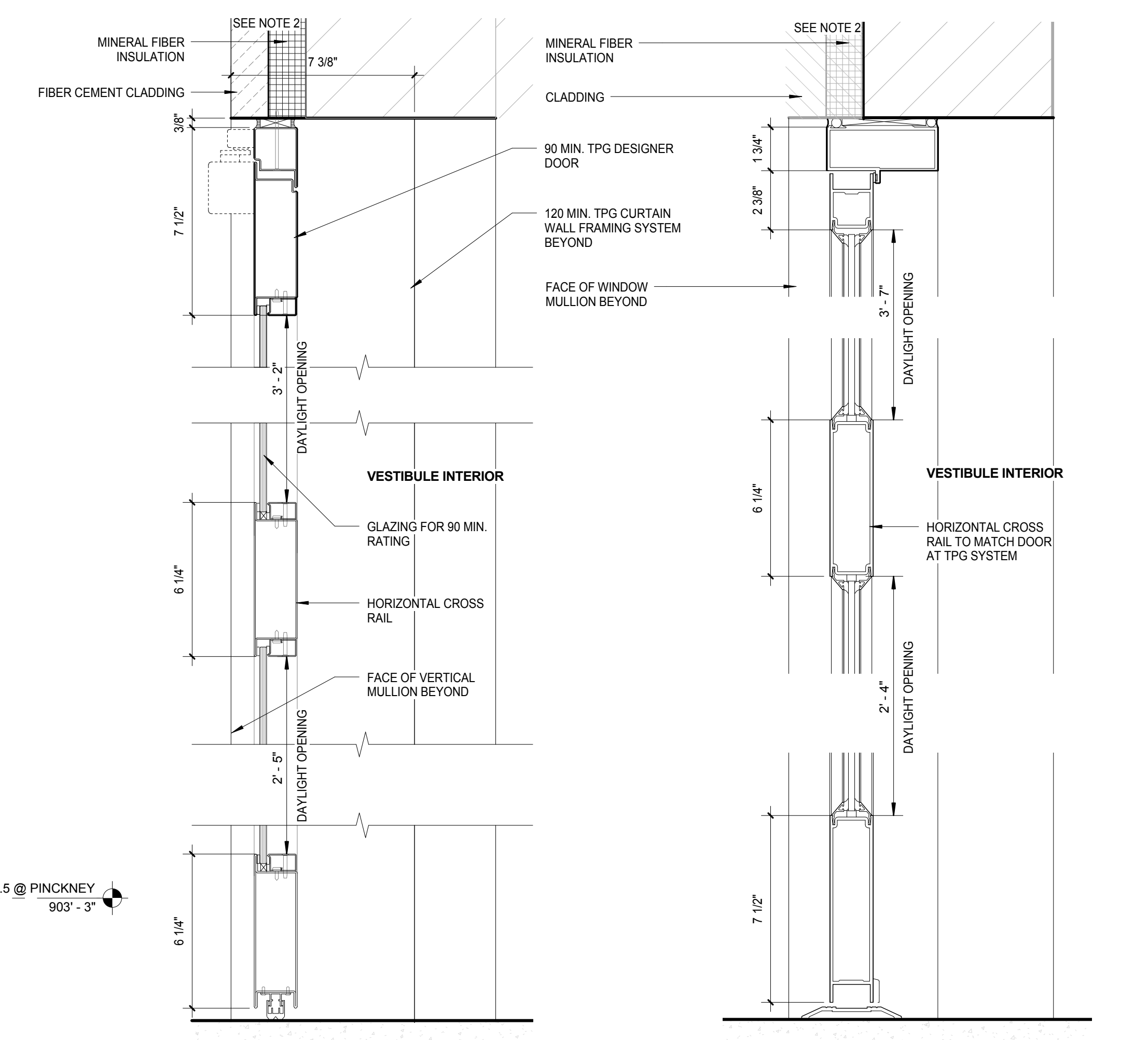
JUDGE DOYLE PODIUM
 CITY OF MADISON
 ARCHITECT:
lothan van hook destefano
 ARCHITECTURE LLC

ASSOCIATE ARCHITECT:
INSITE CONSULTING ARCHITECTS
 PARKING CONSULTANT:
WALKER
 STRUCTURAL ENGINEER:
H. ALY CORSON
 AND PARTNERS
 ME/FP ENGINEERS:
AEI Affiliated Engineers
 CIVIL ENGINEERS:
Mead & Hunt
 LANDSCAPE ARCHITECT:
WOLFF LANDSCAPE ARCHITECTURE
 PLANNING
 LANDSCAPE ARCHITECTURE
 URBAN DESIGN

Drawing Title
 WILSON STREET VESTIBULE ENTRANCE - ENLARGED PLANS, SECTIONS, AND DETAILS

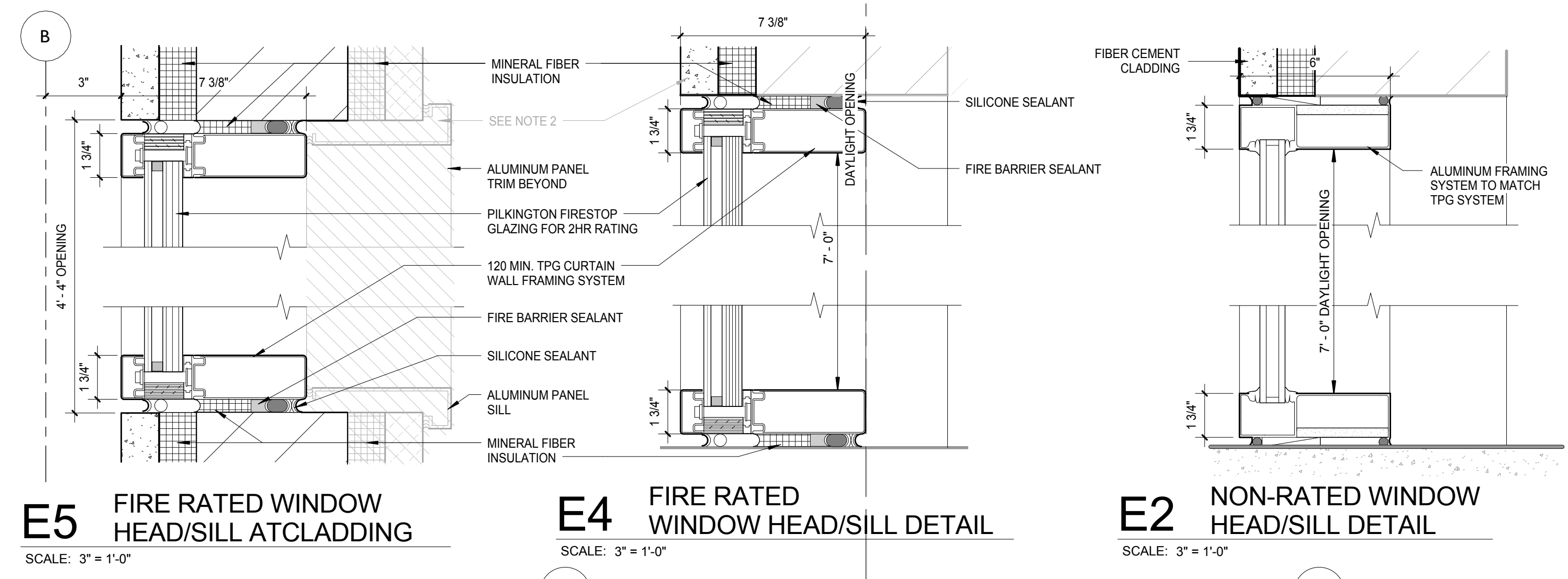
Drawn _____ **Date** _____
Author _____ **1/18/2019 4:34:03 PM**
Checked By _____ **Drawing Number** _____
Approved _____
Approver _____
Job Number _____
217-1088

A411.2



D4 FIRE RATED VESTIBULE DOOR SECTION DETAIL
 SCALE: 3" = 1'-0"

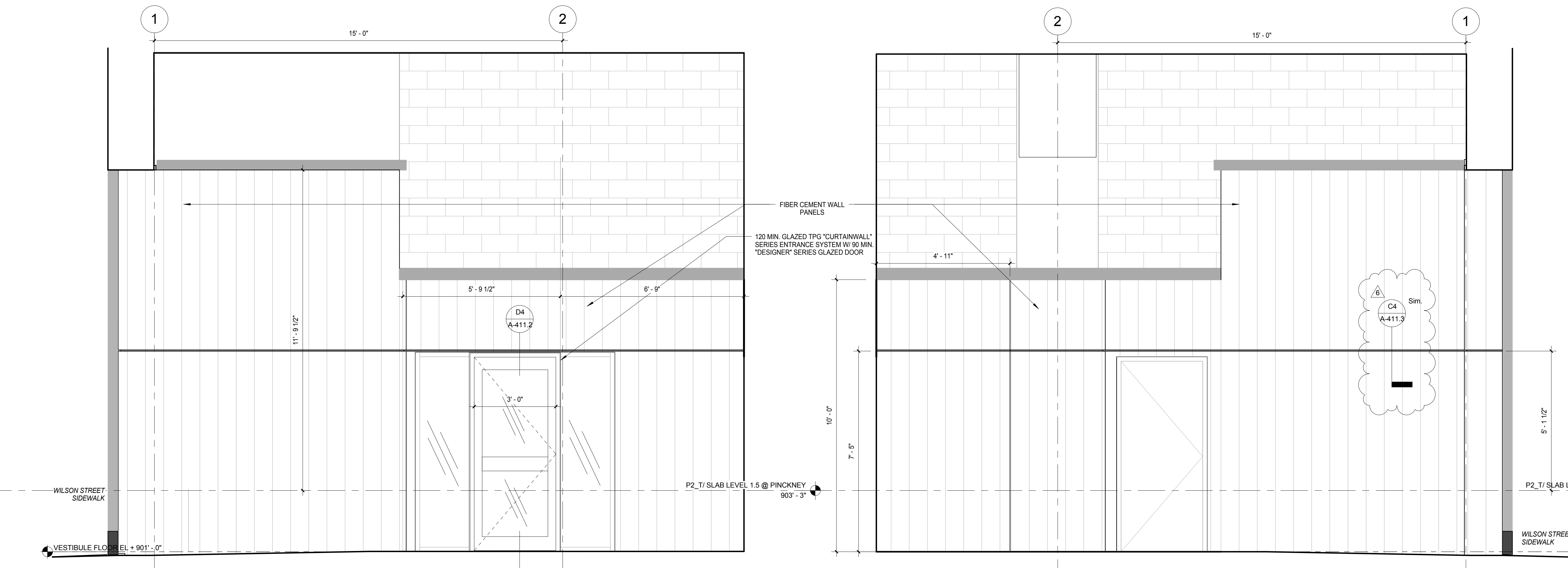
D2 NON-RATED VESTIBULE DOOR SECTION DETAIL
 SCALE: 3" = 1'-0"



E5 FIRE RATED WINDOW HEAD/SILL ATCLADDING
 SCALE: 3" = 1'-0"

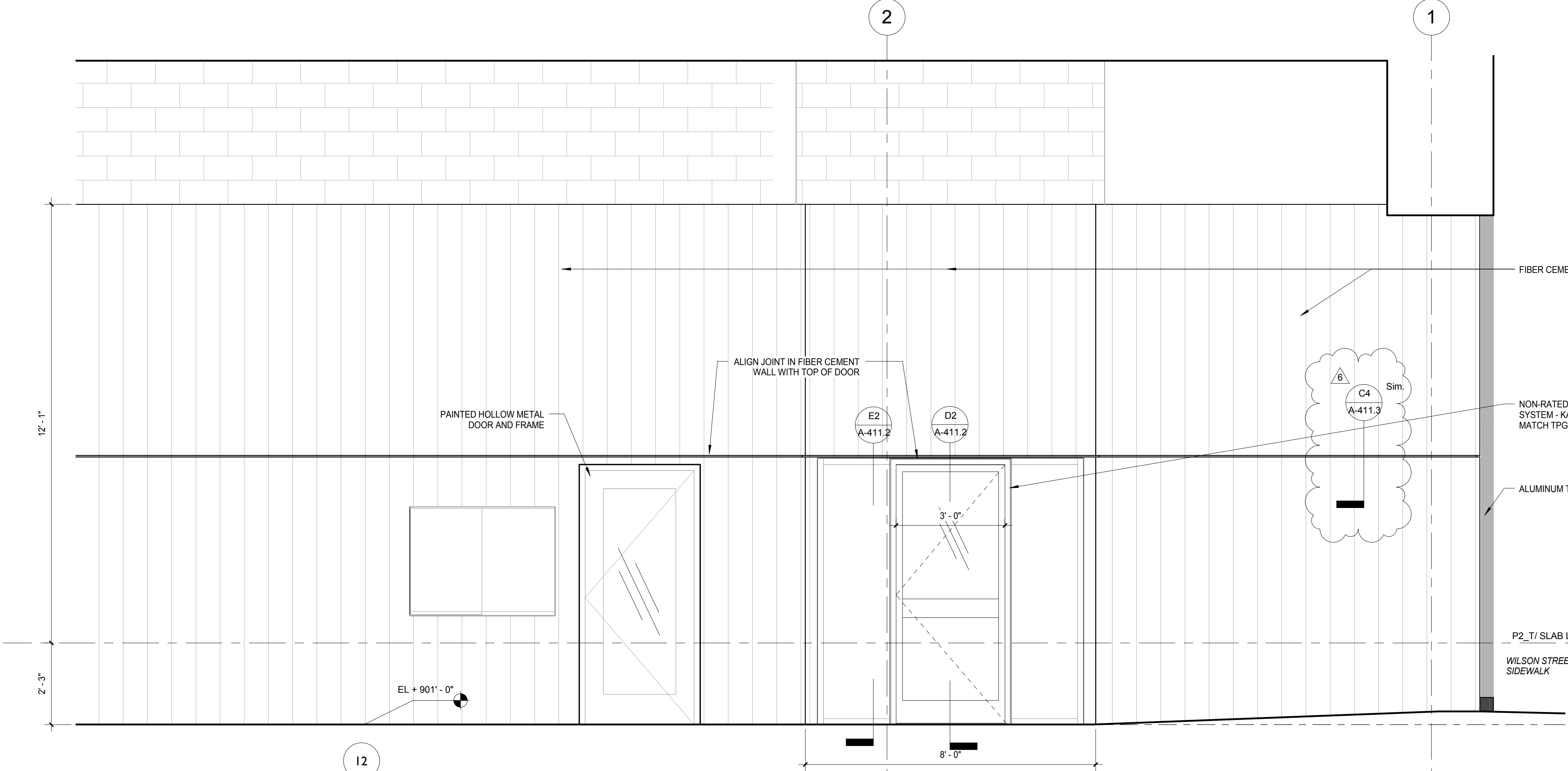
E4 FIRE RATED WINDOW HEAD/SILL DETAIL
 SCALE: 3" = 1'-0"

E2 NON-RATED WINDOW HEAD/SILL DETAIL
 SCALE: 3" = 1'-0"

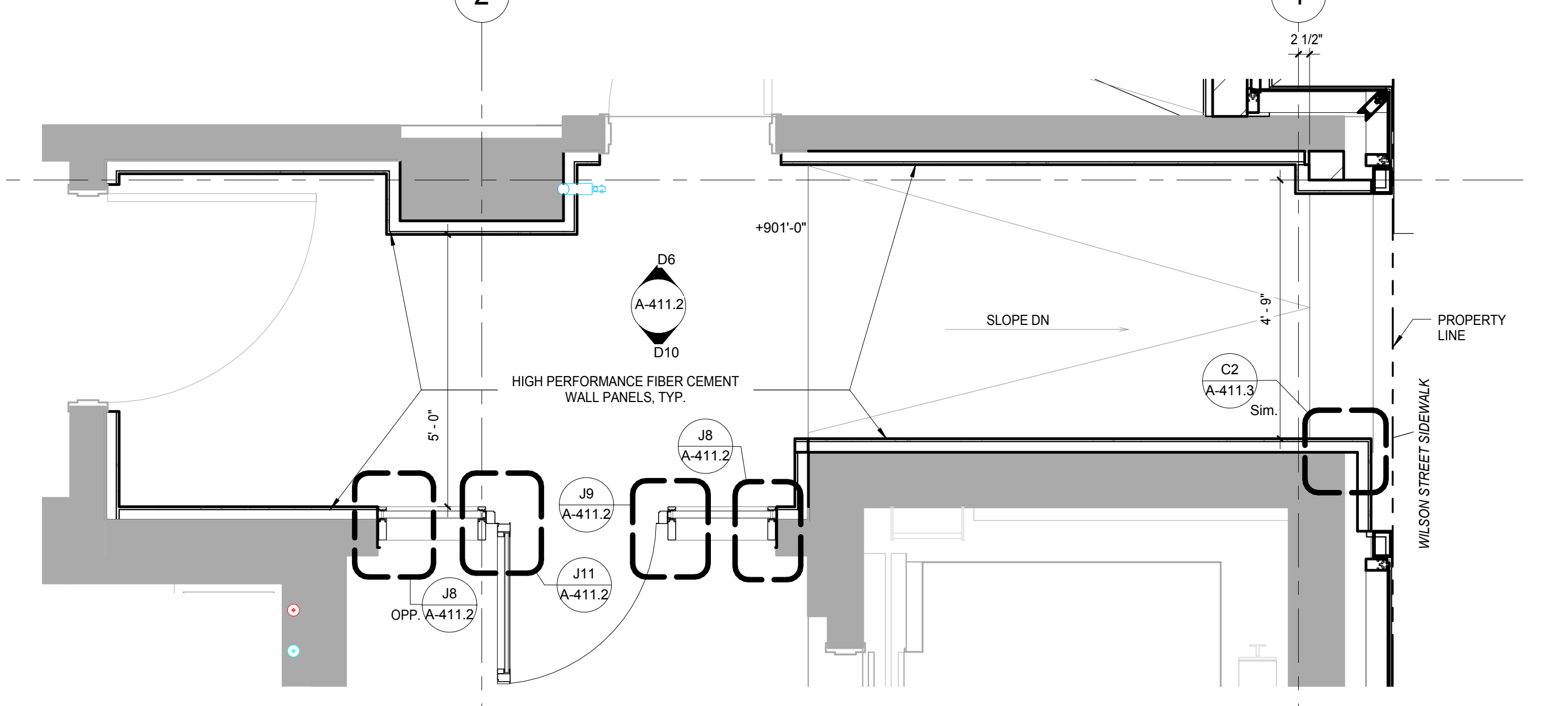


D10 WILSON STREET ENTRY - INTERIOR ELEVATION AT GARAGE VEST, EAST ENTRANCE
 SCALE: 1/2" = 1'-0"

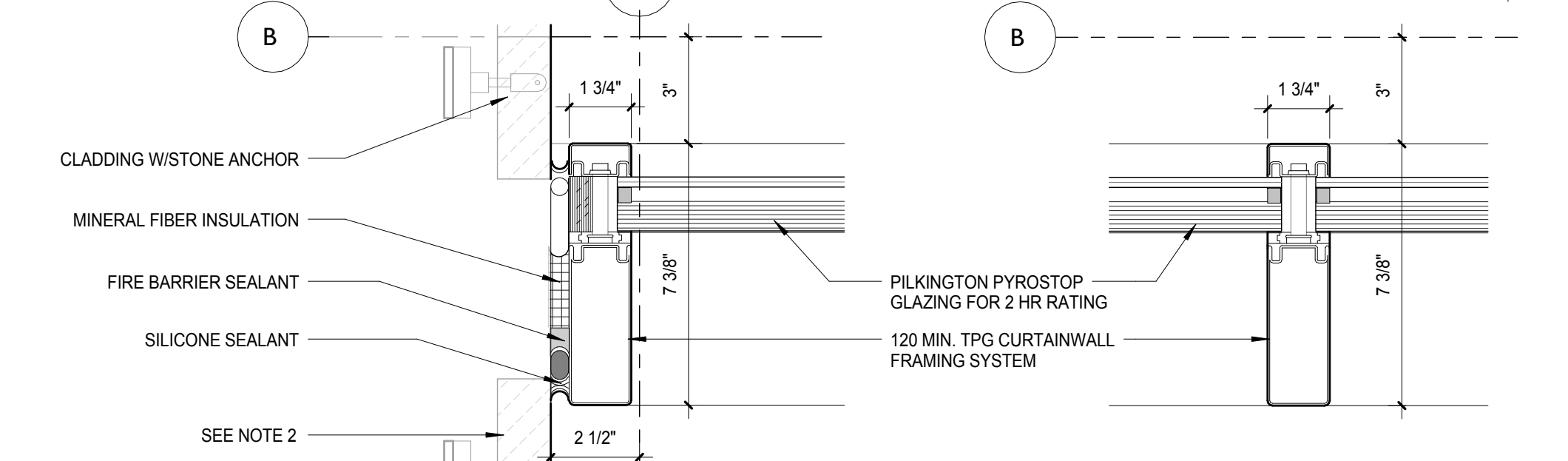
D6 WILSON STREET ENTRY - INTERIOR ELEVATION, EAST ENTRANCE
 SCALE: 1/2" = 1'-0"



G8 WILSON STREET ENTRY - INTERIOR ELEVATION AT GARAGE OFFICE
 SCALE: 1/2" = 1'-0"

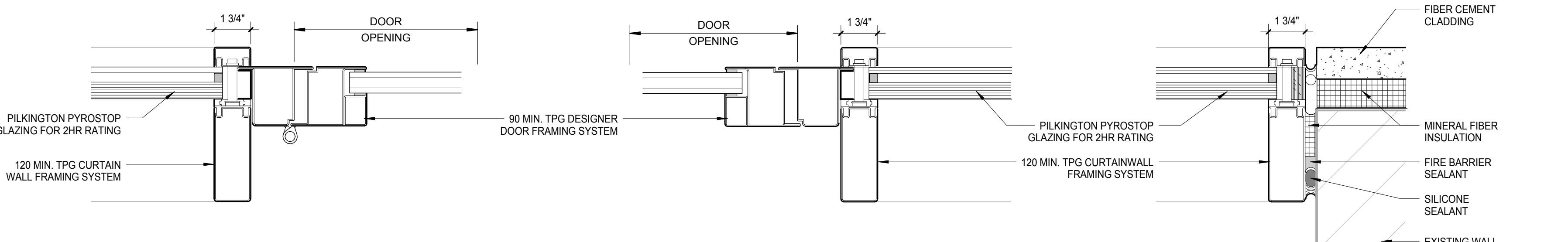


G3 LEVEL 1 ENLARGED WILSON STREET VESTIBULE ENTRANCE - AT EXIT CORRIDOR
 SCALE: 1/2" = 1'-0"



H11 FIRE RATED WINDOW JAMB
 SCALE: 3" = 1'-0"

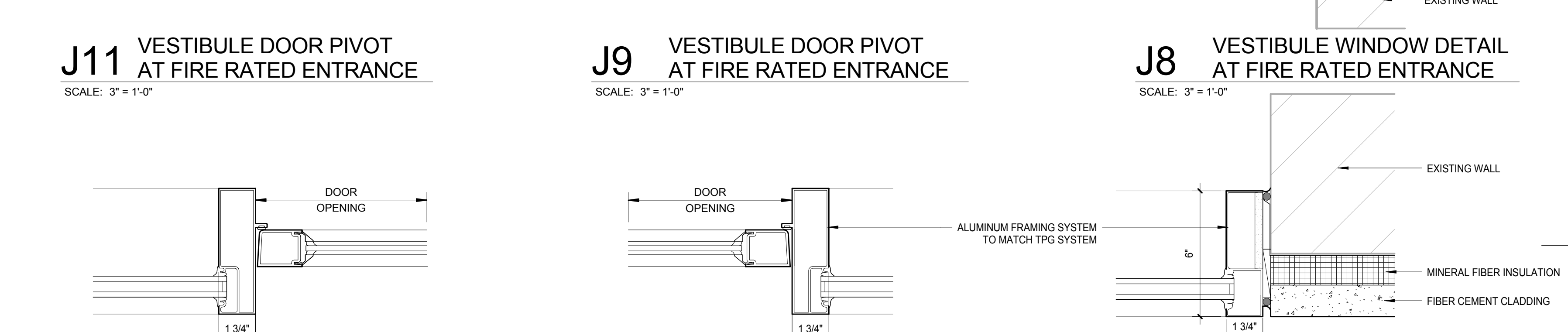
H9 FIRE RATED WINDOW MULLION DETAIL
 SCALE: 3" = 1'-0"



J11 VESTIBULE DOOR PIVOT AT FIRE RATED ENTRANCE
 SCALE: 3" = 1'-0"

J9 VESTIBULE DOOR PIVOT AT FIRE RATED ENTRANCE
 SCALE: 3" = 1'-0"

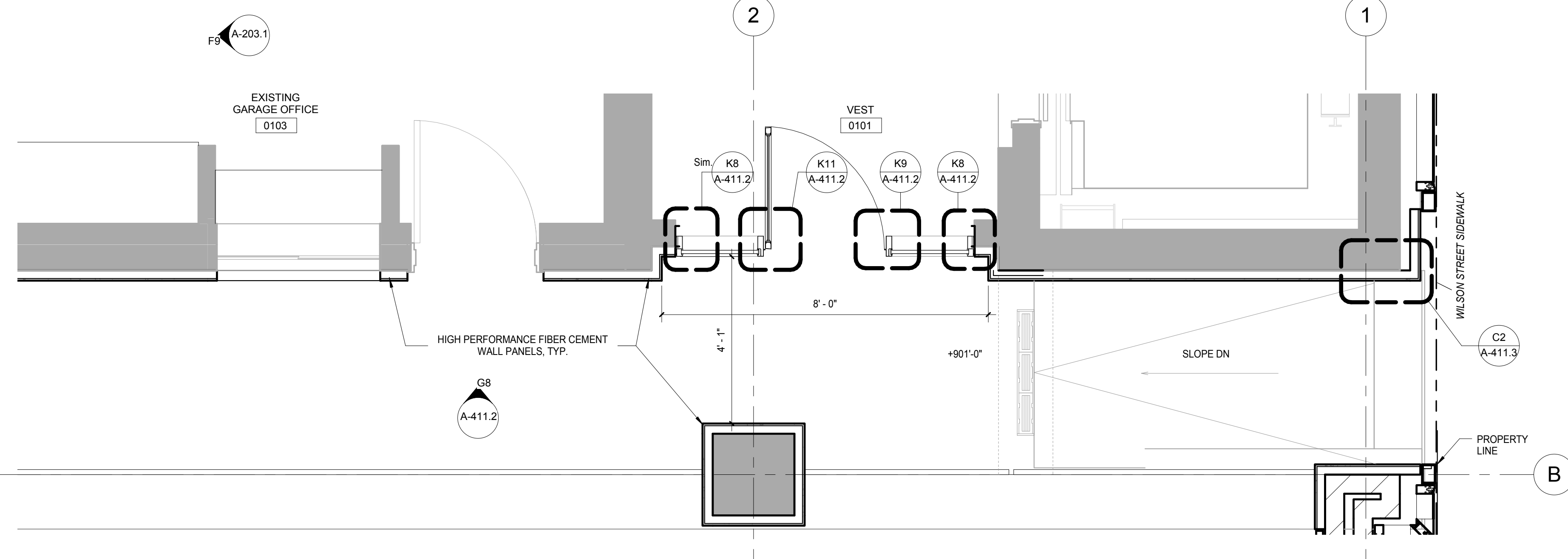
J8 VESTIBULE WINDOW DETAIL AT FIRE RATED ENTRANCE
 SCALE: 3" = 1'-0"



K11 VESTIBULE DOOR PIVOT AT NON-RATED ENTRANCE
 SCALE: 3" = 1'-0"

K9 VESTIBULE DOOR JAMB/MULLION AT NON-RATED ENTRANCE
 SCALE: 3" = 1'-0"

K8 VESTIBULE WINDOW DETAIL AT NON-RATED ENTRANCE
 SCALE: 3" = 1'-0"



K3 LEVEL 1 ENLARGED WILSON STREET VESTIBULE ENTRANCE - AT GARAGE OFFICE
 SCALE: 1/2" = 1'-0"

C:\Users\administrator\Documents\Judge Doyle Square - Madison Podium_1.mxd
 1/18/2019 4:34:03 PM

General Notes
 NOTE 1: CONSTRUCTION SHOWN HALF-TONE IS EXISTING - FOR INFORMATION ONLY
 NOTE 2: CONSTRUCTION SHOWN BELOW LEVEL 1 AT WILSON AND LEVEL 2 AT DOTY IS EXISTING - NO WORK TO BE DONE, UNLESS NOTED OTHERWISE

LEGEND
 N.I.C. CONSTRUCTION ITEMS FOR REFERENCE ONLY - NOT IN CONTRACT - SUBJECT TO SEPARATE PERMIT

NOTE:
 THE "JUDGE DOYLE PODIUM" SET HAS A SIMILAR NUMBERING SYSTEM RELATIVE TO THE "JUDGE DOYLE SQUARE - NEW MUNICIPAL PARKING FACILITY" WHICH IS INCLUDED FOR REFERENCE ONLY

6	JUDGE DOYLE PODIUM ADDENDUM 2	01/18/2019
4	ISSUED FOR PODIUM BID	12/07/2018
3	ISSUED FOR STATE PLAN REVIEW	11/16/2018
2	ISSUED FOR DESIGN DEVELOPMENT	09/14/2018
1	ISSUED FOR SCHEMATIC DESIGN	07/20/2018
Rev.	DESCRIPTION	DATE

JUDGE DOYLE PODIUM
 CITY OF MADISON

ARCHITECT:
lothan van hook destefano
 ARCHITECTURE LLC

ASSOCIATE ARCHITECT:
INSITE CONSULTING ARCHITECTS

PARKING CONSULTANT:
WALKER

STRUCTURAL ENGINEERS:
H. ALVORSON AND PARTNERS
 A WEST PARDON ENGINEERING COMPANY

ME/P/E ENGINEERS:
AEI Affiliated Engineers

CIVIL ENGINEERS:
Mead & Hunt

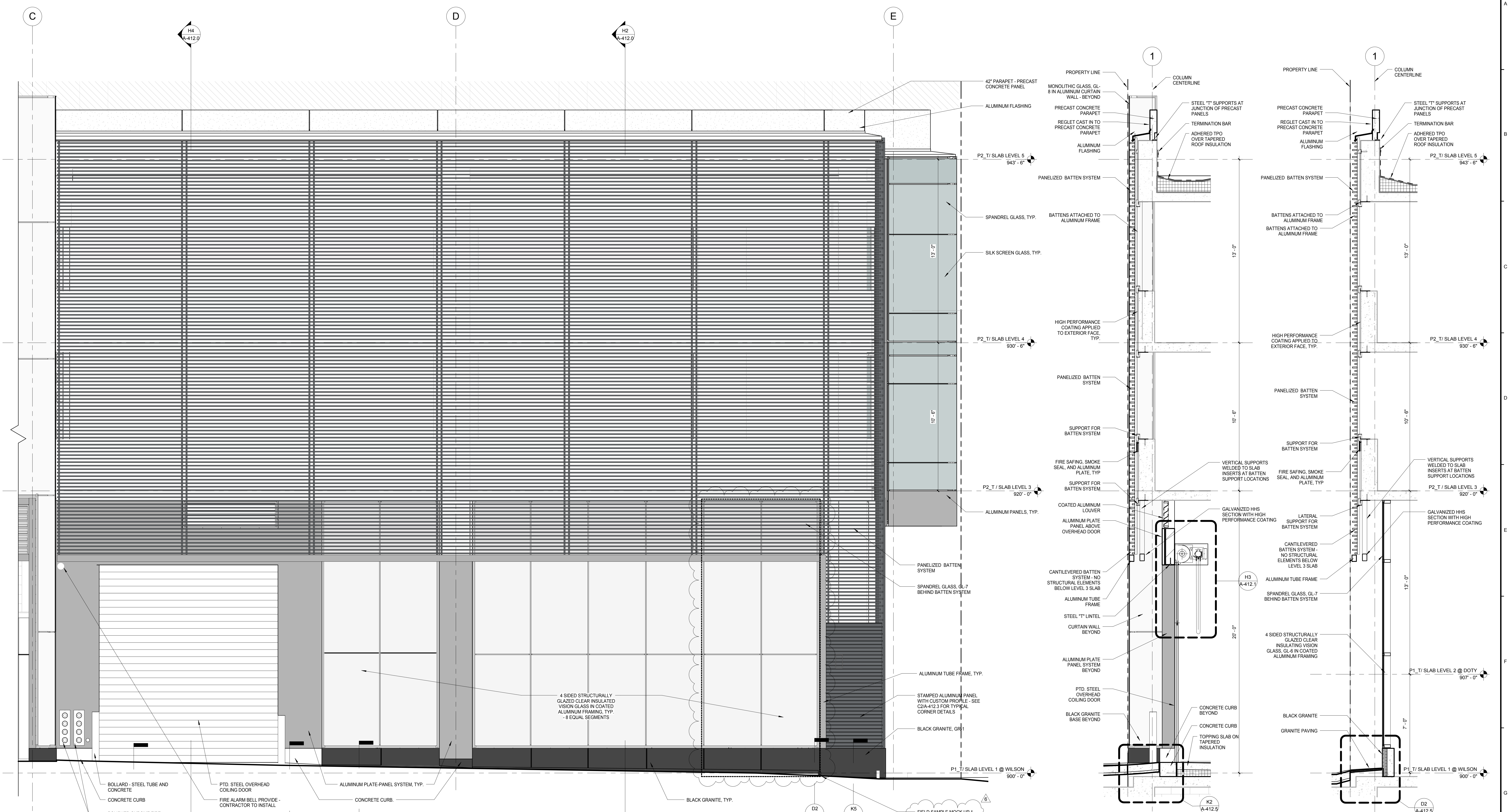
LANDSCAPE ARCHITECT:
WOLFF LANDSCAPE ARCHITECTURE
 PLANNING LANDSCAPE ARCHITECTURE URBAN DESIGN

Drawing Title

EXTERIOR WALL DETAILS - GROUND LEVEL - ELEVATION, PLAN & SECTION

Drawn	Date
Author	1/18/2019 4:35:04 PM
Checked By	Drawing Number
Checker	
Approved	
Approver	
Job Number	
217-1088	

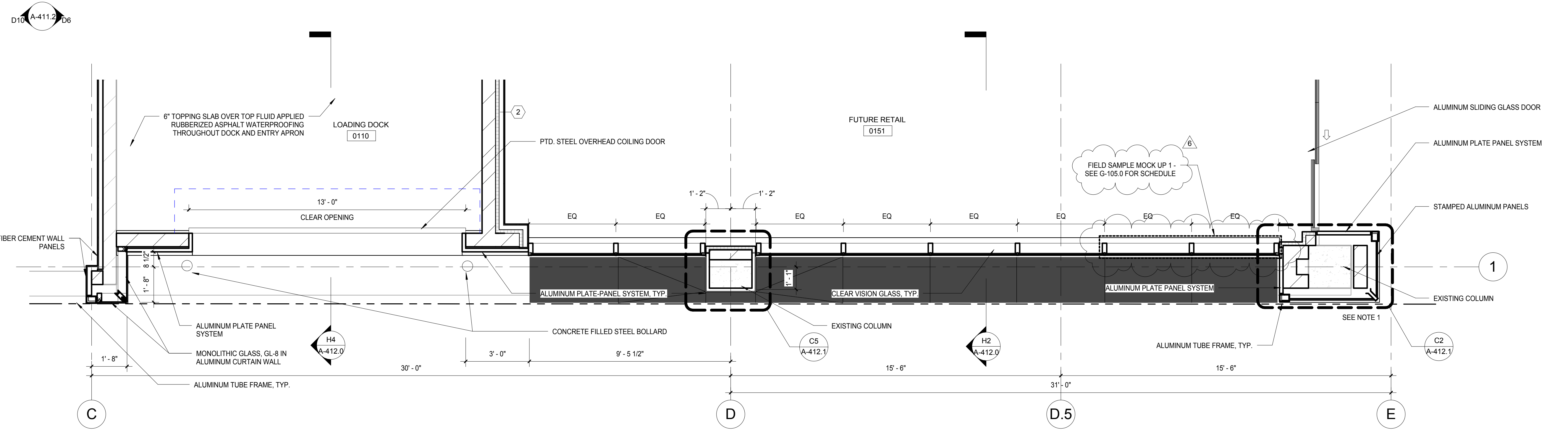
A-412.0



H6 SOUTH ELEVATION - WILSON ST. ENLARGED ELEVATION
 SCALE: 3/8" = 1'-0"

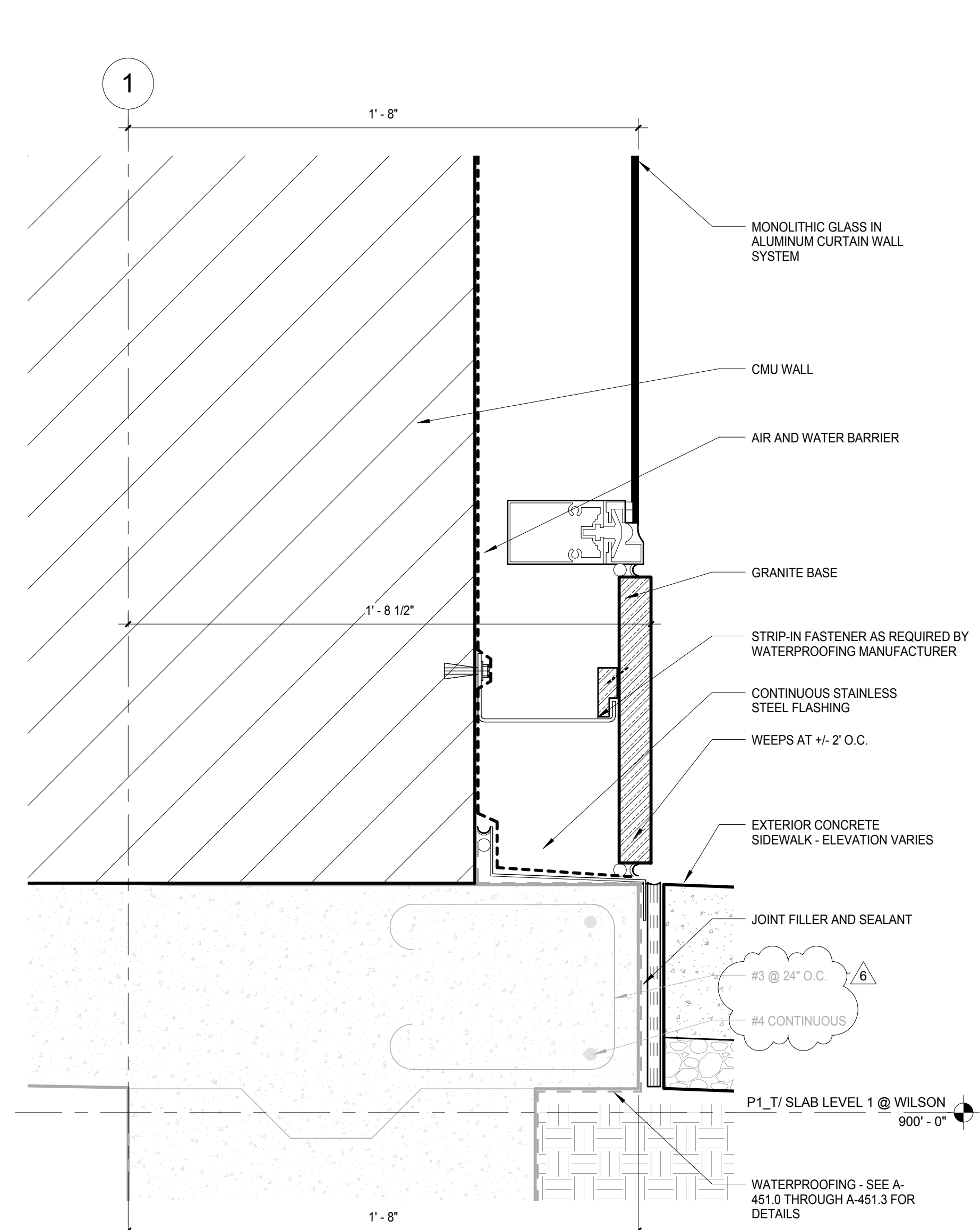
H4 OVERHEAD COILING DOOR WALL SECTION
 SCALE: 3/8" = 1'-0"

H2 CLEAR VISION GLASS & BATTEN SYSTEM WALL SECTION
 SCALE: 3/8" = 1'-0"

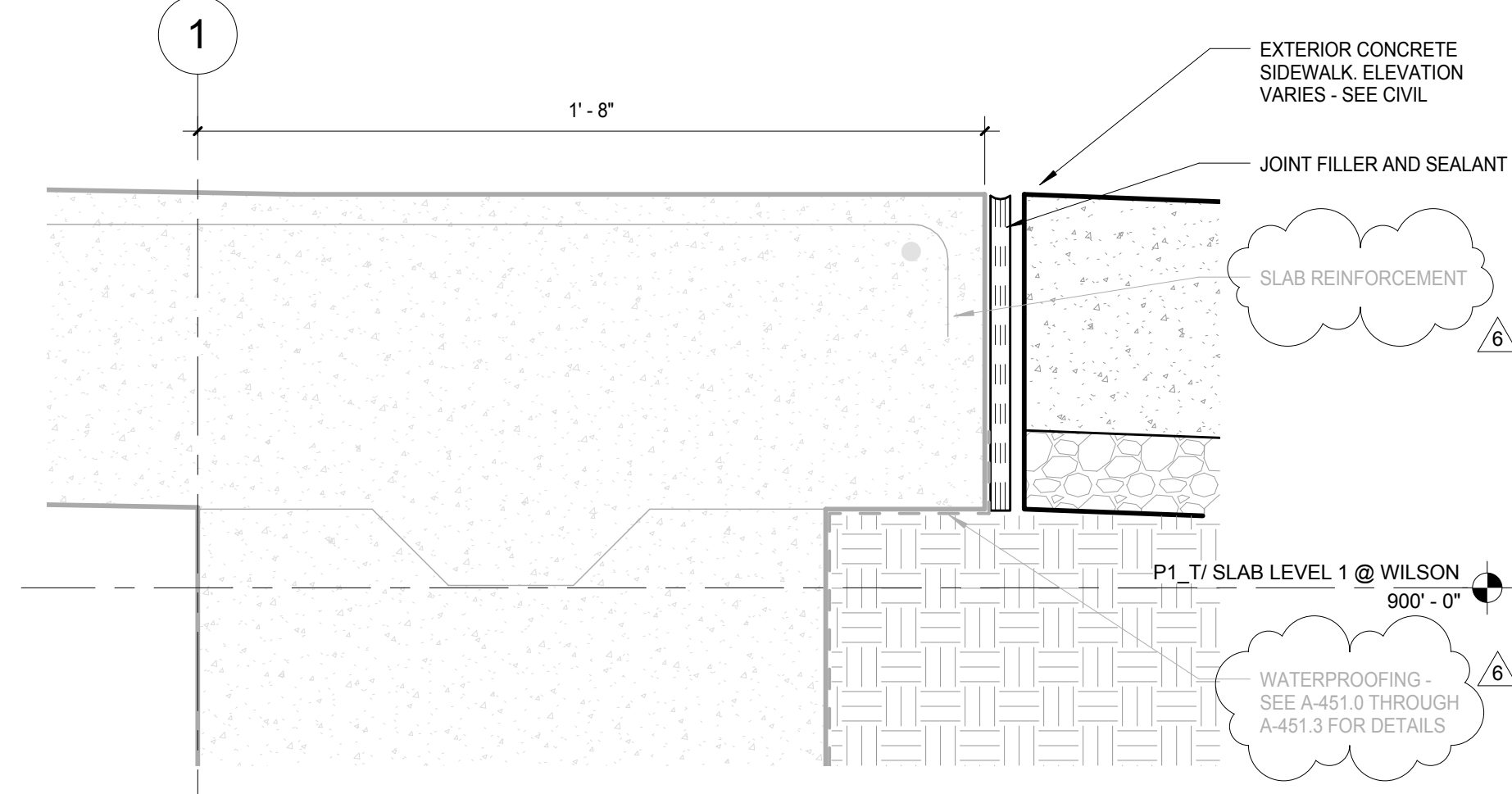


K6 LEVEL 1 PLAN - WILSON ST. ENTRY ENLARGED PLAN
 SCALE: 3/8" = 1'-0"

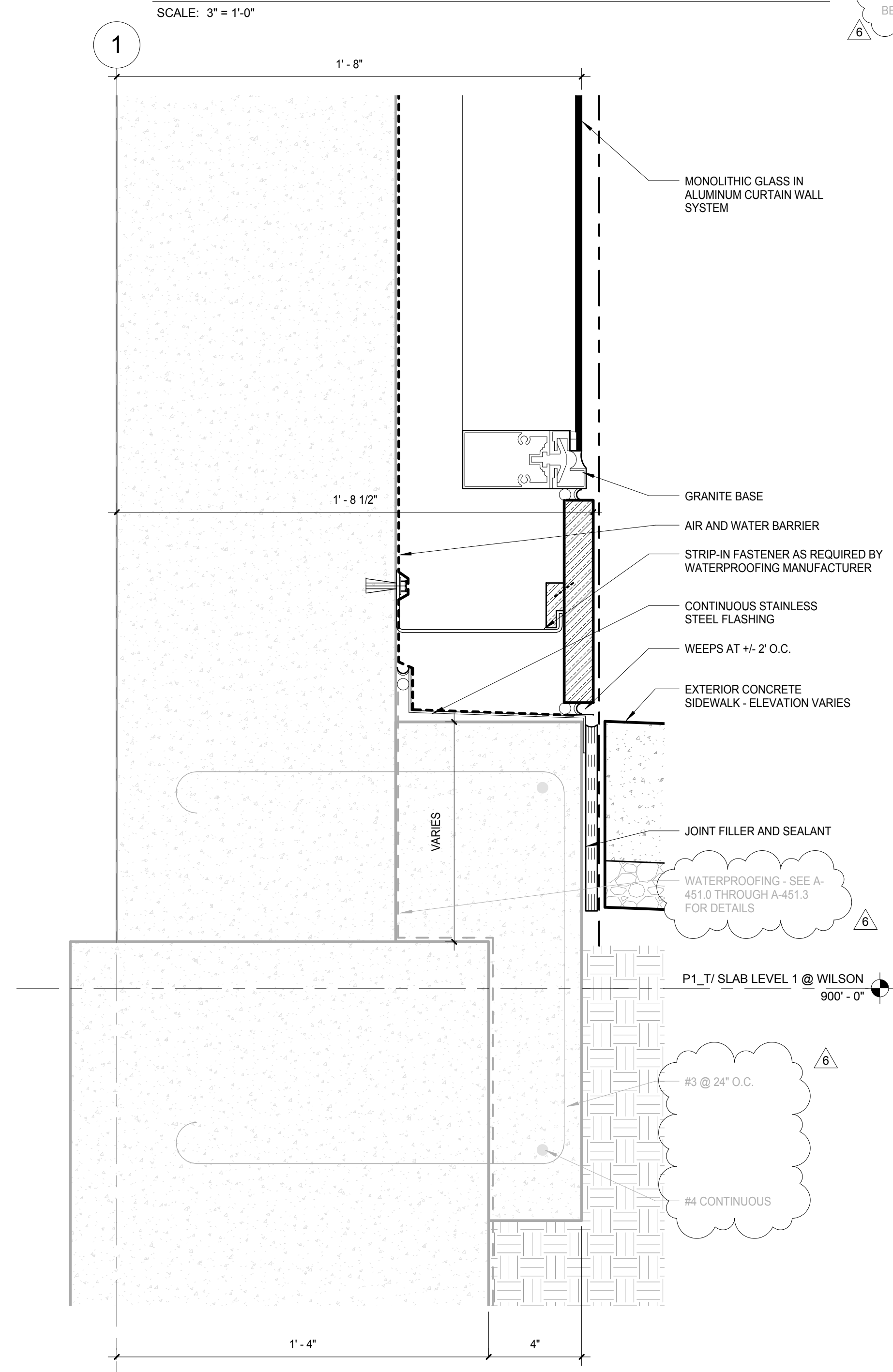
C:\Users\administrator\Documents\Judge Doyle Square - Madison Podium_in\m\nt
 1/18/2019 4:35:04 PM



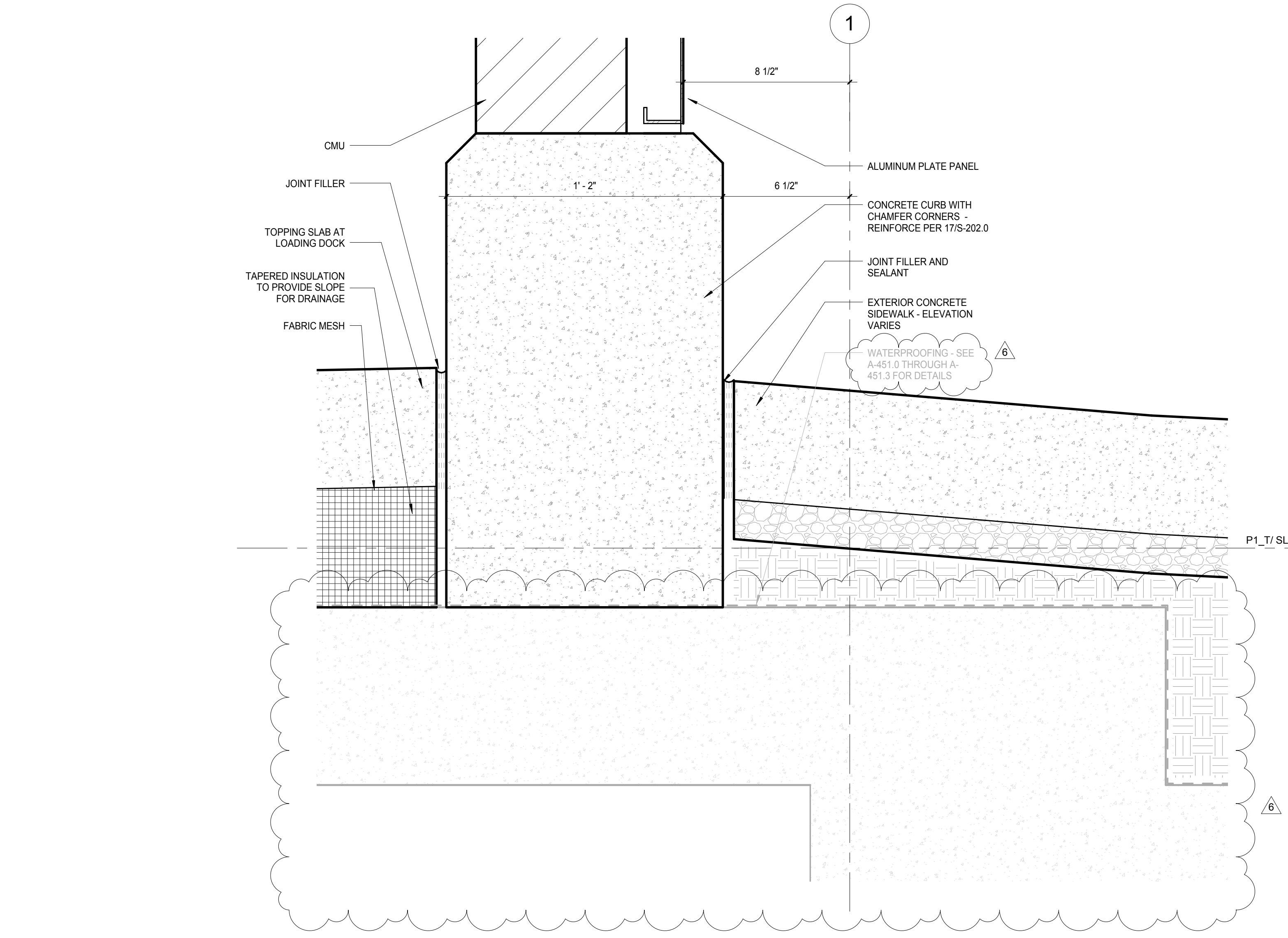
D11 WILSON SLAB DETAIL - AT MONOLITHIC GLASS
SCALE: 3" = 1'-0"



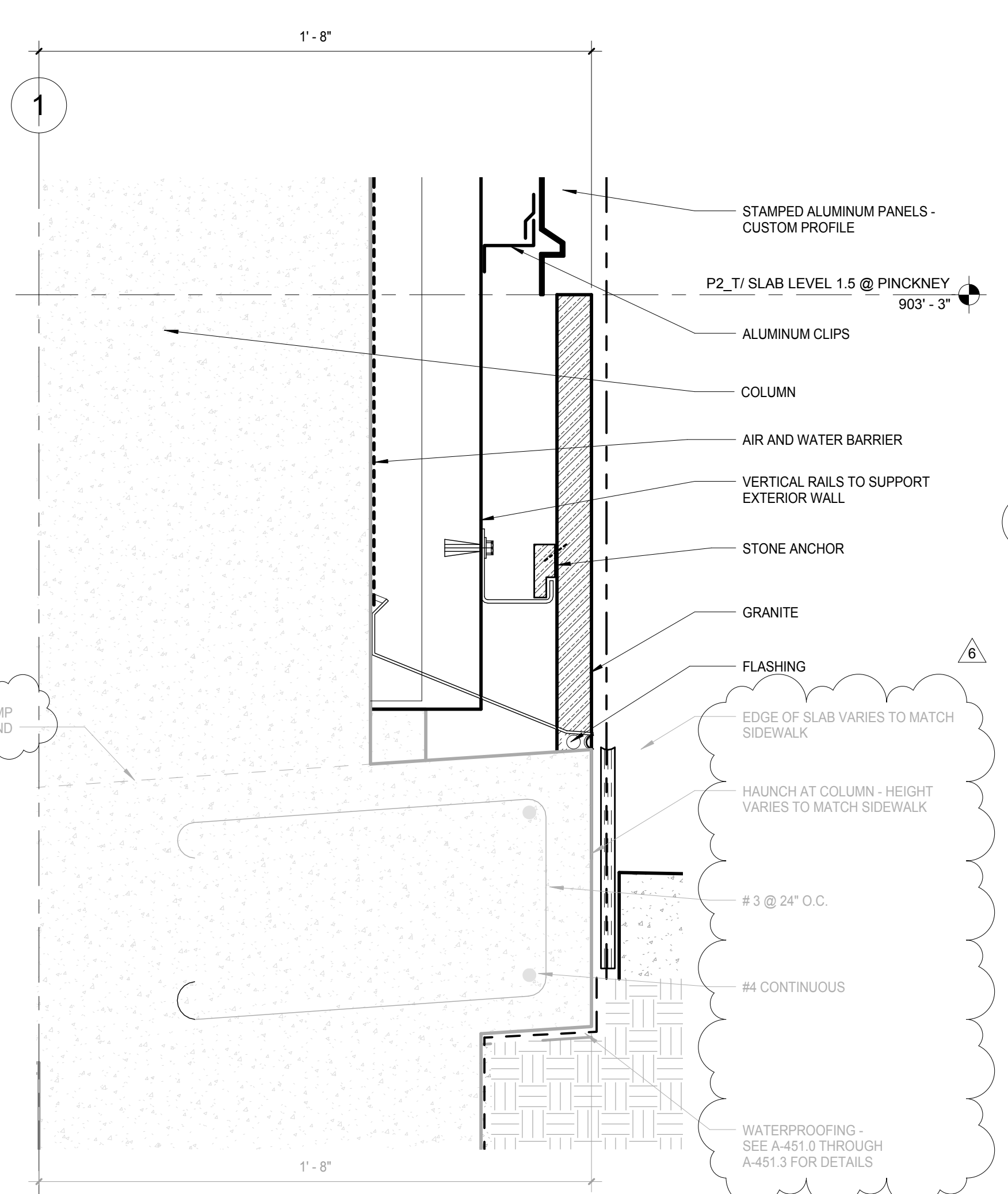
F11 WILSON SLAB DETAIL - AT PEDESTRIAN PARKING GARAGE ENTRY
SCALE: 3" = 1'-0"



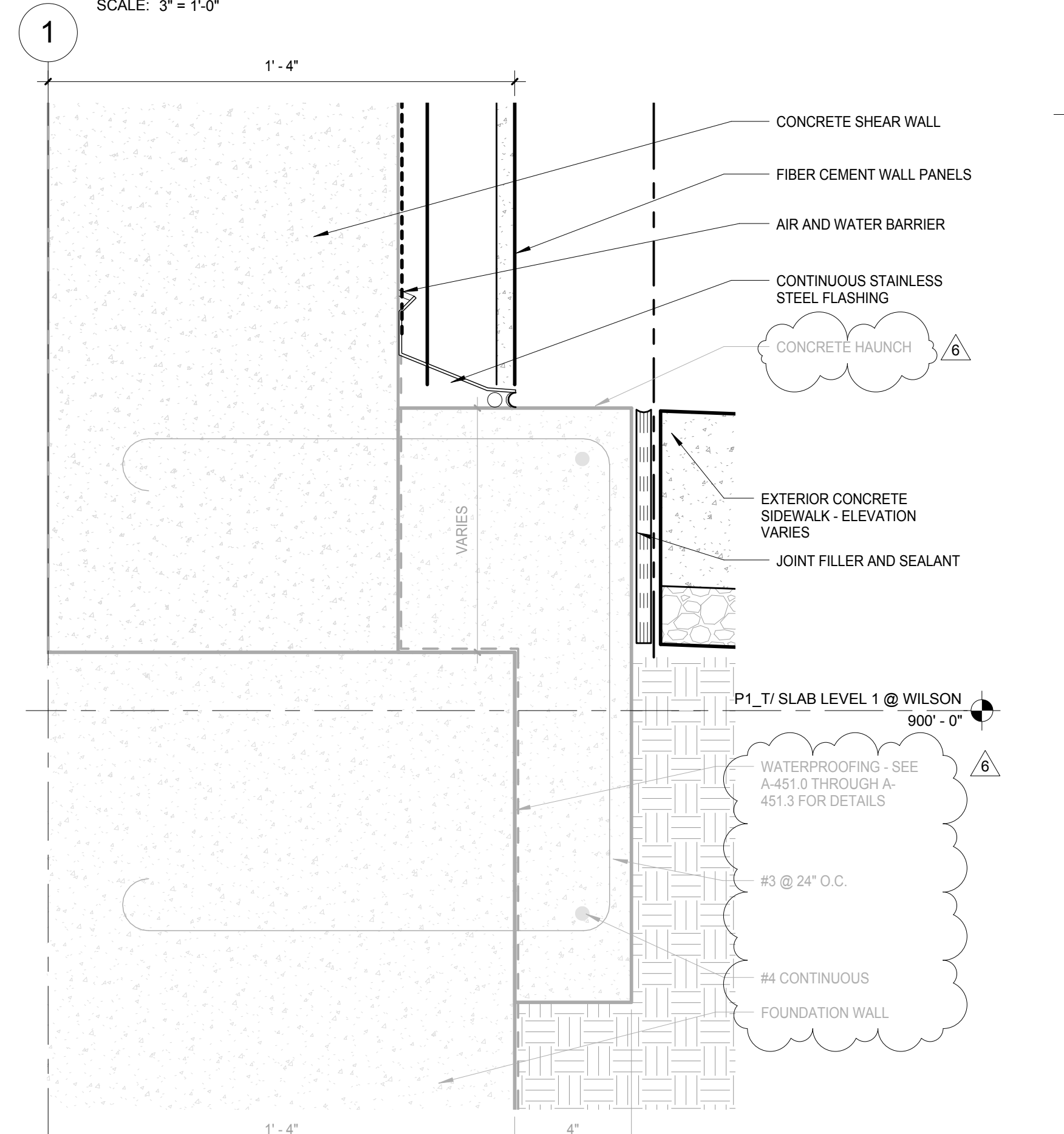
K11 WILSON SLAB DETAIL - AT CORE
SCALE: 3" = 1'-0"



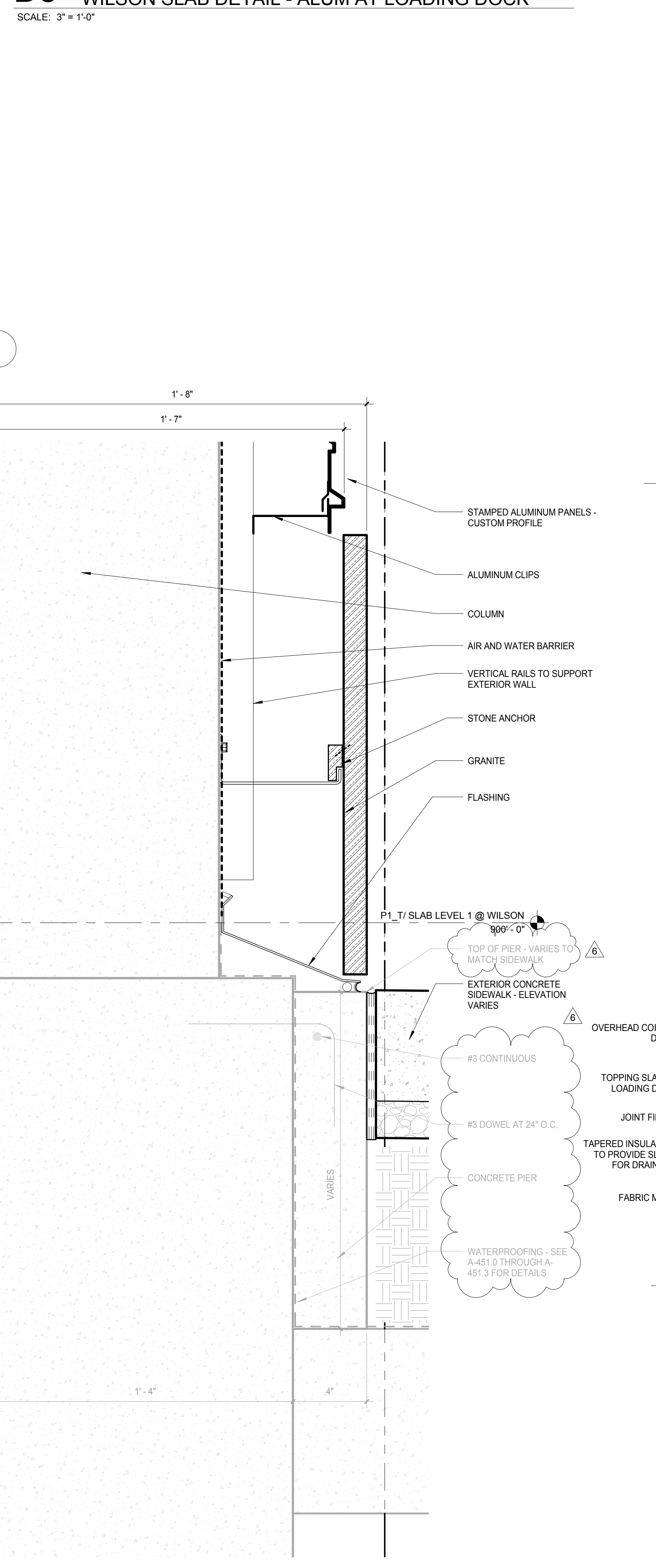
D5 WILSON SLAB DETAIL - ALUM AT LOADING DOCK
SCALE: 3" = 1'-0"



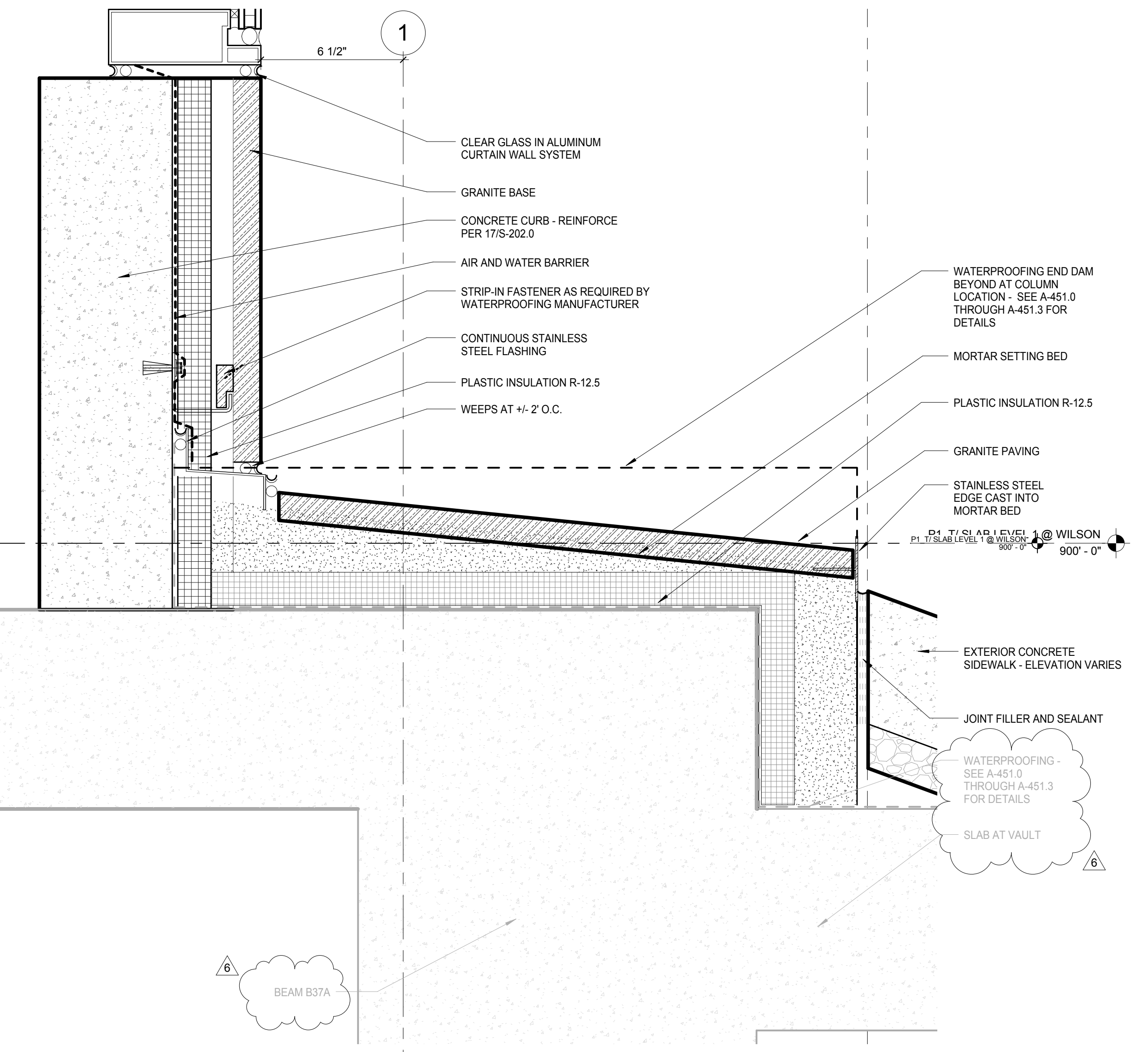
G8 WILSON SLAB DETAIL - AT MMB CORNER
SCALE: 3" = 1'-0"



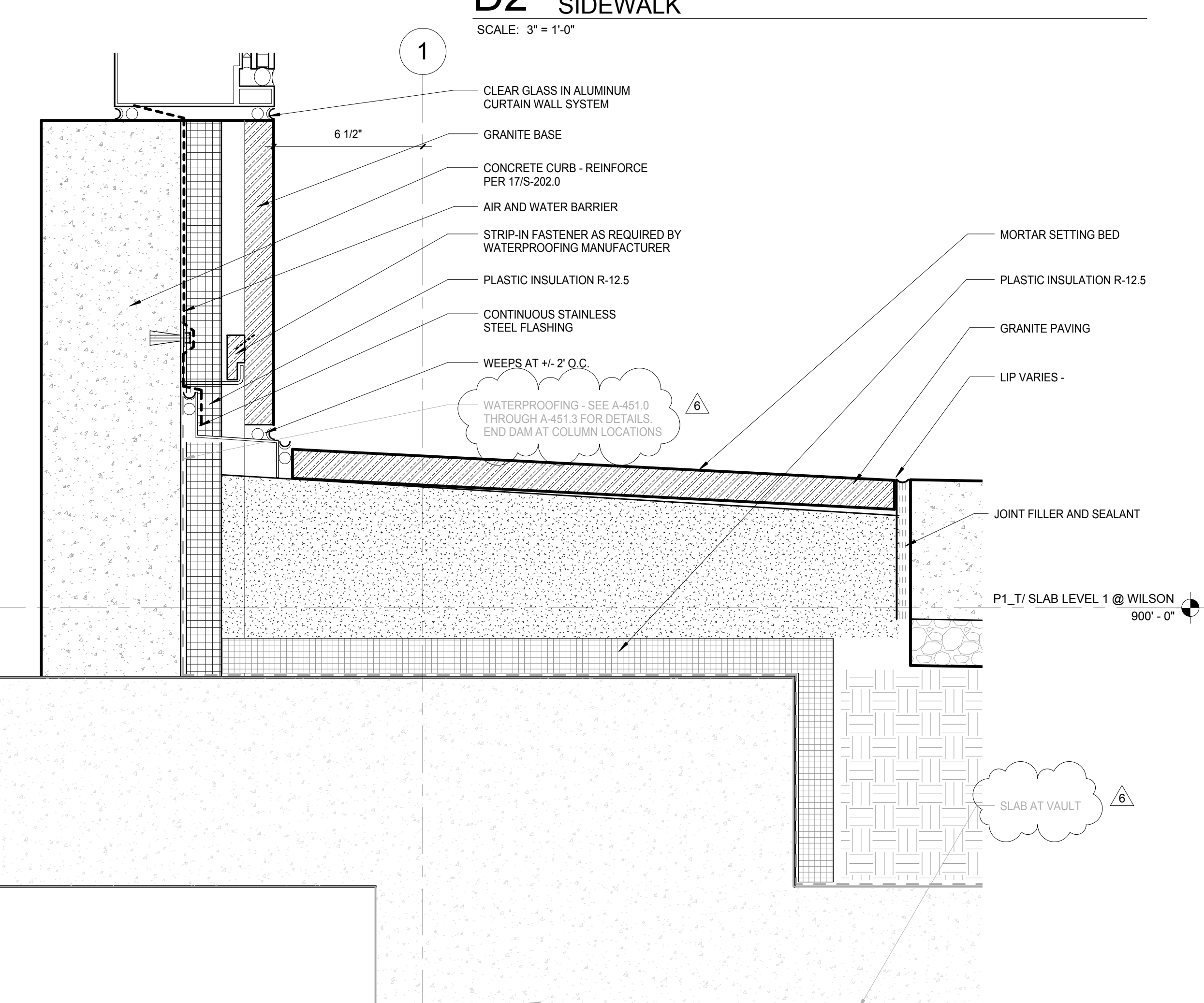
K8 WILSON SLAB DETAIL - AT FIBER CEMENT PANELS
SCALE: 3" = 1'-0"



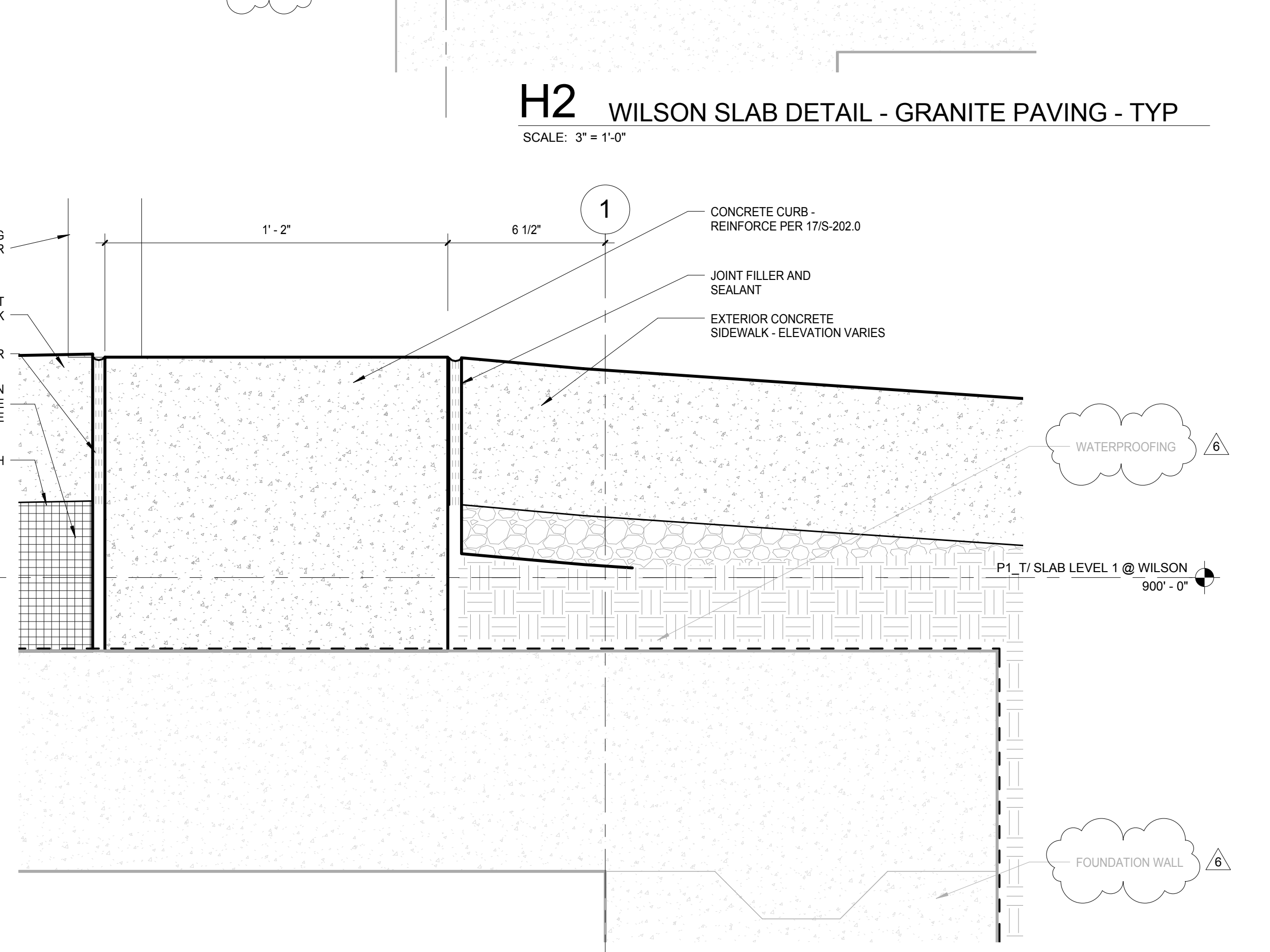
K5 WILSON SLAB DETAIL - AT PINCKNEY CORNER
SCALE: 3" = 1'-0"



D2 WILSON SLAB DETAIL - GRANITE EDGE ABOVE SIDEWALK
SCALE: 3" = 1'-0"



H2 WILSON SLAB DETAIL - GRANITE PAVING - TYP
SCALE: 3" = 1'-0"



K2 WILSON SLAB DETAIL - AT LOADING LOCK DOOR
SCALE: 3" = 1'-0"

General Notes

NOTE 1: CONSTRUCTION SHOWN HALF-TONE IS EXISTING - FOR INFORMATION ONLY

NOTE 2: CONSTRUCTION SHOWN BELOW LEVEL 1 AT WILSON AND LEVEL 2 AT DOY IS EXISTING - NO WORK TO BE DONE, UNLESS NOTED OTHERWISE

LEGEND

N.I.C. CONSTRUCTION ITEMS FOR REFERENCE ONLY - NOT IN CONTRACT - SUBJECT TO SEPARATE PERMIT

NOTE 3: REFER TO SHEET A-451.0 THROUGH A-451.3 FOR WATERPROOFING DETAILS

NOTE 4: REFER TO CIVL DRAWINGS FOR SIDEWALK ELEVATIONS

NOTE:
THE "JUDGE DOYLE PODIUM" SET HAS A SIMILAR NUMBERING SYSTEM RELATIVE TO THE "JUDGE DOYLE SQUARE - NEW MUNICIPAL PARKING FACILITY" WHICH IS INCLUDED FOR REFERENCE ONLY

6	JUDGE DOYLE PODIUM ADDENDUM 2	01/18/2019
7	ISSUED FOR PODIUM BID	12/07/2018
8	Checklist	DN

JUDGE DOYLE PODIUM
CITY OF MADISON

ARCHITECT:
lothan van hook destefano
ARCHITECTURE LLC

ASSOCIATE ARCHITECT:
INSITE CONSULTING ARCHITECTS

PARKING CONSULTANT:
WALKER

STRUCTURAL ENGINEERS:
HALVORSON AND PARTNERS

MEP/P ENGINEERS:
AEI Affiliated Engineers

CIVIL ENGINEERS:
Mead & Hunt

LANDSCAPE ARCHITECT:
WOLFF LANDSCAPE ARCHITECTURE

GROUND LEVEL DETAILS - WILSON STREET

Drawn Title

Author: 1/18/2019 4:35:30 PM

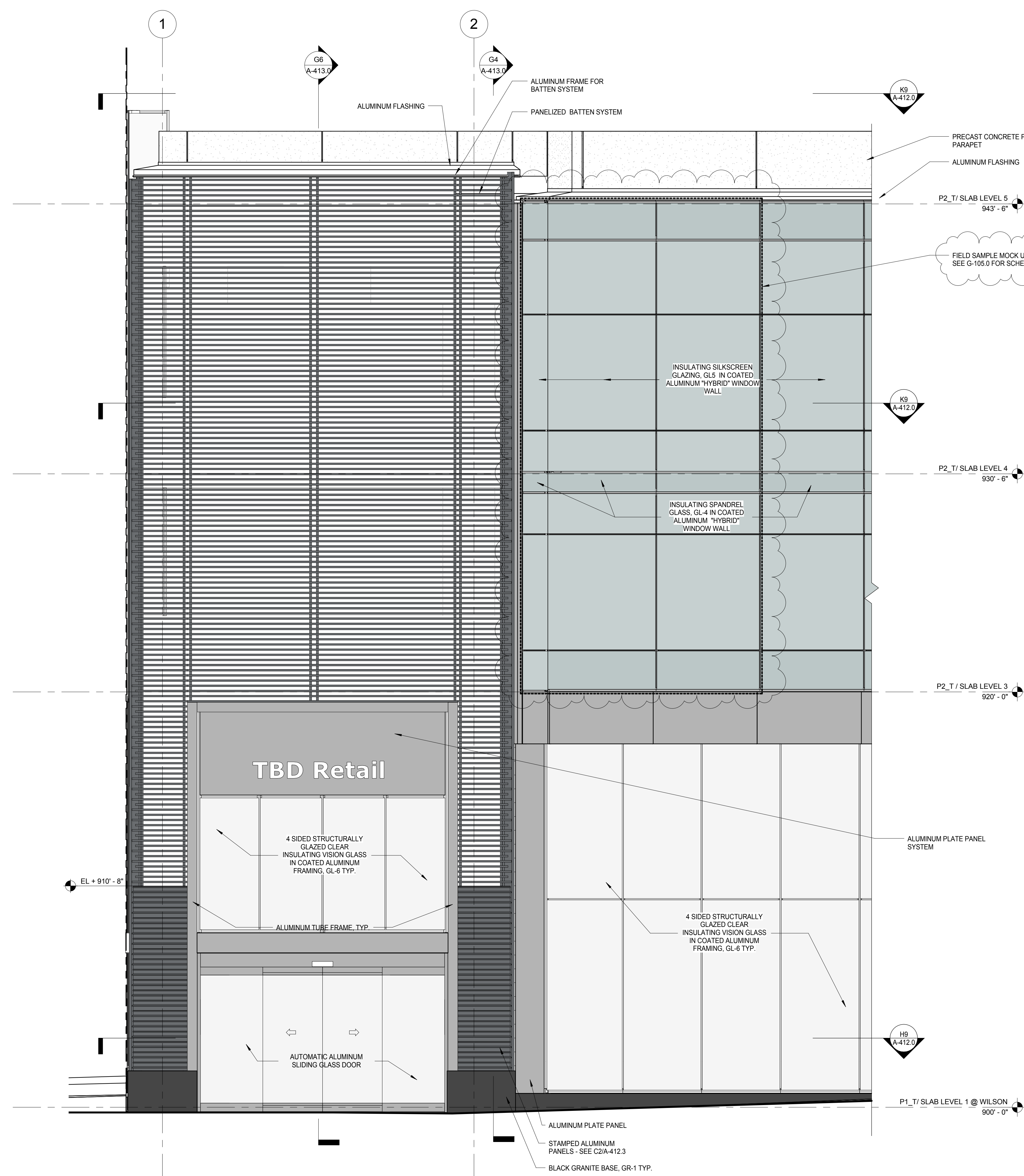
Checked By: Drawing Number

Approved

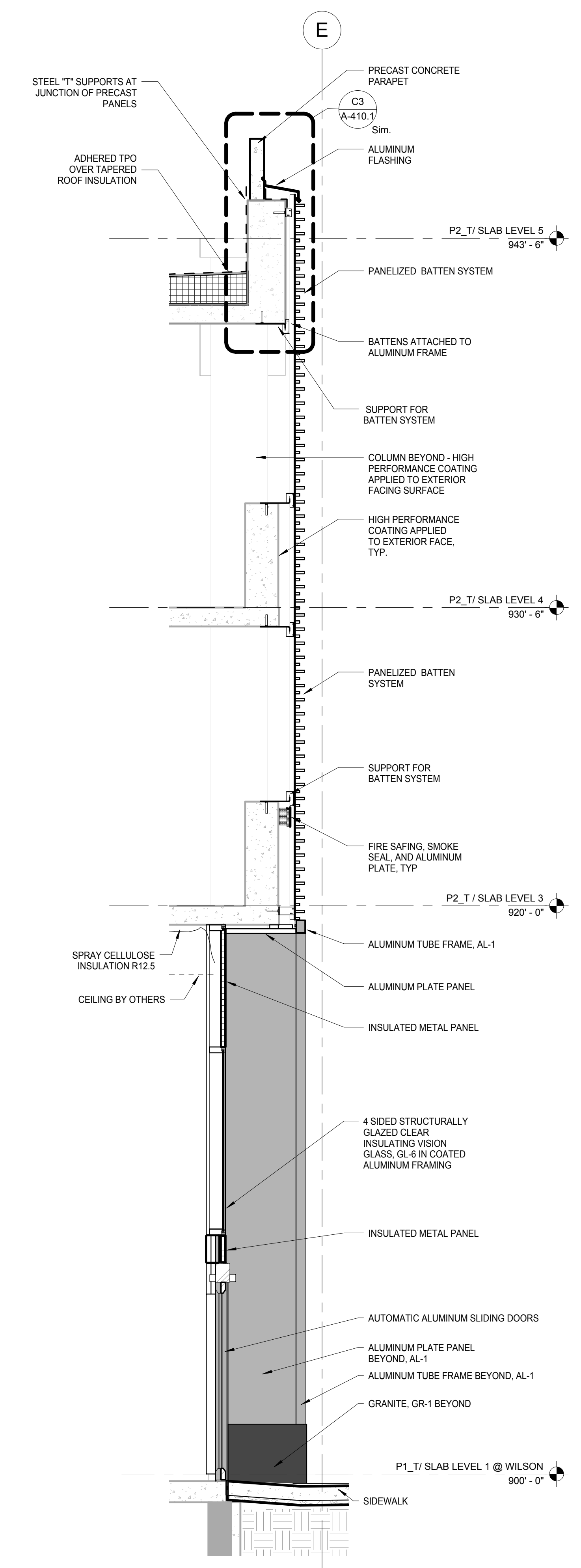
Job Number: **A-4125**

217-1088

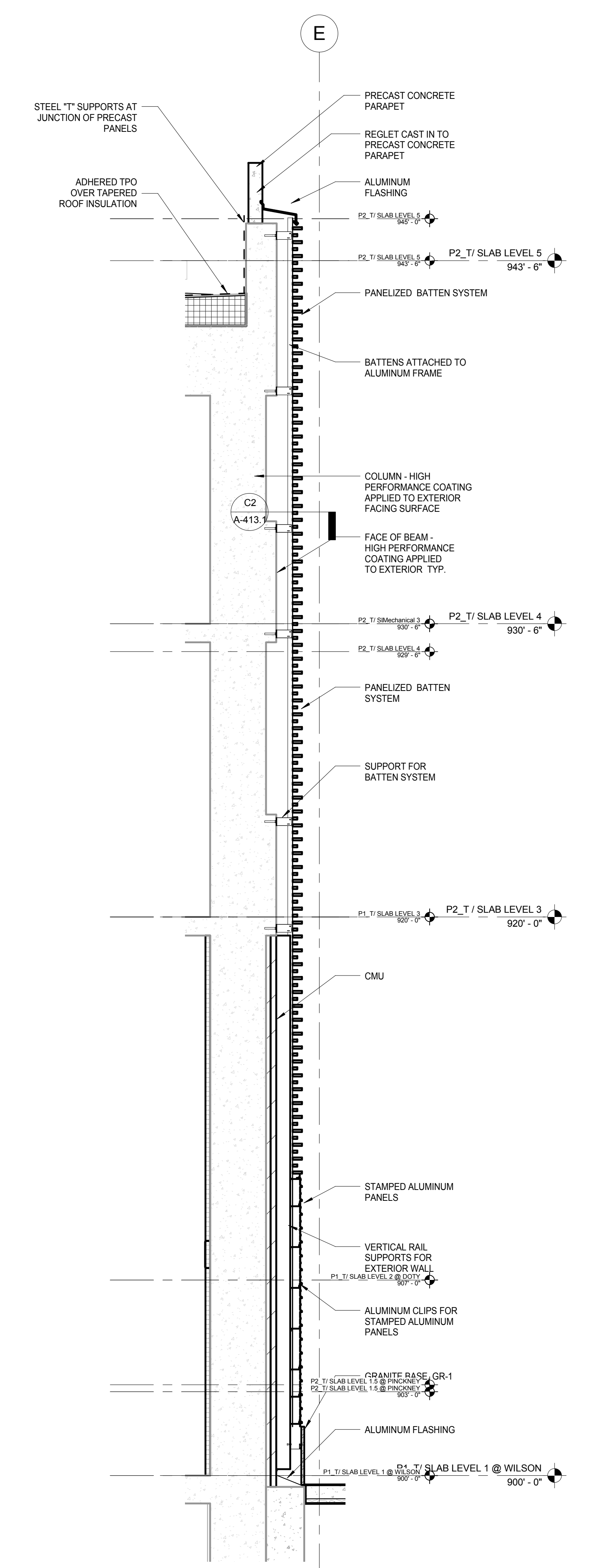
C:\Users\administrator\Documents\Judge Doyle Square - Madison Podium_invent
1/18/2019 4:35:30 PM



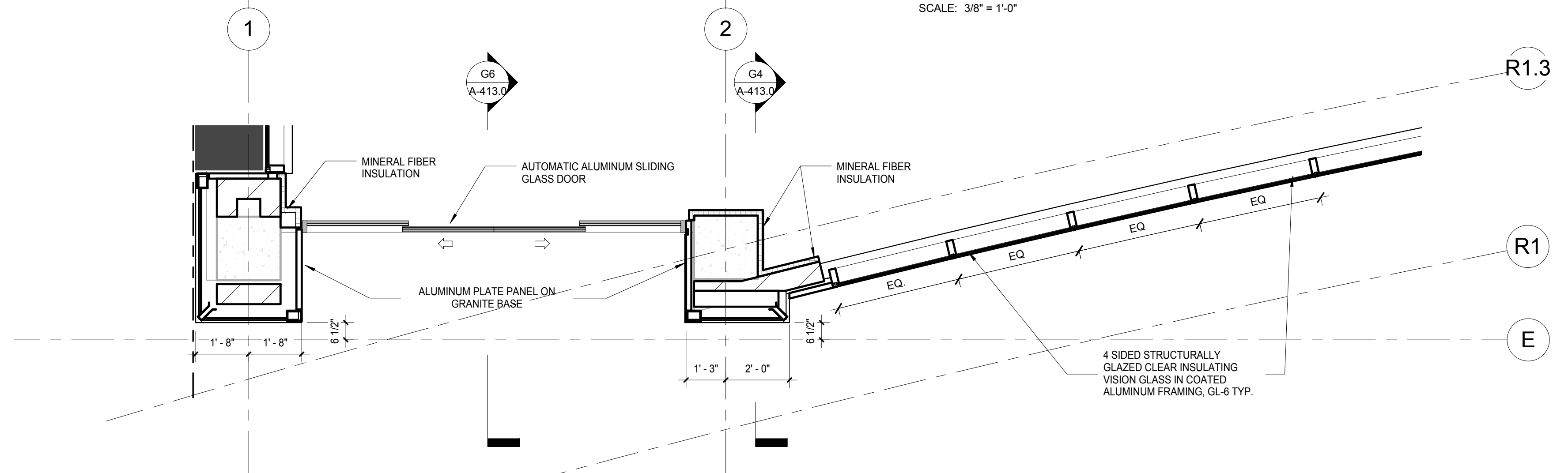
G9 EAST ELEVATION - PINCKNEY ST. ENLARGED ELEVATION
SCALE: 3/8" = 1'-0"



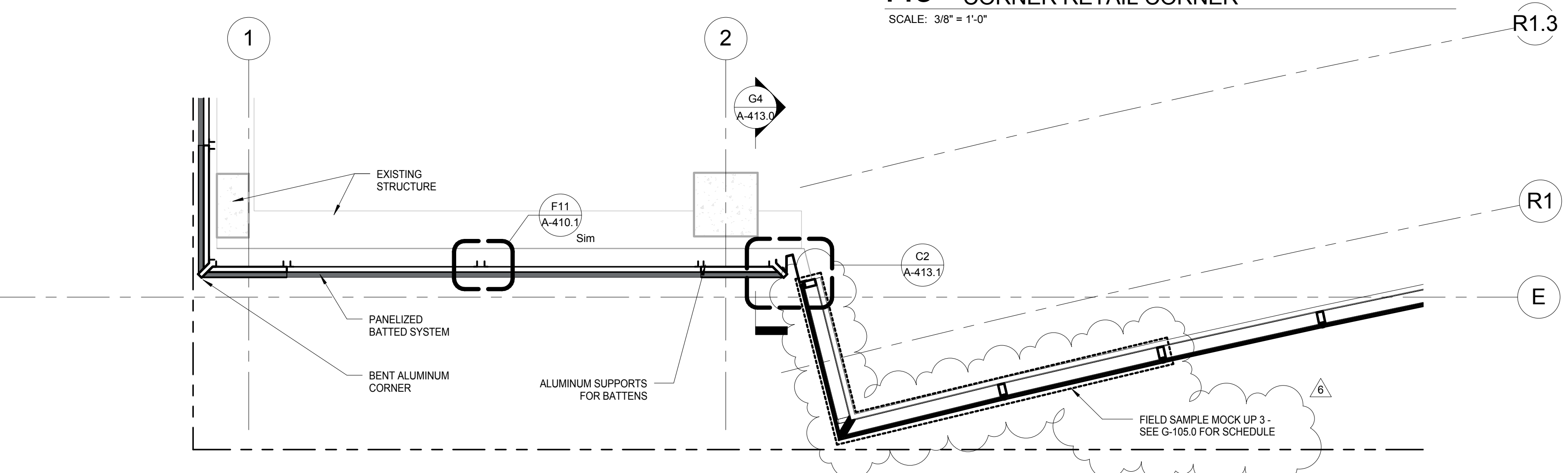
G6 ENL WALL SECTION - PINCKNEY - CORNER RETAIL ENTRY
SCALE: 3/8" = 1'-0"



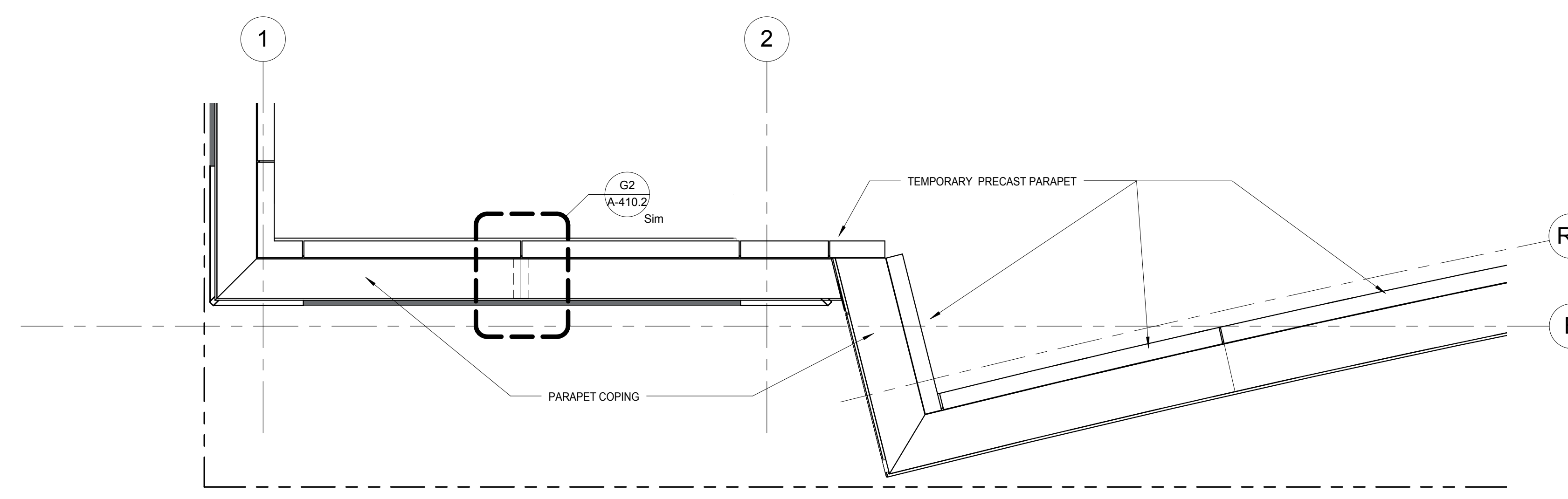
G4 ENL WALL SECTION - PINCKNEY - CORNER RETAIL BATTEN SECTION
SCALE: 3/8" = 1'-0"



H9 LEVEL 1 ENLARGED PLAN - PINCKNEY ST. ENTRY - CORNER RETAIL CORNER
SCALE: 3/8" = 1'-0"



K9 LEVEL 4 ENLARGED PLAN - PINCKNEY & WILSON CORNER
SCALE: 3/8" = 1'-0"



1 ENLARGED ROOF PLAN - PINCKNEY & WILSON CORNER
SCALE: 3/8" = 1'-0"

General Notes

NOTE:
THE "JUDGE DOYLE PODIUM" SET HAS A SIMILAR NUMBERING SYSTEM RELATIVE TO THE "JUDGE DOYLE SQUARE - NEW MUNICIPAL PARKING FACILITY" WHICH IS INCLUDED FOR REFERENCE ONLY

6	JUDGE DOYLE PODIUM ADDENDUM 2	01/18/2019
4	ISSUED FOR PODIUM BID	12/07/2018
3	ISSUED FOR STATE PLAN REVIEW	11/16/2018
2	Checklist	DN

JUDGE DOYLE PODIUM
CITY OF MADISON

ARCHITECT:
lothan van hook destefano
ARCHITECTURE LLC

ASSOCIATE ARCHITECT:
INSITE CONSULTING ARCHITECTS

PARKING CONSULTANT:
WALKER

STRUCTURAL ENGINEERS:
HALLORSON AND PARTNERS

MEP/P ENGINEERS:
AEI Affiliated Engineers

CIVIL ENGINEERS:
Mead & Hunt

LANDSCAPE ARCHITECT:
WOLFF LANDSCAPE ARCHITECTURE
PLANNING
LANDSCAPE ARCHITECTURE
URBAN DESIGN

Drawing Title
EXTERIOR WALL DETAILS - GROUND LEVEL - ELEVATION, PLAN & SECTION

Drawn _____ **Date** _____
Author _____ **1/18/2019 4:34:00 PM**
Checked By _____ **Drawing Number** _____
Approver _____
Job Number _____ **A-413.0**
217-1088

© 2019 Lothan Van Hook Destefano Architecture LLC

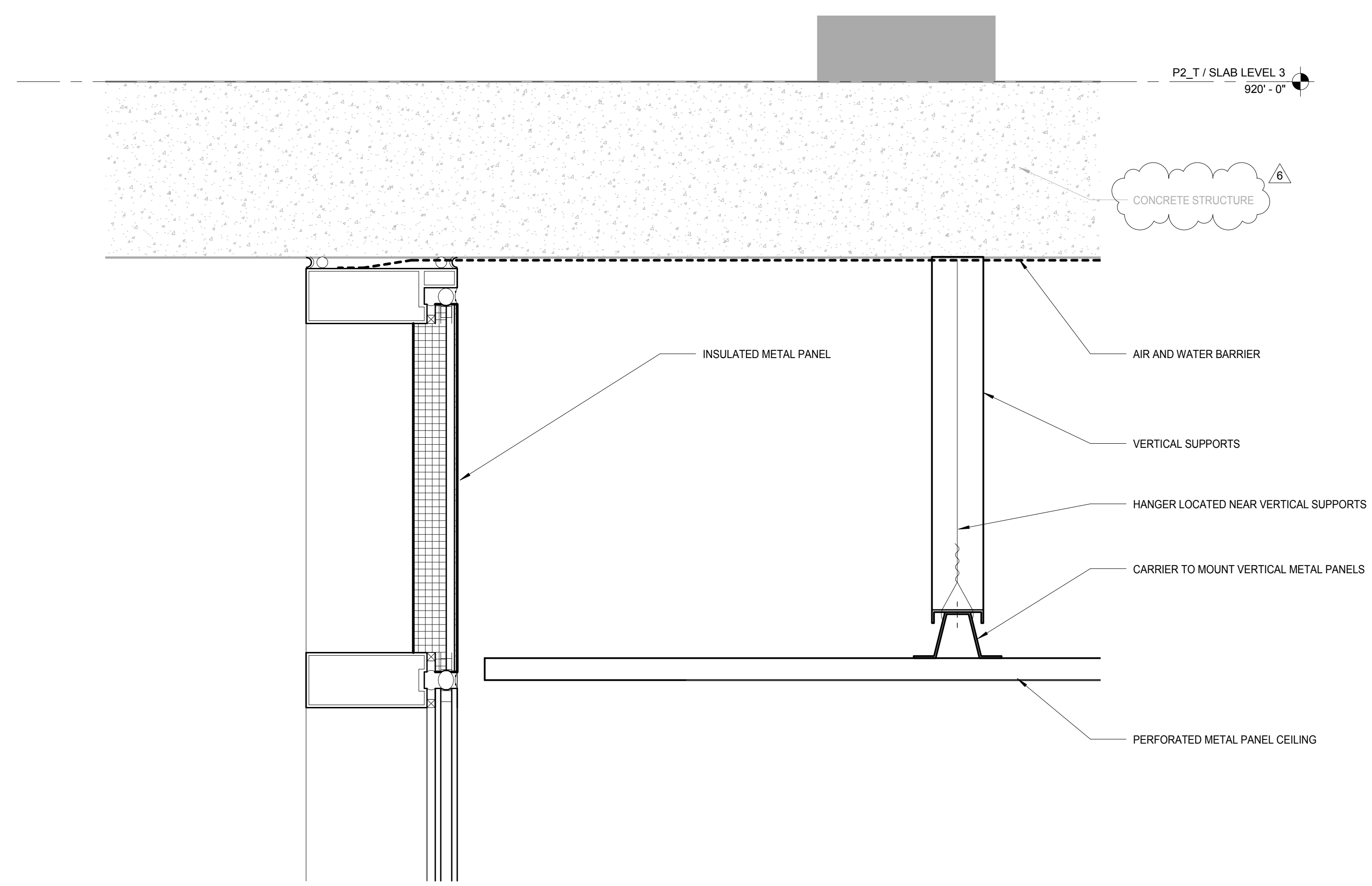
C:\Users\administrator\Documents\Judge Doyle Square - Madison Podium_insd\INT 1/18/2019 4:34:00 PM

General Notes

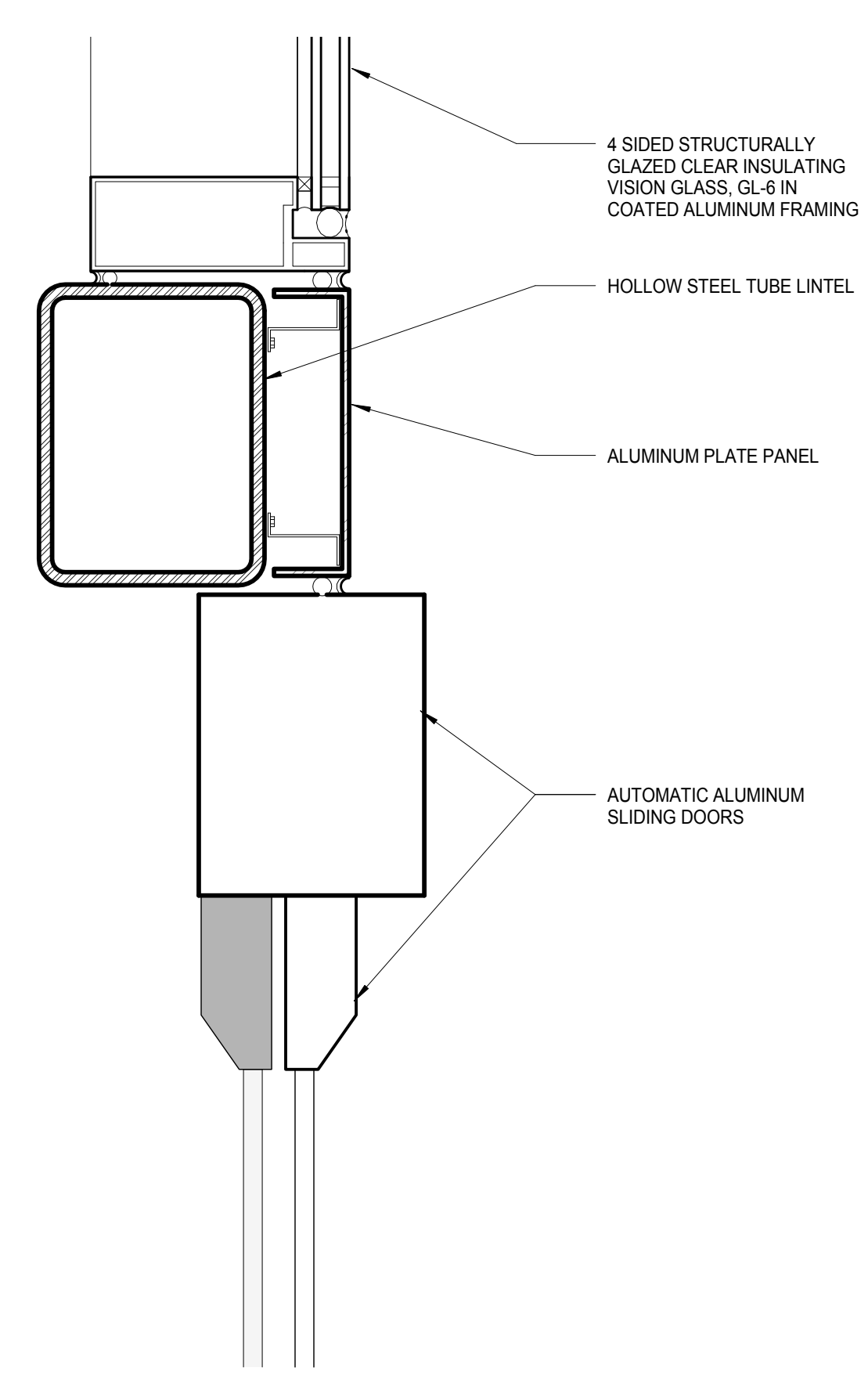
NOTE 1: CONSTRUCTION SHOWN HALF-TONE IS EXISTING - FOR INFORMATION ONLY
 NOTE 2: CONSTRUCTION SHOWN BELOW LEVEL 1 AT WILSON AND LEVEL 2 AT DOYI IS EXISTING - NO WORK TO BE DONE, UNLESS NOTED OTHERWISE

LEGEND

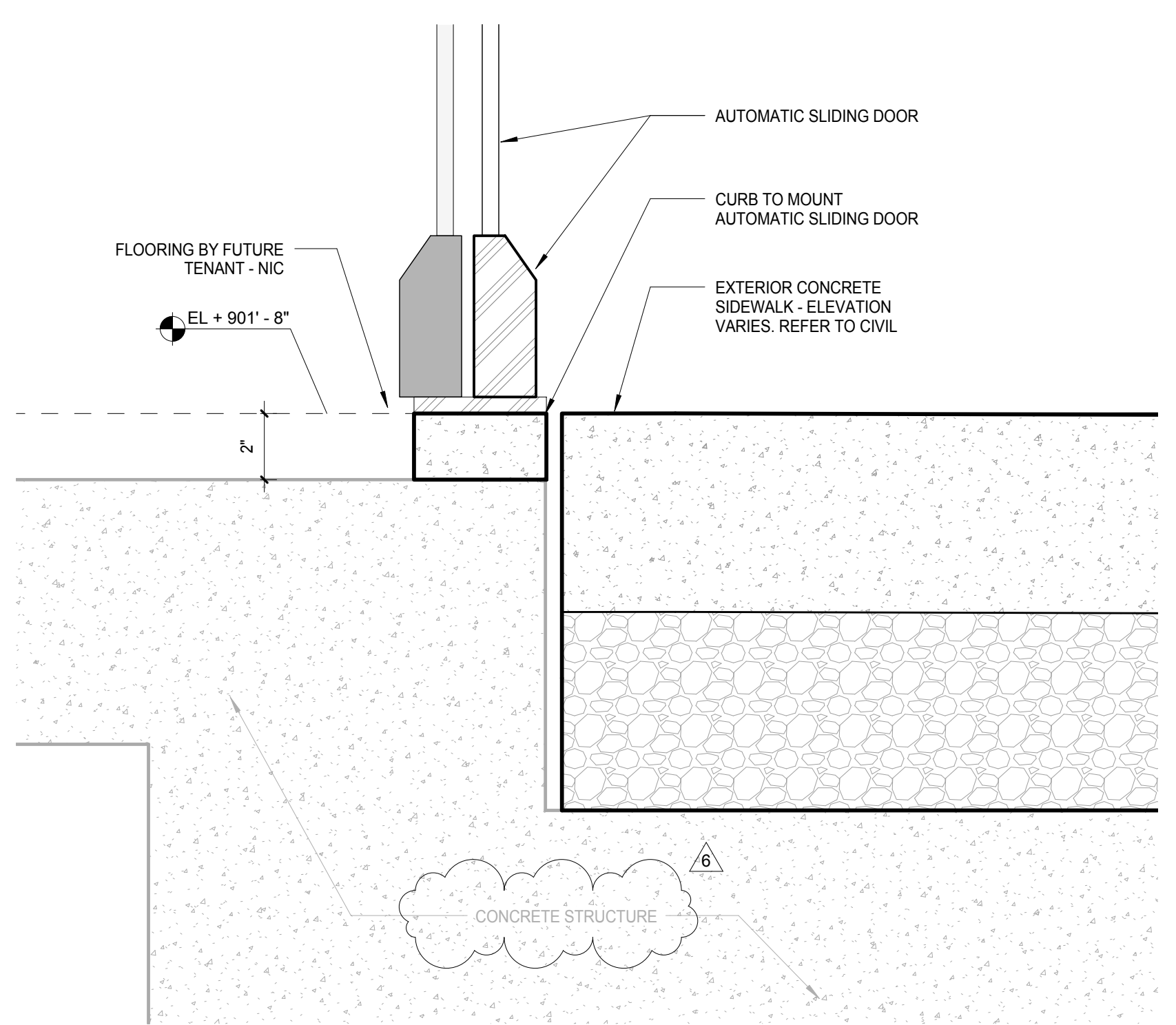
	CONSTRUCTION ITEMS FOR REFERENCE ONLY - NOT IN CONTRACT - SUBJECT TO SEPARATE PERMIT
--	--



D3 ENL DETAIL - LINEAR CEILING
 SCALE: 3" = 1'-0"



G3 ENL DETAIL - AUTOMATIC SLIDING DOOR HEAD
 SCALE: 3" = 1'-0"



K3 ENL DETAIL - AUTOMATIC SLIDING DOOR SILL
 SCALE: 3" = 1'-0"

NOTE:
 THE "JUDGE DOYLE PODIUM" SET HAS A SIMILAR NUMBERING SYSTEM RELATIVE TO THE "JUDGE DOYLE SQUARE - NEW MUNICIPAL PARKING FACILITY" WHICH IS INCLUDED FOR REFERENCE ONLY

No.	Description	Date
6	JUDGE DOYLE PODIUM ADDENDUM 2	01/18/2019
4	ISSUED FOR PODIUM BID	12/07/2018
1	CONSTRUCTION	12/07/2018

JUDGE DOYLE PODIUM
 CITY OF MADISON

ARCHITECT:
lothan van hook destefano
 ARCHITECTURE LLC

ASSOCIATE ARCHITECT:
INSITE CONSULTING ARCHITECTS

PARKING CONSULTANT:
WALKER

STRUCTURAL ENGINEERS:
HALVORSON AND PARTNERS

ME/P/E ENGINEERS:
AEI Affiliated Engineers

CIVIL ENGINEERS:
Mead & Hunt

LANDSCAPE ARCHITECT:
WOLFF LANDSCAPE ARCHITECTURE

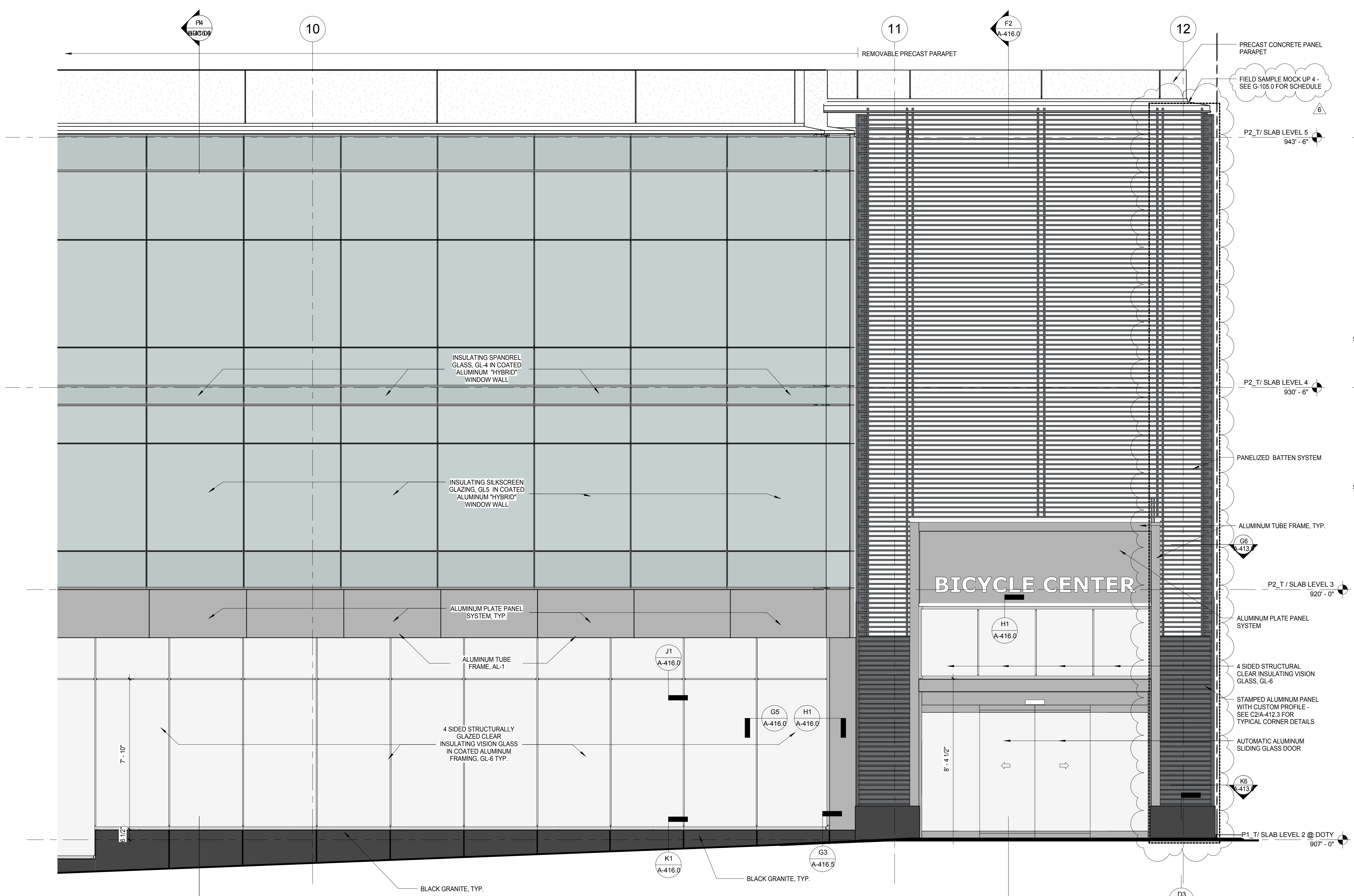
EXTERIOR WALL DETAILS - GROUND LEVEL - SECTION DETAILS

Drawn	Date
Author	1/18/2019 4:36:16 PM
Checked By	Drawing Number
Checker	
Approved	
Approver	
Job Number	A-414.1
217-1088	

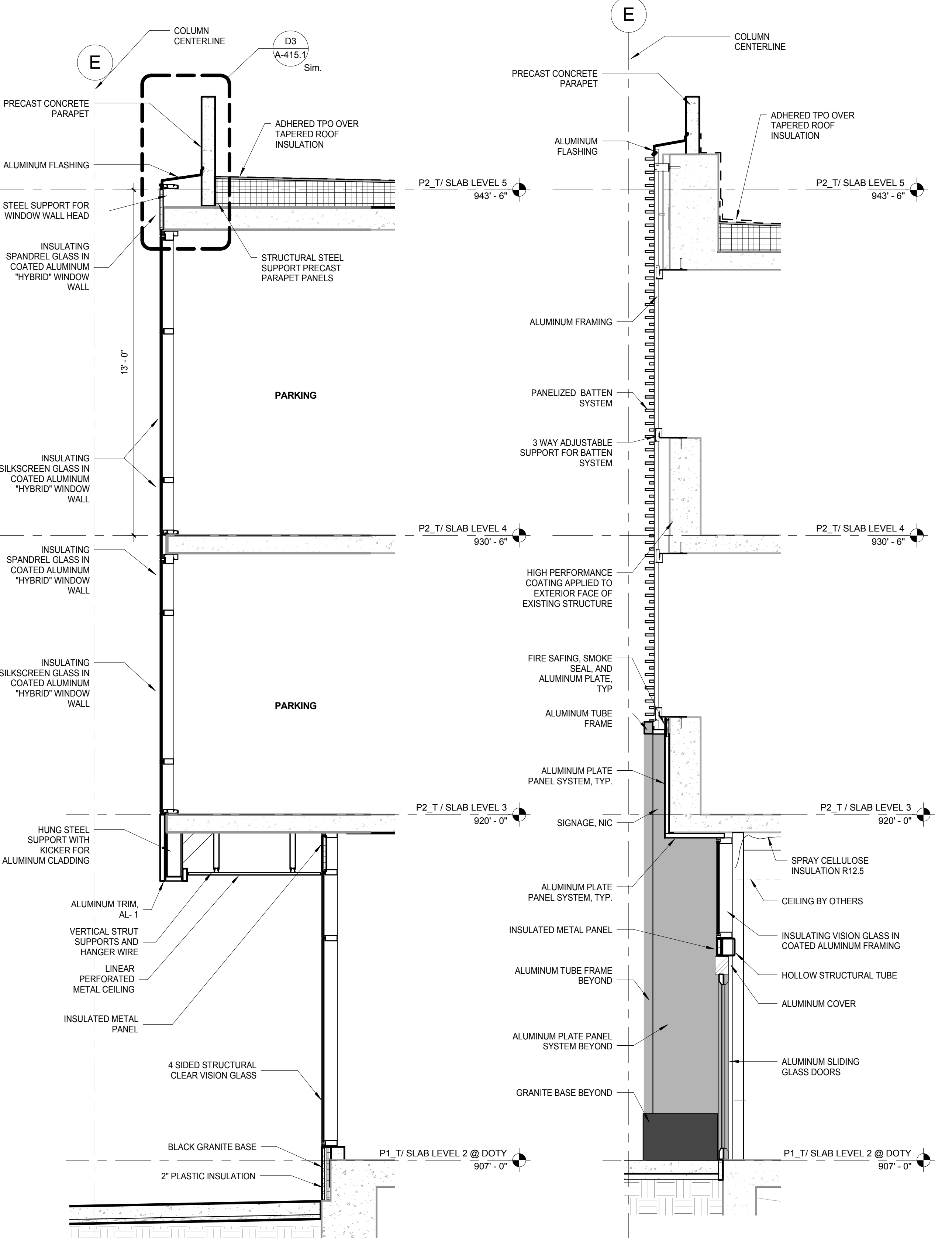
General Notes
 NOTE 1: CONSTRUCTION SHOWN HALF-TONE IS EXISTING - FOR INFORMATION ONLY
 NOTE 2: CONSTRUCTION SHOWN BELOW LEVEL 1 AT WILSON AND LEVEL 2 AT DOTY IS EXISTING - NO WORK TO BE DONE, UNLESS NOTED OTHERWISE

LEGEND
 N.I.C. CONSTRUCTION ITEMS FOR REFERENCE ONLY - NOT IN CONTRACT - SUBJECT TO SEPARATE PERMIT

NOTE:
 THE "JUDGE DOYLE PODIUM" SET HAS A SIMILAR NUMBERING SYSTEM RELATIVE TO THE "JUDGE DOYLE SQUARE - NEW MUNICIPAL PARKING FACILITY" WHICH IS INCLUDED FOR REFERENCE ONLY

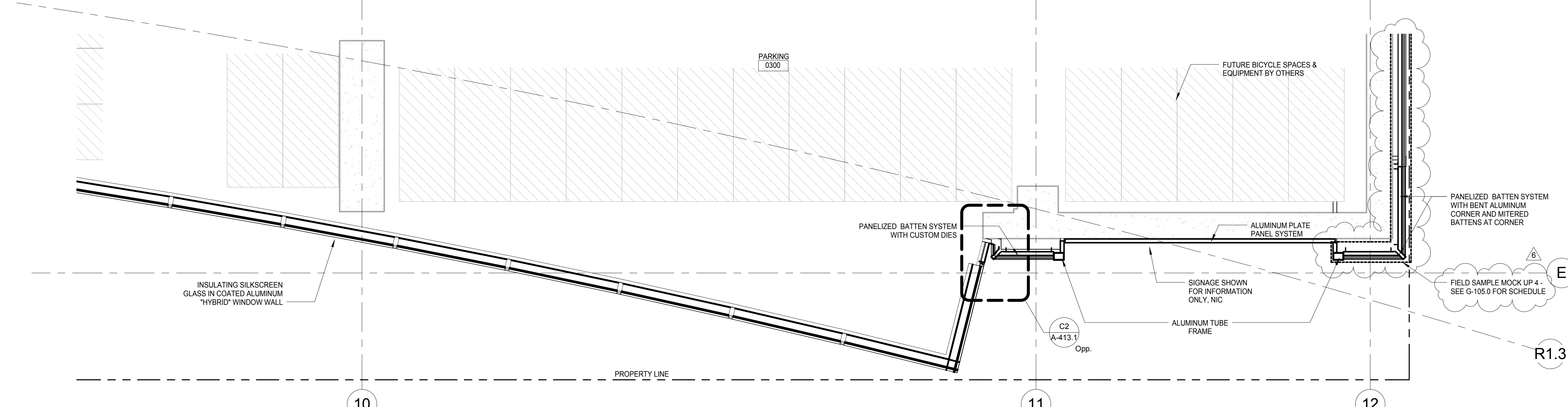


F6 EAST ELEVATION - PINCKNEY ST.
 ENLARGED ELEVATION
 SCALE: 3/8" = 1'-0"

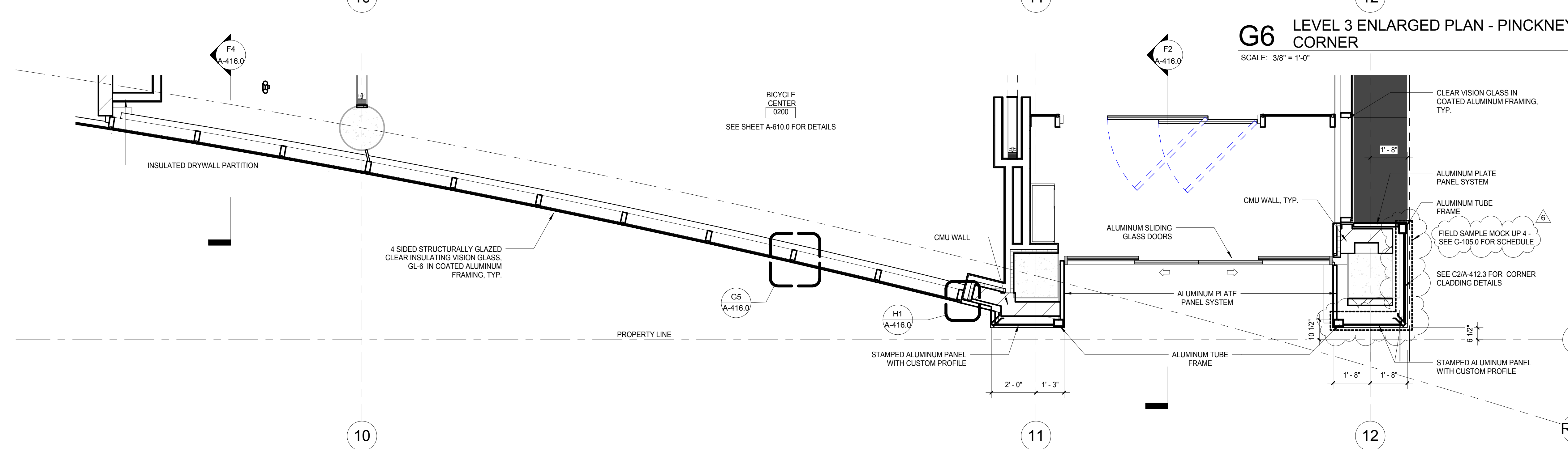


F4 GROUND LEVEL WINDOW WALL -
 PINCKNEY ST RETAIL
 SCALE: 3/8" = 1'-0"

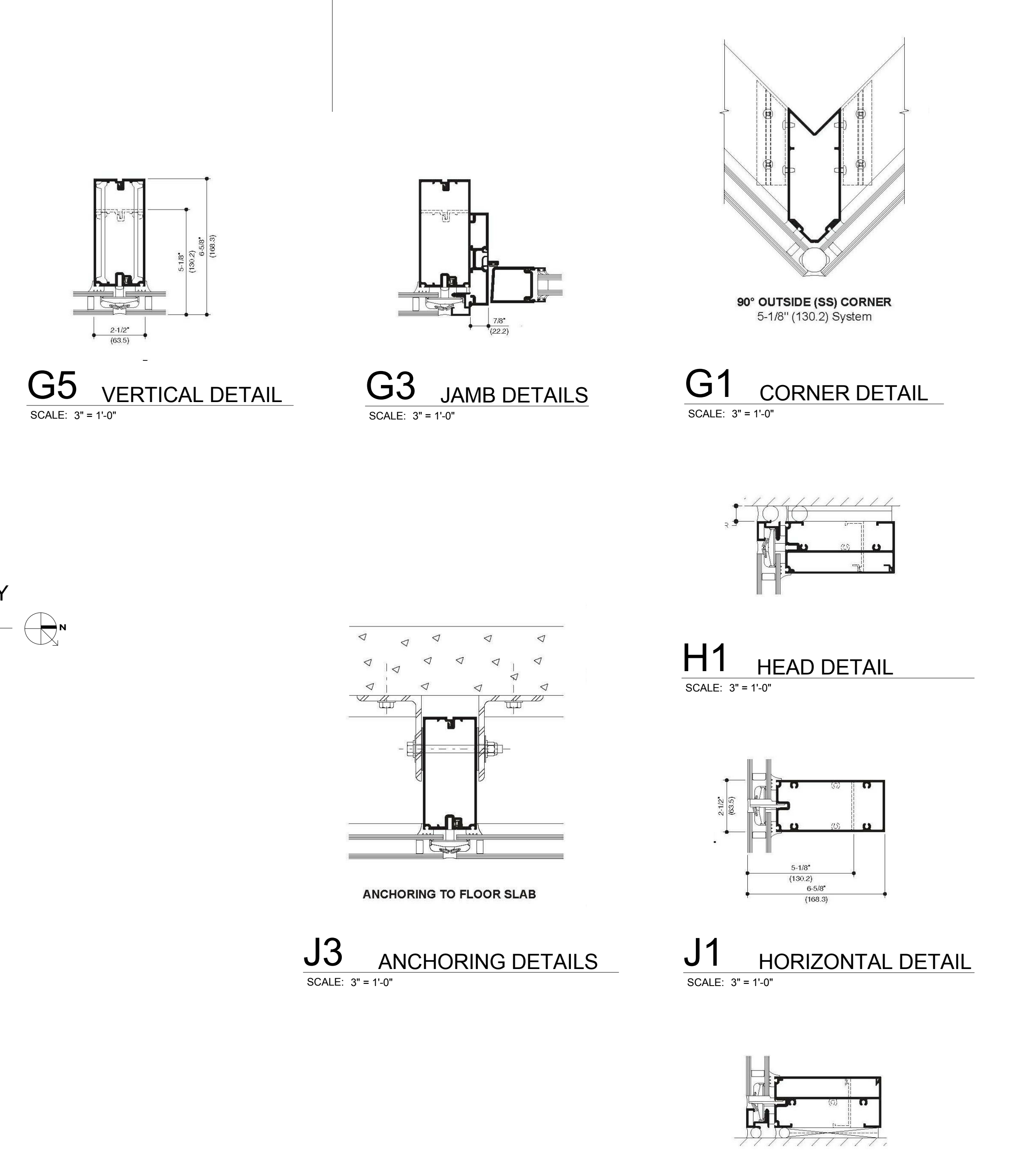
F2 TYP. EXTERIOR WALL SECTION PINCKNEY ST.
 RETAIL ENTRY
 SCALE: 3/8" = 1'-0"



G6 LEVEL 3 ENLARGED PLAN - PINCKNEY - DOTY
 CORNER
 SCALE: 3/8" = 1'-0"



K6 LEVEL 2 PLAN - PINCKNEY ST.
 ENLARGED BICYCLE CENTER ENTRY PLAN
 SCALE: 3/8" = 1'-0"



G5 VERTICAL DETAIL
 SCALE: 3" = 1'-0"

G3 JAMB DETAILS
 SCALE: 3" = 1'-0"

G1 CORNER DETAIL
 SCALE: 3" = 1'-0"

H1 HEAD DETAIL
 SCALE: 3" = 1'-0"

J3 ANCHORING DETAILS
 SCALE: 3" = 1'-0"

J1 HORIZONTAL DETAIL
 SCALE: 3" = 1'-0"

K1 SILL DETAIL
 SCALE: 3" = 1'-0"

6	JUDGE DOYLE PODIUM ADDENDUM 2	01/18/2019
4	ISSUED FOR PODIUM BID	12/07/2018
3	ISSUED FOR STATE PLAN REVIEW	11/16/2018
2	ISSUED FOR DESIGN DEVELOPMENT	09/14/2018
1	ISSUED FOR SCHEMATIC DESIGN	07/20/2018
Rev.	Description	Date

JUDGE DOYLE PODIUM
 CITY OF MADISON
 ARCHITECT:
lothan van hook destefano
 ARCHITECTURE LLC

ASSOCIATE ARCHITECT:
INSITE CONSULTING ARCHITECTS
 PARKING CONSULTANT:
WALKER
 STRUCTURAL ENGINEERS:
H. ALVORSON AND PARTNERS
 ME/FP ENGINEERS:
AEI Affiliated Engineers
 CIVIL ENGINEERS:
Mead & Hunt
 LANDSCAPE ARCHITECT:
WOLFF LANDSCAPE ARCHITECTURE
 PLANNING LANDSCAPE ARCHITECTURE URBAN DESIGN

Drawing Title
EXTERIOR WALL DETAILS - GROUND LEVEL - ELEVATION, PLAN & SECTION
 Drawn: [] Date: []
 Author: 1/18/2019 4:36:39 PM
 Checked By: [] Drawing Number: []
 Approved: []
 Approver: []
 Job Number: []
A-416.0
 217-1088
 © 2019 Lothan Van Hook Destefano Architecture LLC

C:\Users\administrator\Documents\Judge Doyle Square - Madison Podium_invt\1/18/2019 4:36:39 PM

General Notes

NOTE 1: CONSTRUCTION SHOWN HALF-TONE IS EXISTING - FOR INFORMATION ONLY

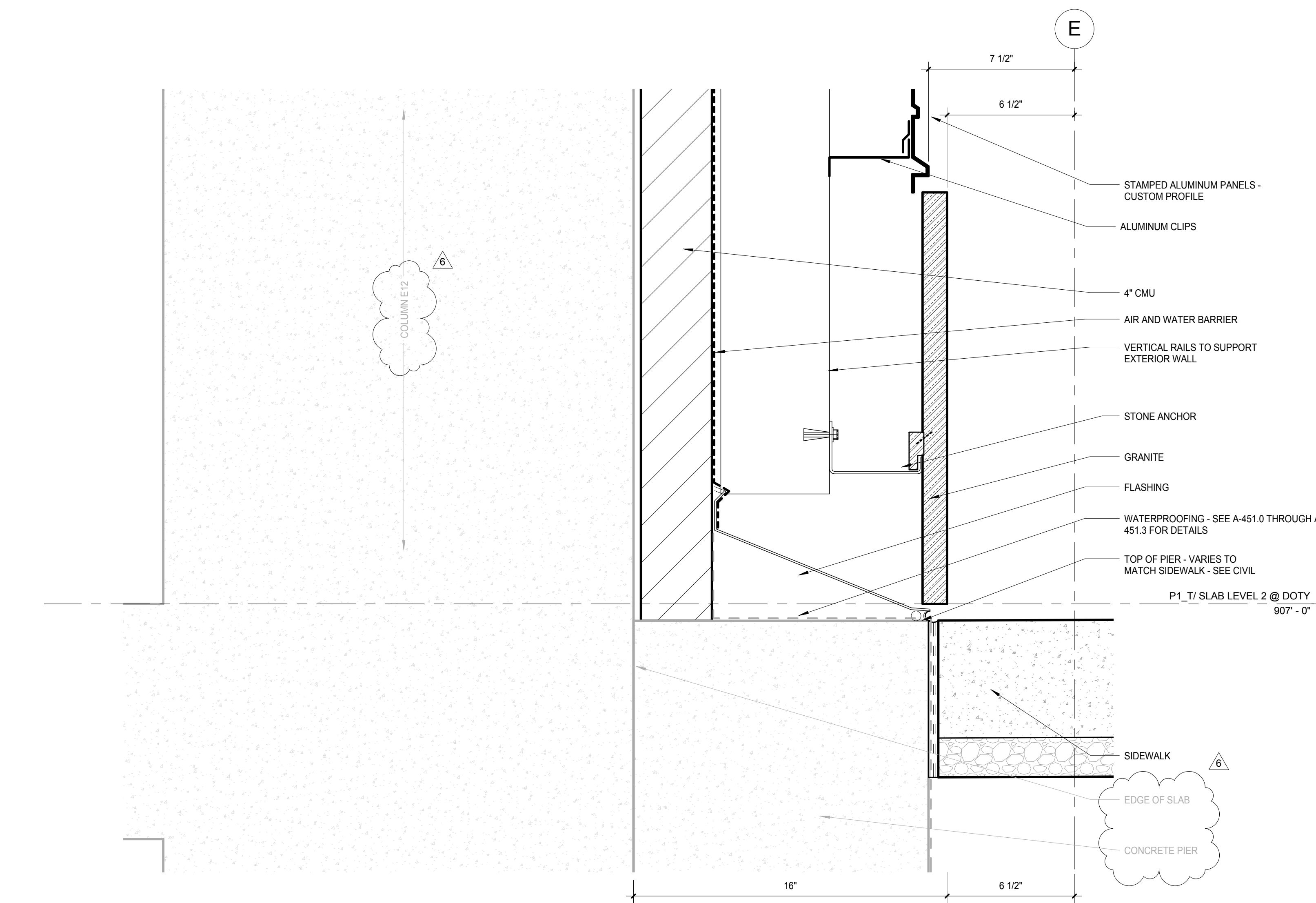
NOTE 2: CONSTRUCTION SHOWN BELOW LEVEL 1 AT WILSON AND LEVEL 2 AT DOTY IS EXISTING - NO WORK TO BE DONE, UNLESS NOTED OTHERWISE

LEGEND

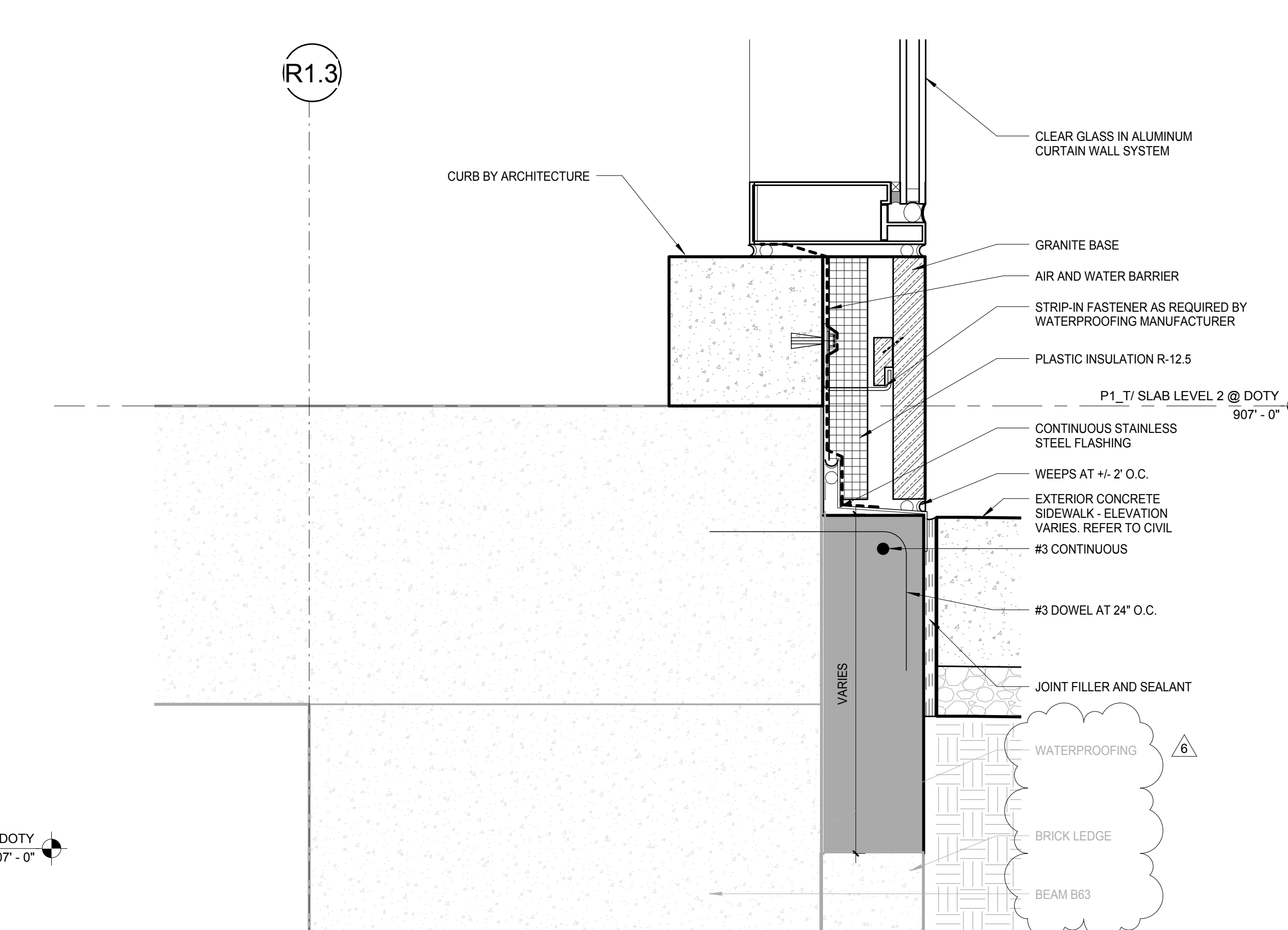
N.I.C. CONSTRUCTION ITEMS FOR REFERENCE ONLY - NOT IN CONTRACT - SUBJECT TO SEPARATE PERMIT

NOTE 3: REFER TO SHEET A-451.0 THROUGH A-451.3 FOR WATERPROOFING DETAILS

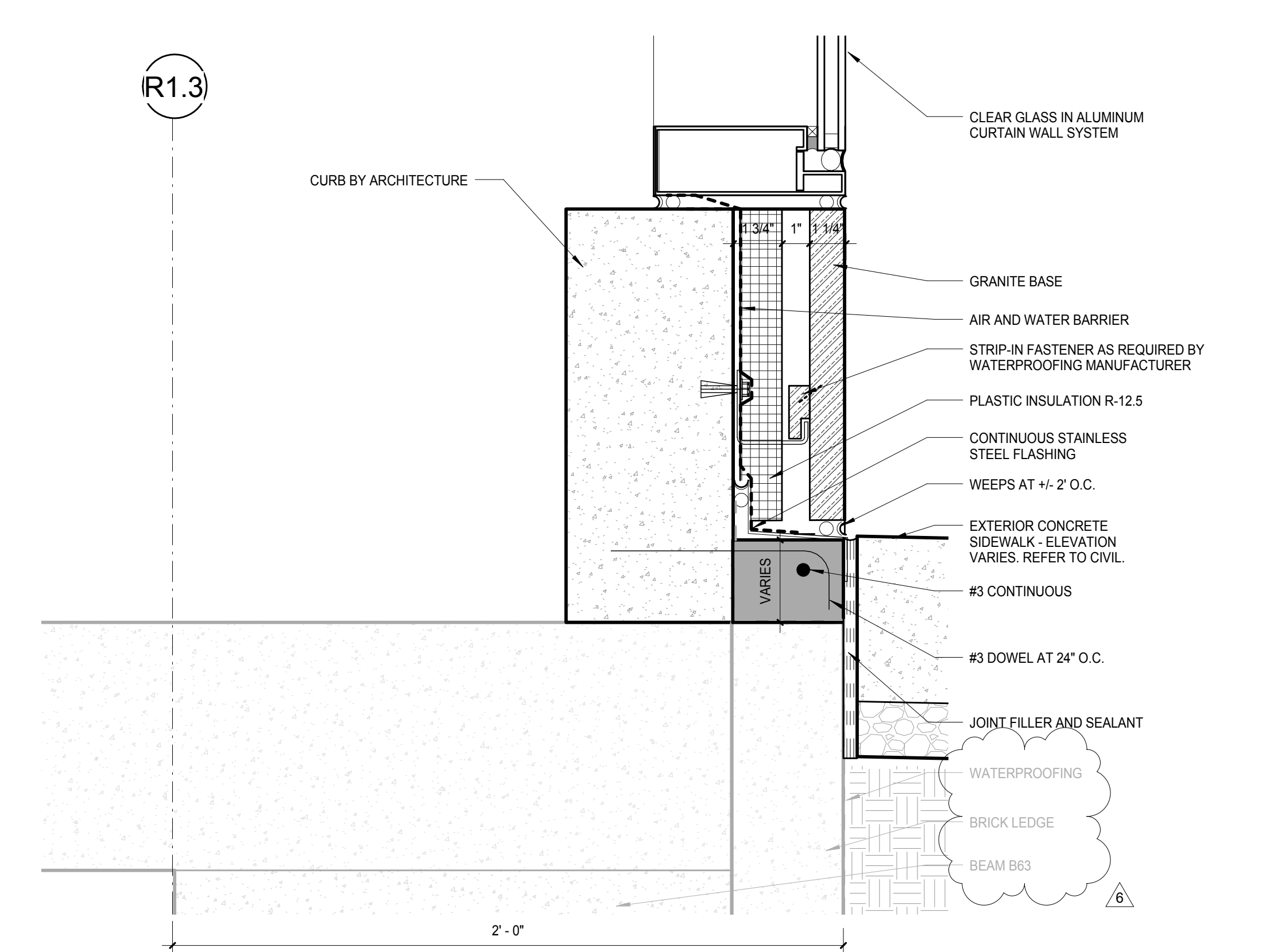
NOTE 4: REFER TO CIVIL DRAWINGS FOR SIDEWALK ELEVATIONS



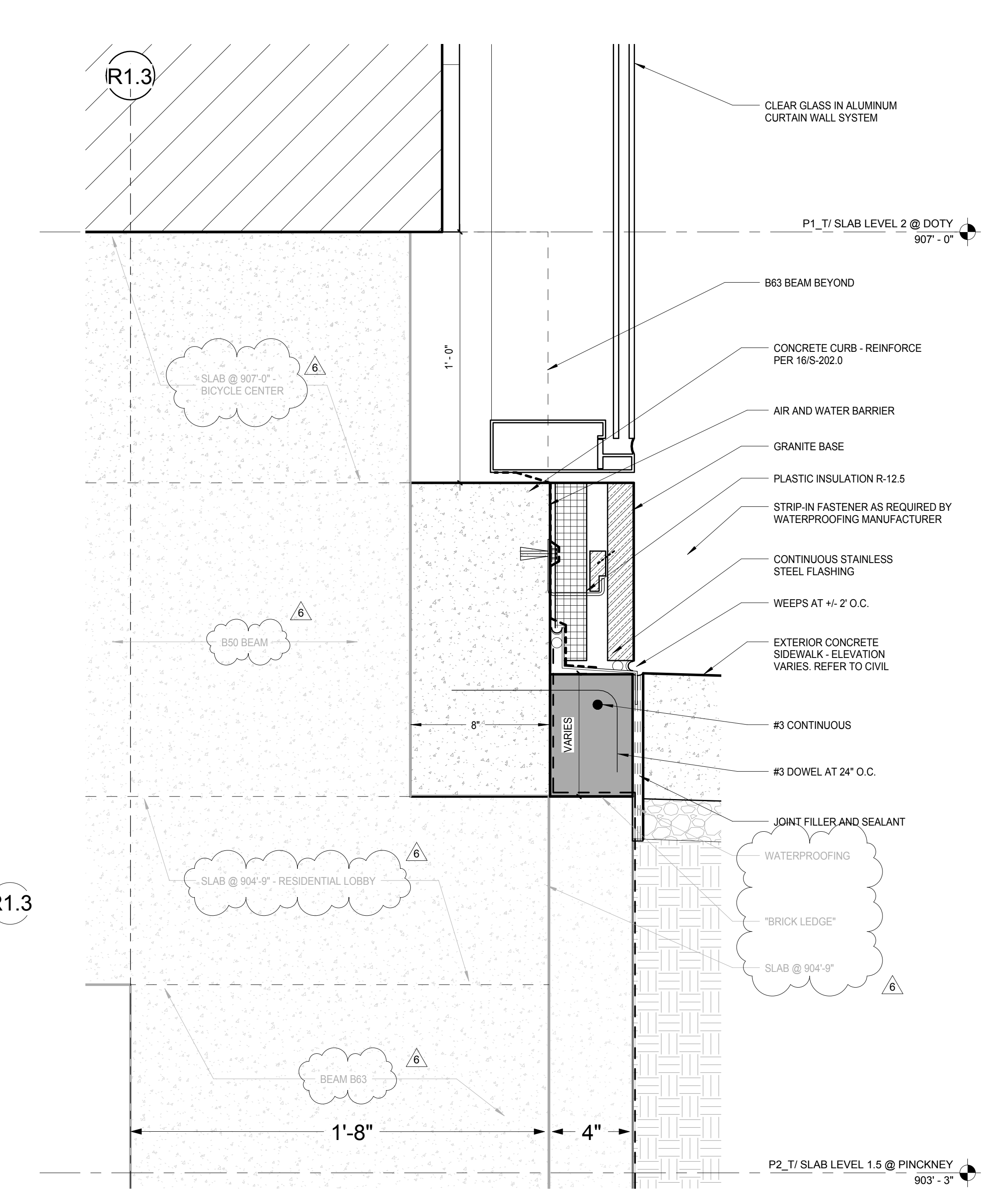
D3 GROUND LEVEL SECTION @ BICYCLE CENTER ENTRANCE
SCALE: 3" = 1'-0"



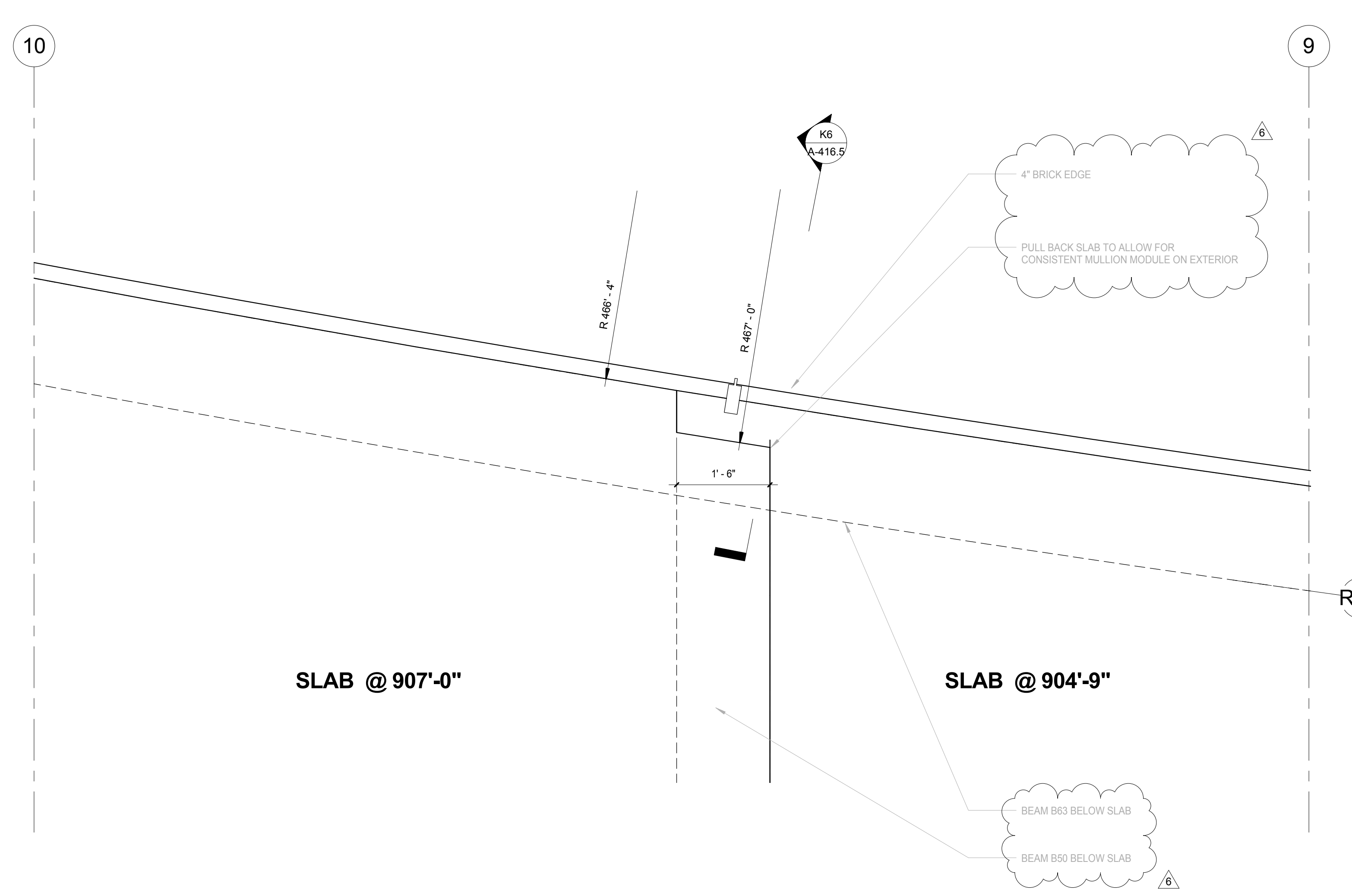
G3 GROUND LEVEL SECTION - SIDEWALK BELOW SLAB, TYP
SCALE: 3" = 1'-0"



K3 GROUND LEVEL SECTION - SIDEWALK ABOVE SLAB, TYP
SCALE: 3" = 1'-0"



K6 GROUND LEVEL DETAIL - SLAB TRANSITION @ BICYCLE CENTER
SCALE: 3" = 1'-0"



K9 LEVEL 2 - BIKE CENTER SLAB TRANSITION
SCALE: 3/4" = 1'-0"

NOTE:
THE "JUDGE DOYLE PODIUM" SET HAS A SIMILAR NUMBERING SYSTEM RELATIVE TO THE "JUDGE DOYLE SQUARE - NEW MUNICIPAL PARKING FACILITY" WHICH IS INCLUDED FOR REFERENCE ONLY

No.	Description	Date
6	JUDGE DOYLE PODIUM ADDENDUM 2	01/18/2019
7	ISSUED FOR PODIUM BID	12/07/2018
8	Checklist	DNV

JUDGE DOYLE PODIUM
CITY OF MADISON

ARCHITECT:
lothan van hook destefano
ARCHITECTURE LLC

ASSOCIATE ARCHITECT:
INSITE CONSULTING ARCHITECTS

PARKING CONSULTANT:
WALKER

STRUCTURAL ENGINEERS:
HALVORSON AND PARTNERS
A WEST PAKISTAN ENGINEERING COMPANY

MEPP ENGINEERS:
AEI Affiliated Engineers

CIVIL ENGINEERS:
Mead & Hunt

LANDSCAPE ARCHITECT:
WOLFF LANDSCAPE ARCHITECTURE
PLANNING LANDSCAPE ARCHITECTURE URBAN DESIGN

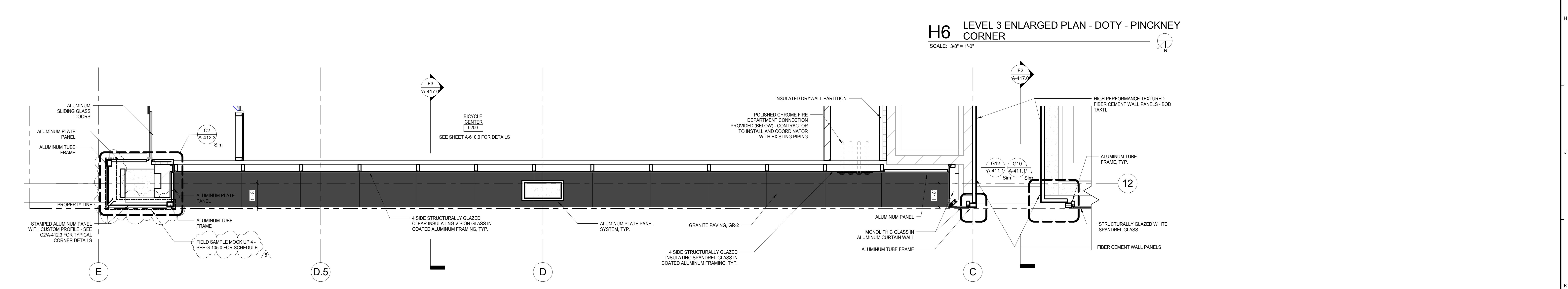
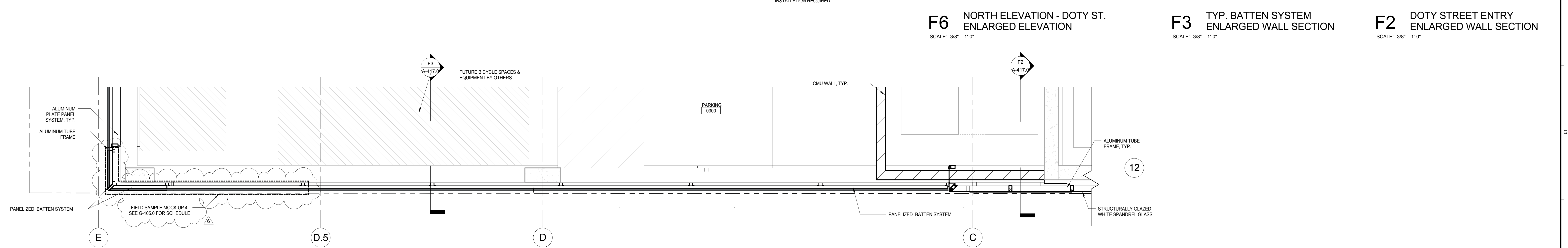
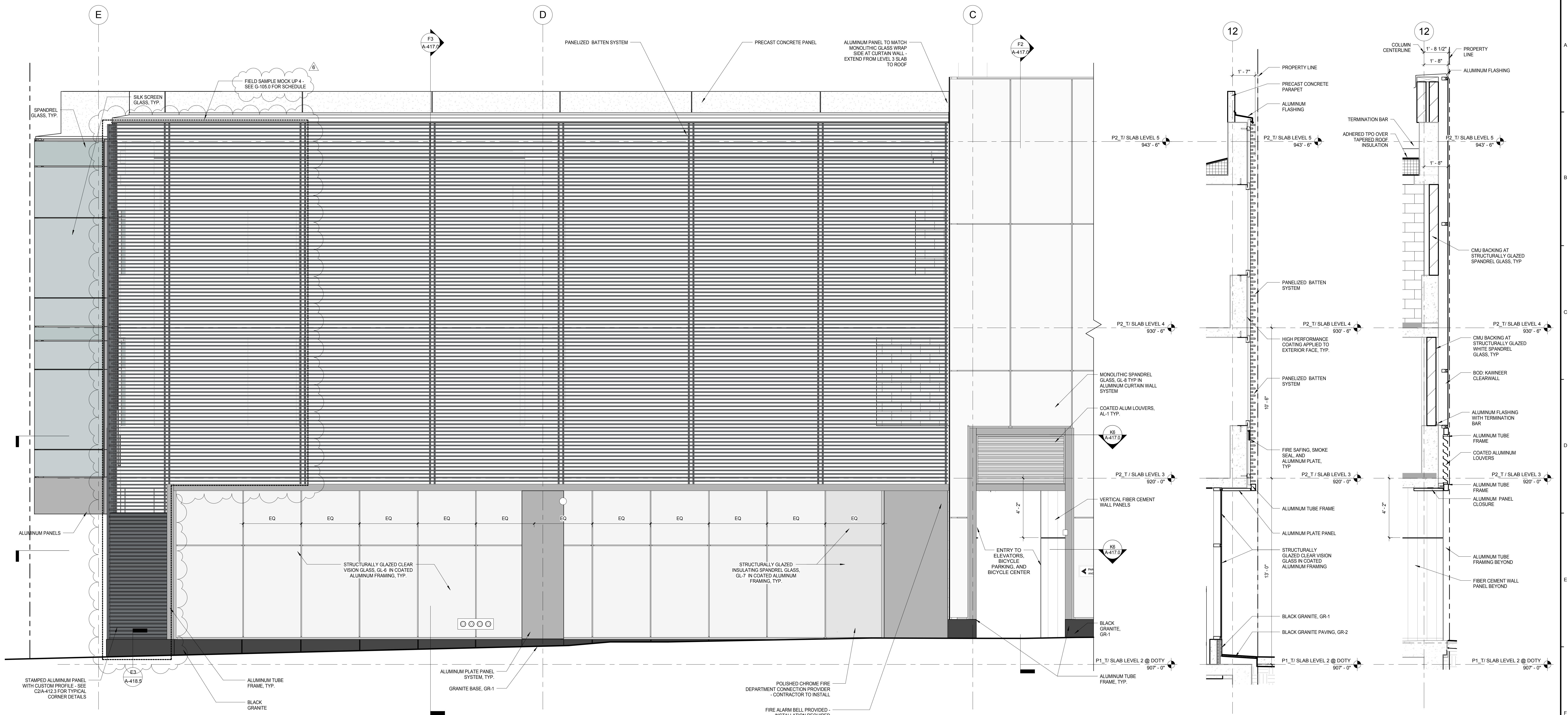
GROUND LEVEL DETAILS - PINCKNEY STREET

Drawn: _____ Date: _____
 Author: 1/18/2019 4:36:53 PM
 Checked By: _____ Drawing Number: _____
 Approver: _____
 Job Number: **A-4165**
 217-1088

General Notes
 NOTE 1: CONSTRUCTION SHOWN HALF-TONE IS EXISTING - FOR INFORMATION ONLY
 NOTE 2: CONSTRUCTION SHOWN BELOW LEVEL 1 AT WILSON AND LEVEL 2 AT DOTY IS EXISTING - NO WORK TO BE DONE, UNLESS NOTED OTHERWISE

LEGEND
 N.L.C. CONSTRUCTION ITEMS FOR REFERENCE ONLY - NOT IN CONTRACT - SUBJECT TO SEPARATE PERMIT

NOTE:
 THE "JUDGE DOYLE PODIUM" SET HAS A SIMILAR NUMBERING SYSTEM RELATIVE TO THE "JUDGE DOYLE SQUARE - NEW MUNICIPAL PARKING FACILITY" WHICH IS INCLUDED FOR REFERENCE ONLY



No.	Description	Date
6	JUDGE DOYLE PODIUM ADDENDUM 2	01/18/2019
4	ISSUED FOR PODIUM BID	12/07/2018
3	ISSUED FOR STATE PLAN REVIEW	11/16/2018
2	ISSUED FOR DESIGN DEVELOPMENT	09/14/2018
1	ISSUED FOR SCHEMATIC DESIGN	07/20/2018

JUDGE DOYLE PODIUM
 CITY OF MADISON

ARCHITECT:
lothan van hook destefano
 ARCHITECTURE LLC

ASSOCIATE ARCHITECT:
INSITE CONSULTING ARCHITECTS

PARKING CONSULTANT:
WALKER

STRUCTURAL ENGINEERS:
H. A. L. VORSON
 AND PARTNERS

MEP/P ENGINEERS:
AEI Affiliated Engineers

CIVIL ENGINEERS:
Mead & Hunt

LANDSCAPE ARCHITECT:
WOLFF LANDSCAPE ARCHITECTURE
 PLANNING
 LANDSCAPE ARCHITECTURE
 URBAN DESIGN

Drawing Title
EXTERIOR WALL DETAILS - GROUND LEVEL - ELEVATION, PLAN & SECTION

Drawn: [] Date: []
 Author: 1/18/2019 4:37:13 PM
 Checked By: [] Drawing Number: []
 Checker: []
 Approved: []
 Approver: []
 Job Number: []
 217-1088

A-417.0

C:\Users\administrator\Documents\Judge Doyle Square - Madison Podium_insd\int
 1/18/2019 4:37:13 PM

General Notes

NOTE 1: CONSTRUCTION SHOWN HALF-TONE IS EXISTING - FOR INFORMATION ONLY

NOTE 2: CONSTRUCTION SHOWN BELOW LEVEL 1 AT WILSON AND LEVEL 2 AT DOTY IS EXISTING - NO WORK TO BE DONE, UNLESS NOTED OTHERWISE

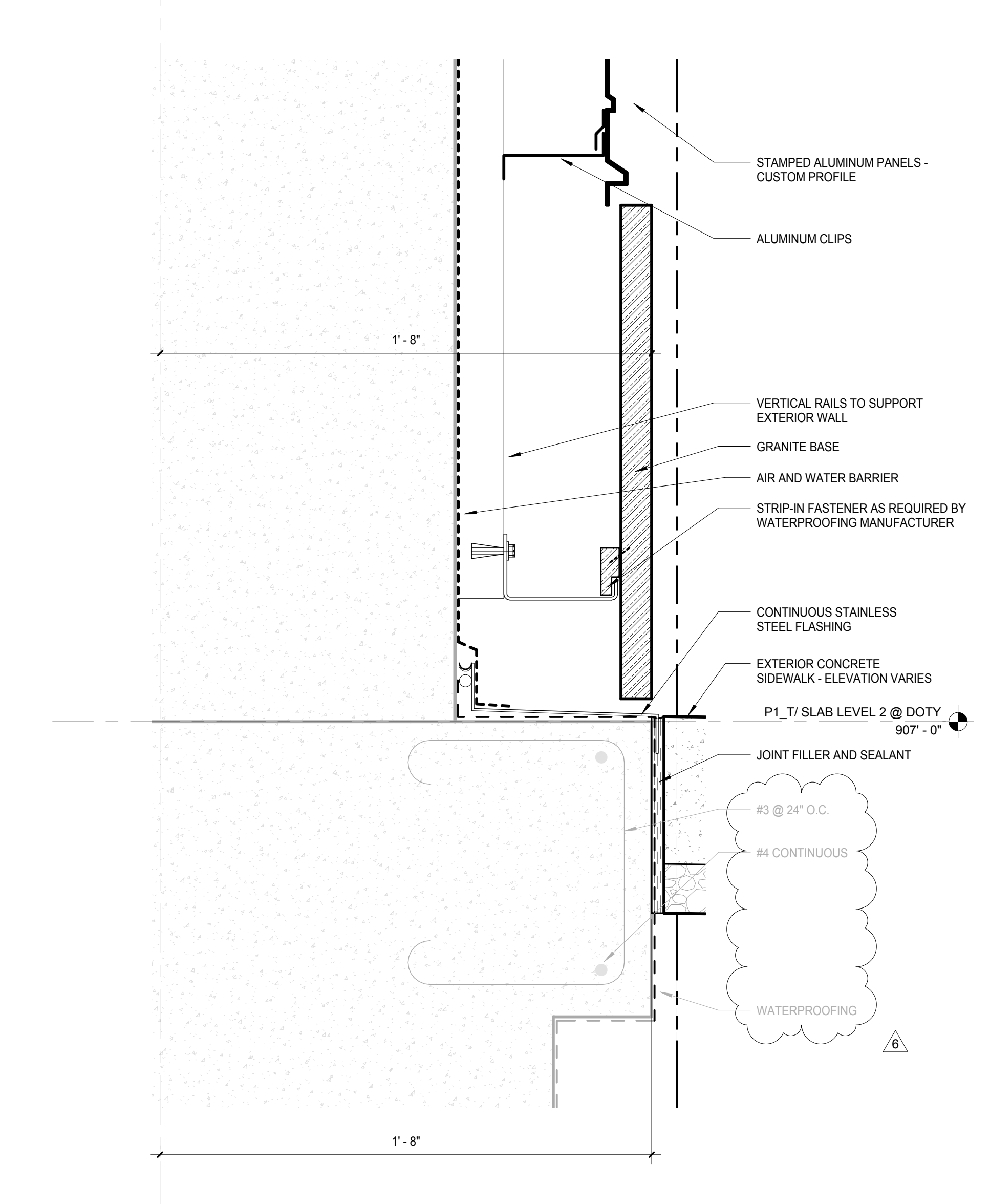
LEGEND

N.I.C. CONSTRUCTION ITEMS FOR REFERENCE ONLY - NOT IN CONTRACT - SUBJECT TO SEPARATE PERMIT

NOTE 3: REFER TO SHEET A-451.0 THROUGH A-451.3 FOR WATERPROOFING DETAILS

NOTE 4: REFER TO CIVIL DRAWINGS FOR SIDEWALK ELEVATIONS

12



E3 DOTY SLAB DETAIL - AT PINCKNEY CORNER
SCALE: 3" = 1'-0"

NOTE:
THE "JUDGE DOYLE PODIUM" SET HAS A SIMILAR NUMBERING SYSTEM RELATIVE TO THE "JUDGE DOYLE SQUARE - NEW MUNICIPAL PARKING FACILITY" WHICH IS INCLUDED FOR REFERENCE ONLY

6	JUDGE DOYLE PODIUM ADDENDUM 2	01/18/2019
4	ISSUED FOR PODIUM BID	12/07/2018
No.	Description	Date

JUDGE DOYLE PODIUM
CITY OF MADISON

ARCHITECT:
lothan van hook destefano
ARCHITECTURE LLC

ASSOCIATE ARCHITECT:
INSITE CONSULTING ARCHITECTS
ARCHITECTURE LLC

PARKING CONSULTANT:
WALKER
ARCHITECTS

STRUCTURAL ENGINEERS:
HALVORSON
AND PARTNERS
A WEST PAPERSON BRUCKER SMITH COMPANY

ME/FP ENGINEERS:
AEI Affiliated
Engineers

CIVIL ENGINEERS:
Mead & Hunt

LANDSCAPE ARCHITECT:
WOLFF LANDSCAPE ARCHITECTURE
PLANNING
LANDSCAPE ARCHITECTURE
URBAN DESIGN

GROUND LEVEL DETAILS - DOTY STREET

Drawn: _____ Date: _____
Author: 1/18/2019 4:37:33 PM
Checked By: _____ Drawing Number: _____
Approved: _____
Approver: _____
Job Number: **A-418.5**
217-1088

General Notes

NOTE 1: CONSTRUCTION SHOWN HALF-TONE IS EXISTING - FOR INFORMATION ONLY.

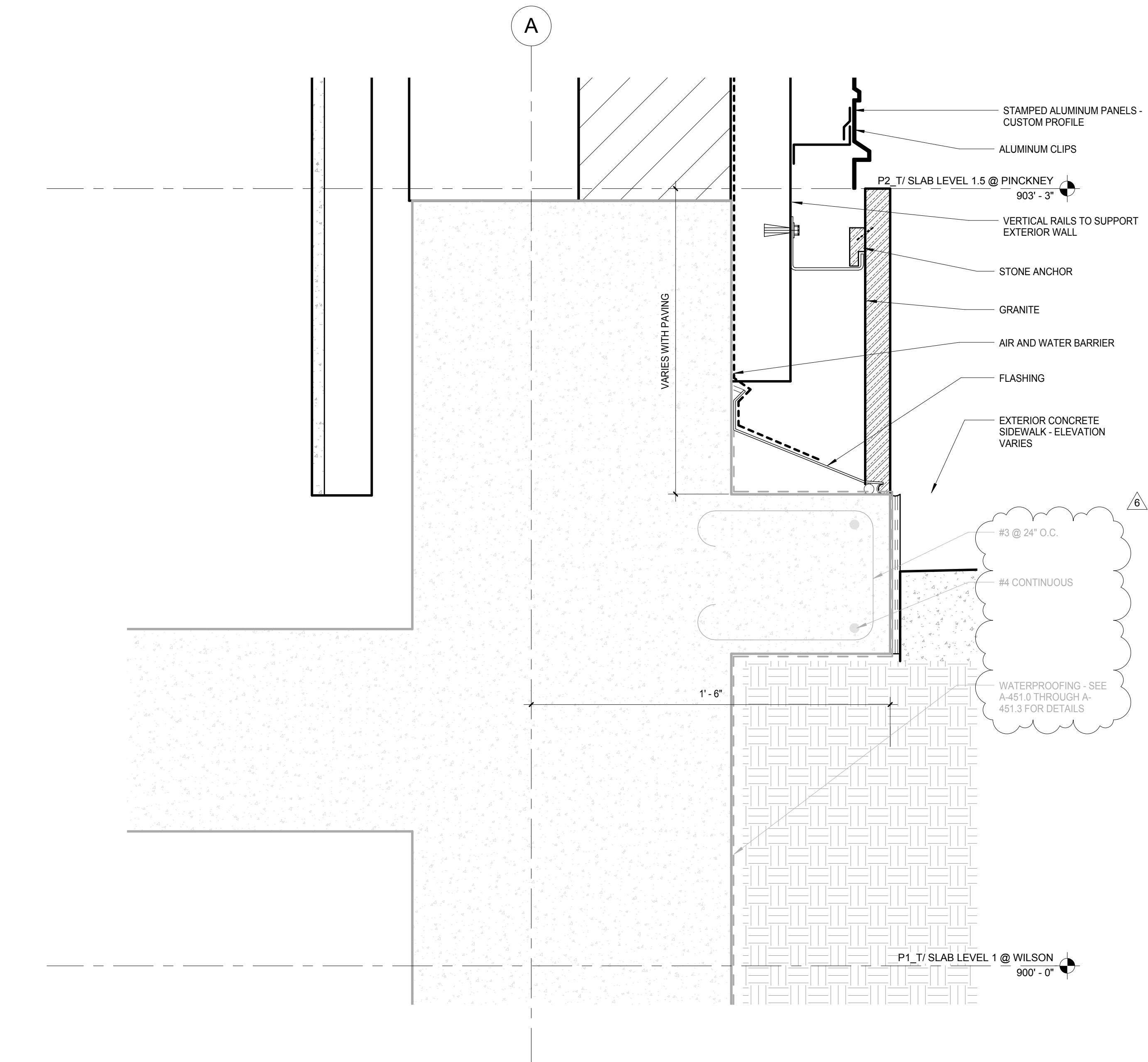
NOTE 2: CONSTRUCTION SHOWN BELOW LEVEL 1 AT WILSON AND LEVEL 2 AT DOTY IS EXISTING - NO WORK TO BE DONE, UNLESS NOTED OTHERWISE.

LEGEND

N.I.C. CONSTRUCTION ITEMS FOR REFERENCE ONLY - NOT IN CONTRACT - SUBJECT TO SEPARATE PERMIT

NOTE 3: REFER TO SHEET A-451.0 THROUGH A-451.3 FOR WATERPROOFING DETAILS

NOTE 4: REFER TO CIVIL DRAWINGS FOR SIDEWALK ELEVATIONS



E3 SLAB DETAIL - MMB/DOTY GRANITE CORNER
SCALE: 3" = 1'-0"

NOTE:
THE "JUDGE DOYLE PODIUM" SET HAS A SIMILAR NUMBERING SYSTEM RELATIVE TO THE "JUDGE DOYLE SQUARE - NEW MUNICIPAL PARKING FACILITY" WHICH IS INCLUDED FOR REFERENCE ONLY

6	JUDGE DOYLE PODIUM ADDENDUM 2	01/18/2019
4	ISSUED FOR PODIUM BID	12/07/2018
No.	Check/Issue	Date

JUDGE DOYLE PODIUM
CITY OF MADISON

ARCHITECT:
lothan van hook destefano
ARCHITECTURE LLC

ASSOCIATE ARCHITECT:
INSITE CONSULTING ARCHITECTS

PARKING CONSULTANT:
WALKER

STRUCTURAL ENGINEERS:
HALVORSON AND PARTNERS

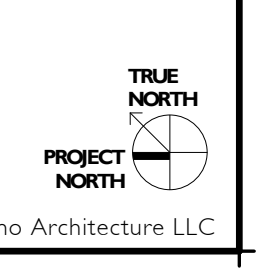
ME/PFP ENGINEERS:
AEI Affiliated Engineers

CIVIL ENGINEERS:
Mead & Hunt

LANDSCAPE ARCHITECT:
WOLFF LANDSCAPE ARCHITECTURE

GROUND LEVEL DETAILS - WEST ELEVATION

Drawn: _____ Date: _____
Author: 1/18/2019 4:37:56 PM
Checked By: _____ Drawing Number: _____
Approved: _____
Approver: _____
Job Number: **A-419.5**
217-1088



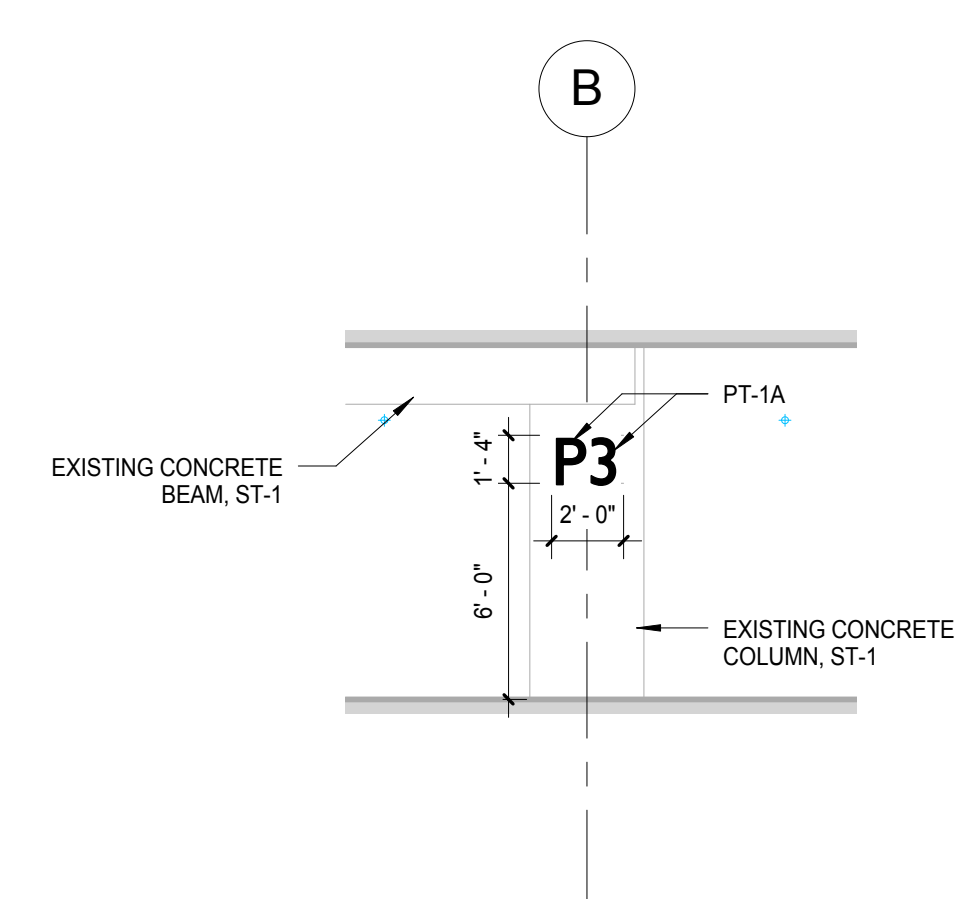
General Notes

NOTE 1: ALL CONCRETE WALLS, COLUMNS, CEILINGS, AND SCHEPERS TO BE 3" TYP. UNLESS OTHERWISE NOTED.

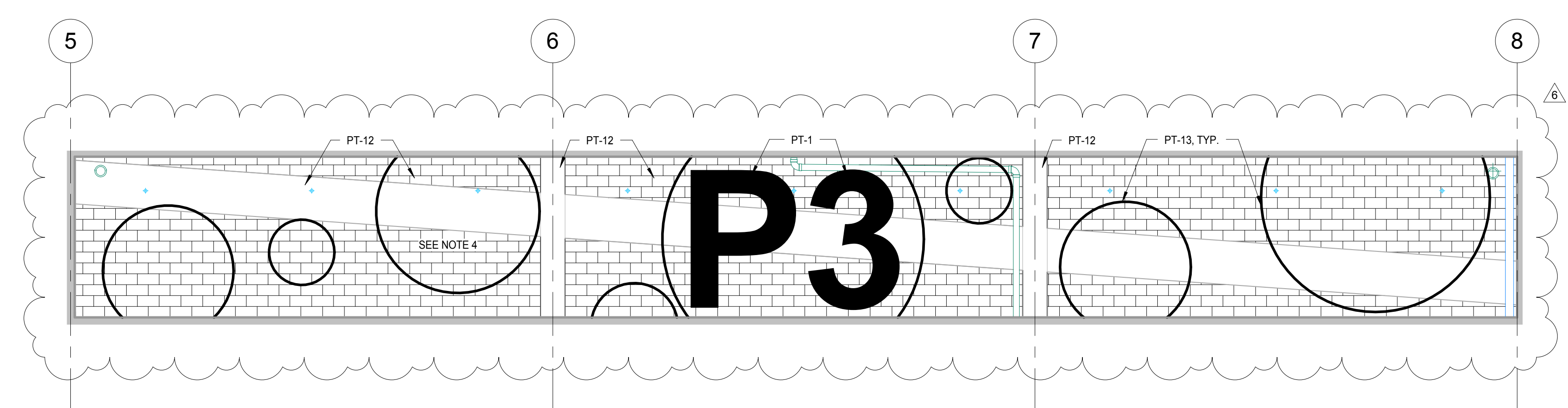
NOTE 2: PT-12, PT-14 (PAINT, SATIN FINISH) USED FOR ACCENT WALLS, COLUMNS, AND HOLLOW METAL DOORS AS PARKING LEVEL IDENTIFICATION - COLOR TO BE DETERMINED BY OWNER.

NOTE 3: PT-13, PT-15 (PAINT, GLOSSY FINISH) USED FOR FEATURE WALL GRAPHIC DECAL - COLOR AND GRAPHIC TO BE DETERMINED BY OWNER.

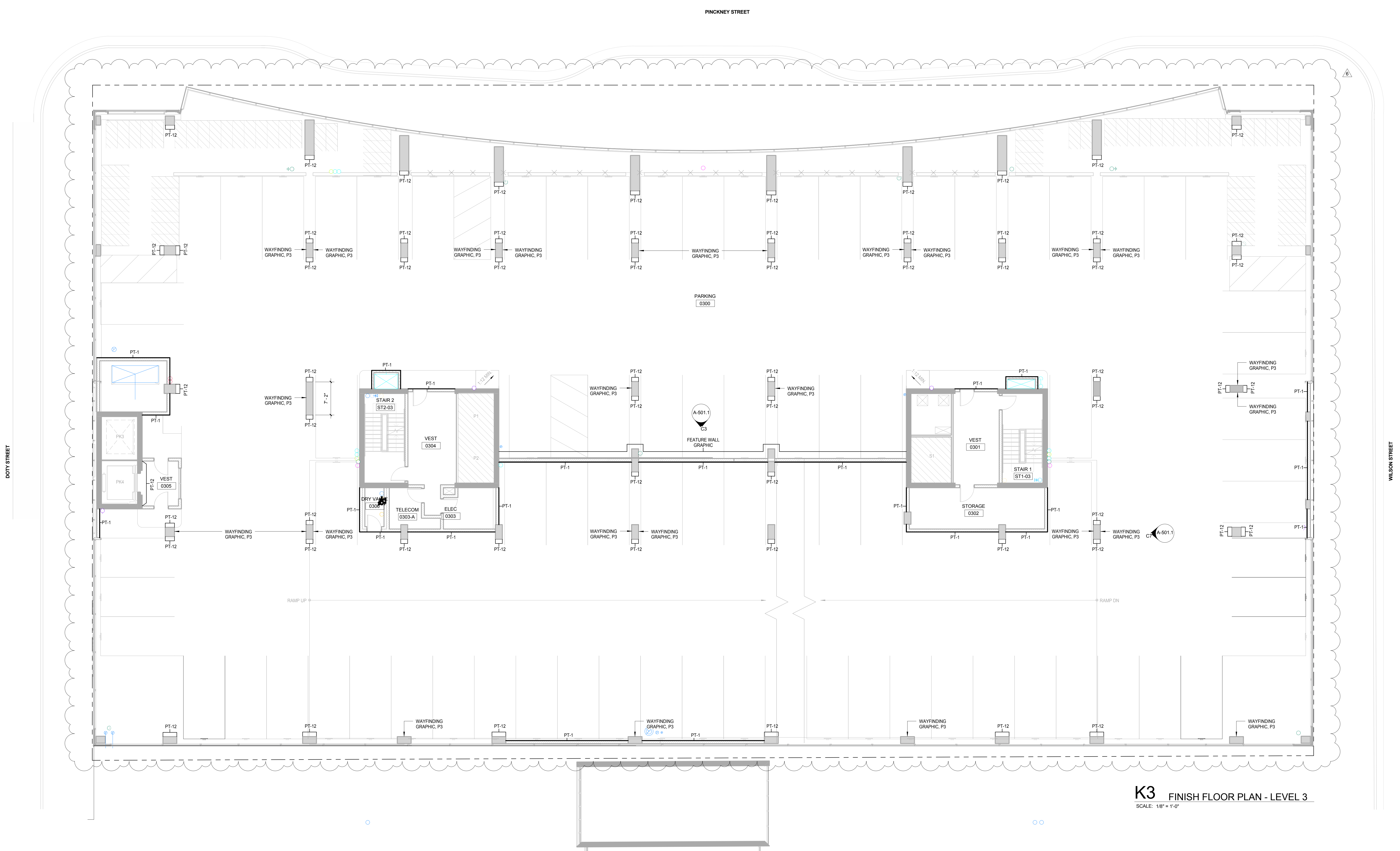
NOTE 4: THE FEATURE WALL GRAPHICS SHOWN ARE FOR ILLUSTRATIVE PURPOSES ONLY AND REPRESENT THE DESIGN CONCEPT USED AT THE UNDERGROUND PARKING LEVELS. ACTUAL GRAPHICS TO BE DETERMINED AND APPROVED BY OWNER.



C7 TYP. P3 WAYFINDING GRAPHIC ELEVATION
SCALE: 3/16" = 1'-0"



C3 FEATURE WALL ELEVATION - LEVEL 3
SCALE: 3/16" = 1'-0"



K3 FINISH FLOOR PLAN - LEVEL 3
SCALE: 1/8" = 1'-0"

NOTE:
THE "JUDGE DOYLE PODIUM" SET HAS A SIMILAR NUMBERING SYSTEM RELATIVE TO THE "JUDGE DOYLE SQUARE - NEW MUNICIPAL PARKING FACILITY" WHICH IS INCLUDED FOR REFERENCE ONLY.

No.	Description	Date
6	JUDGE DOYLE PODIUM ADDENDUM 2	01/18/2019
4	ISSUED FOR PODIUM BID	12/07/2018
2	Checklist	12/07/2018

JUDGE DOYLE PODIUM
CITY OF MADISON

ARCHITECT:
lothan van hook destefano
ARCHITECTURE LLC

ASSOCIATE ARCHITECT:
INSITE CONSULTING ARCHITECTS

PARKING CONSULTANT:
WALKER

STRUCTURAL ENGINEERS:
H. ALVORSON AND PARTNERS

ME/FP ENGINEERS:
AEI Affiliated Engineers

CIVIL ENGINEERS:
Mead & Hunt

LANDSCAPE ARCHITECT:
WOLFF LANDSCAPE ARCHITECTURE

FINISH FLOOR PLAN - LEVEL 3

Drawn	Date
Author	1/18/2019 4:38:45 PM
Checked By	Drawing Number
Approved	
Approver	A-501.1
Job Number	217-1088

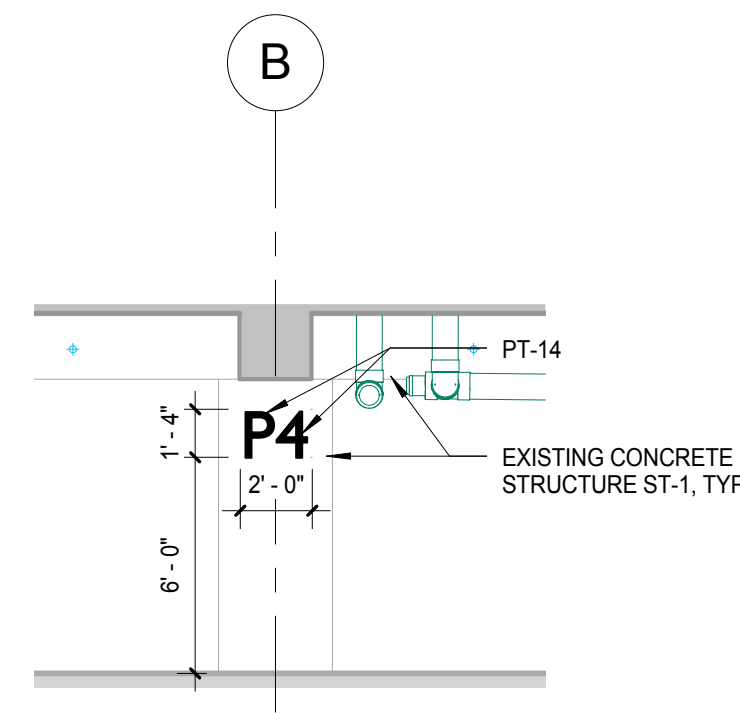
General Notes

NOTE 1: ALL CONCRETE WALLS, COLUMNS, CEILINGS, AND SOFFITS TO BE ST-1 UNLESS OTHERWISE NOTED.

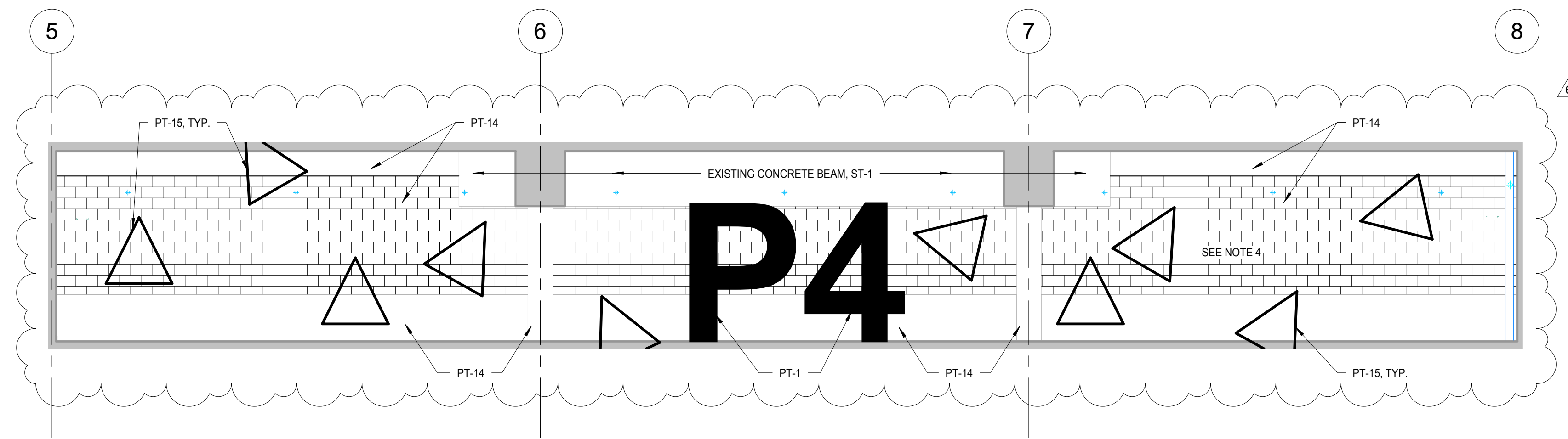
NOTE 2: PT-12, PT-14 (PAINT, SATIN FINISH) USED FOR ACCENT WALLS, COLUMNS, AND HOLLOW METAL DOORS AS PARKING LEVEL IDENTIFICATION - COLOR TO BE DETERMINED BY OWNER.

NOTE 3: PT-13, PT-15 (PAINT, GLOSSY FINISH) USED FOR FEATURE WALL GRAPHIC DECAL - COLOR AND GRAPHIC TO BE DETERMINED BY OWNER.

NOTE 4: THE FEATURE WALL GRAPHICS SHOWN ARE FOR ILLUSTRATIVE PURPOSES ONLY AND REPRESENT THE DESIGN CONCEPT USED AT THE UNDERGROUND PARKING LEVELS. ACTUAL GRAPHICS TO BE DETERMINED AND APPROVED BY OWNER.

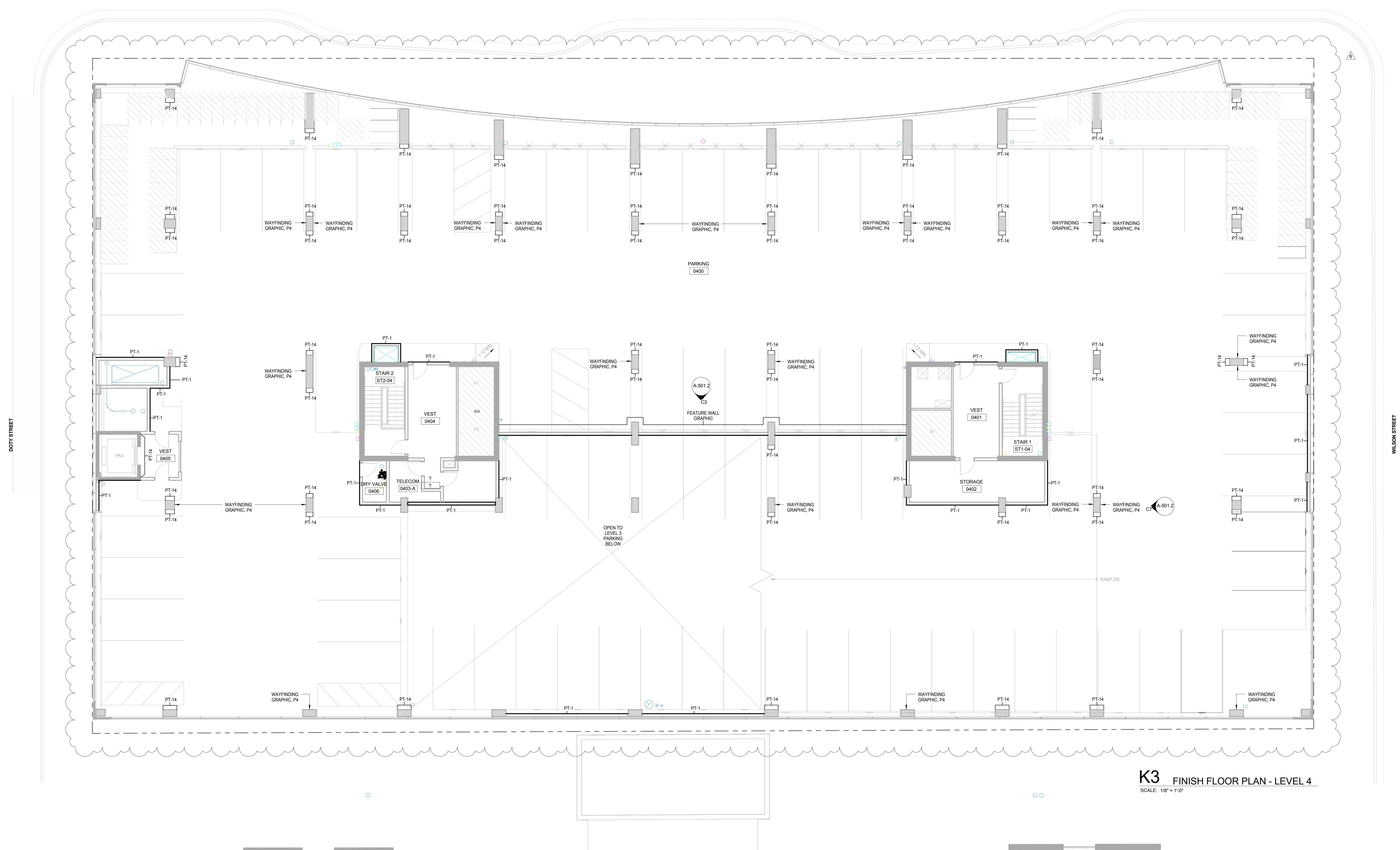


C7 TYP. P3 WAYFINDING GRAPHIC ELEVATION
SCALE: 3/16" = 1'-0"



C3 FEATURE WALL ELEVATION - LEVEL 4
SCALE: 3/16" = 1'-0"

PINKNEY STREET



K3 FINISH FLOOR PLAN - LEVEL 4
SCALE: 1/8" = 1'-0"

NOTE:
THE "JUDGE DOYLE PODIUM" SET HAS A SIMILAR NUMBERING SYSTEM RELATIVE TO THE "JUDGE DOYLE SQUARE - NEW MUNICIPAL PARKING FACILITY" WHICH IS INCLUDED FOR REFERENCE ONLY

6	JUDGE DOYLE PODIUM ADDENDUM 2	01/18/2019
7	ISSUED FOR PODIUM BID	12/07/2018
8	CHECKED	DATE

- JUDGE DOYLE PODIUM**
CITY OF MADISON
- ARCHITECT:
lothan van hook destefano
ARCHITECTURE LLC
- ASSOCIATE ARCHITECT:
INSITE CONSULTING ARCHITECTS
- PARKING CONSULTANT:
WALKER
- STRUCTURAL ENGINEERS:
H. ALVORSON AND PARTNERS
A WEST PARDON BROCKERSHOFF COMPANY
- ME/FP ENGINEERS:
AEI Affiliated Engineers
- CIVIL ENGINEERS:
Mead & Hunt
- LANDSCAPE ARCHITECT:
WOLFF LANDSCAPE ARCHITECTURE
PLANNING LANDSCAPE ARCHITECTURE URBAN DESIGN

FINISH FLOOR PLAN - LEVEL 4

Drawn	Date
Author	1/18/2019 4:30:04 PM
Checked By	Drawing Number
Checker	
Approved	
Approver	A-501.2
Job Number	217-1088

General Notes

NOTE 1: CONSTRUCTION SHOWN HALF-TONE IS EXISTING - FOR INFORMATION ONLY.

NOTE 2: SCOPE OF WORK IS LIMITED TO SPRAYED ON INSULATION AS DOTTED BOLD IN DRAWINGS.

LEGEND

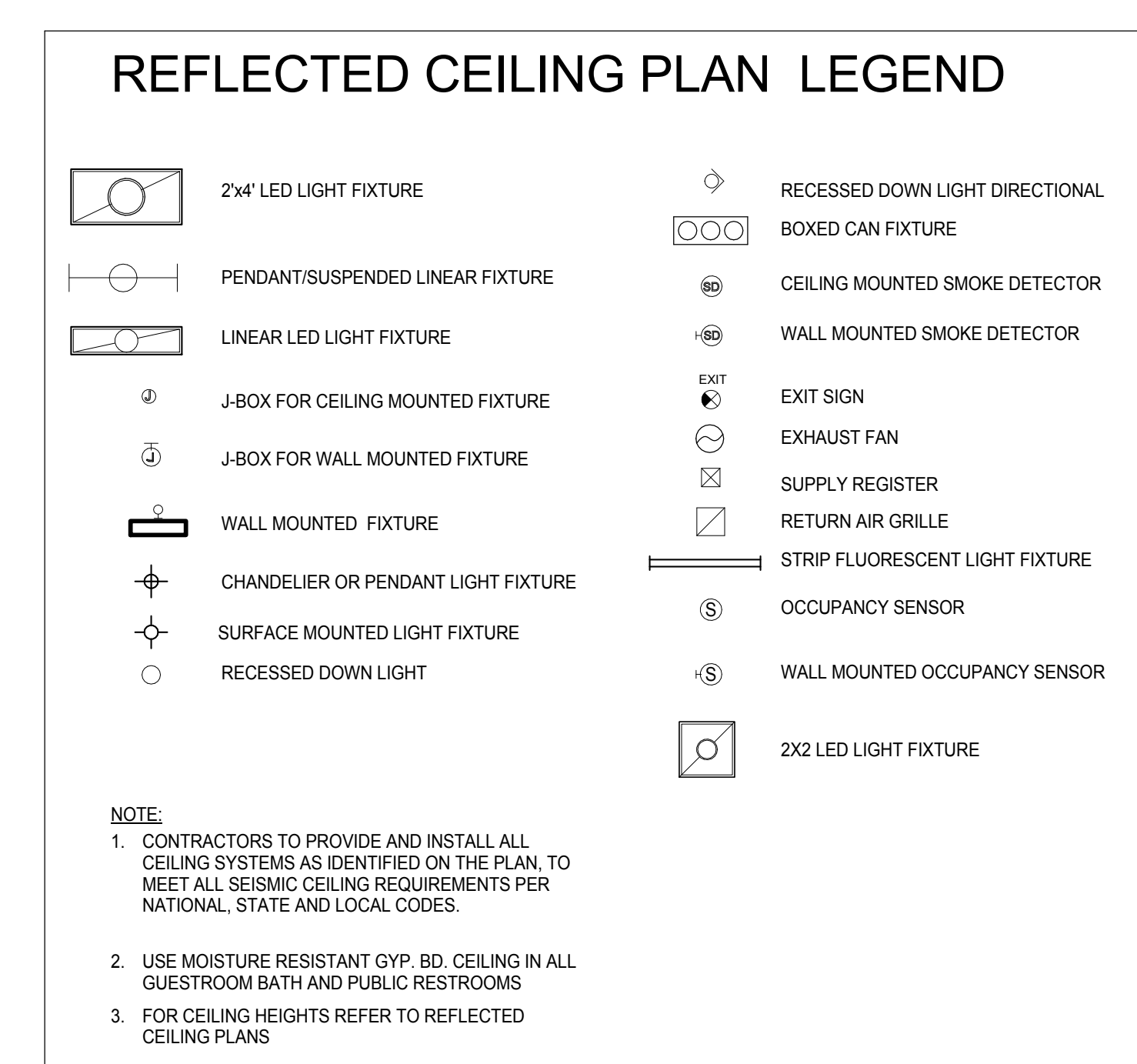
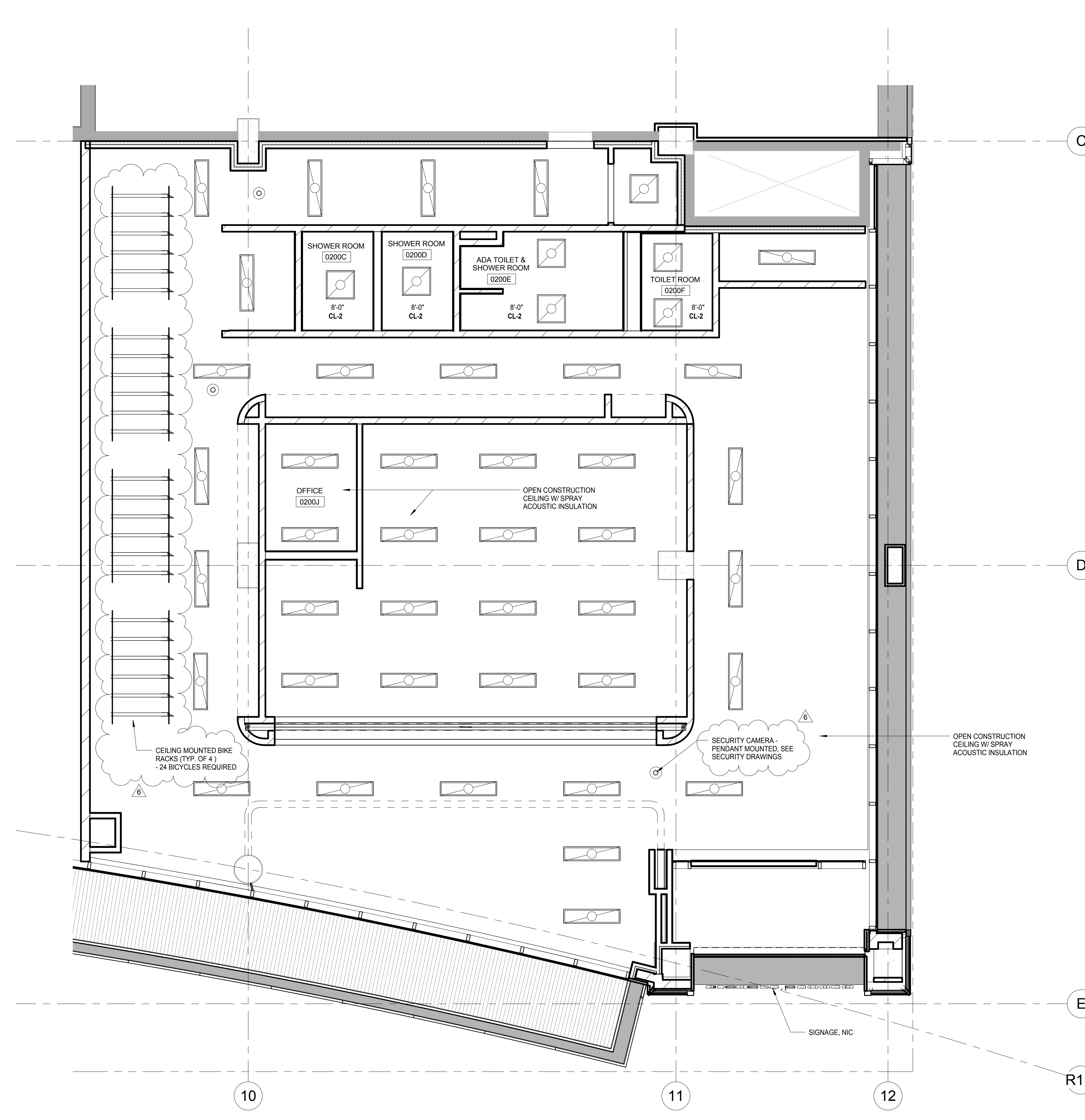
N.I.C. CONSTRUCTION ITEMS FOR REFERENCE ONLY - NOT IN CONTRACT - SUBJECT TO SEPARATE PERMIT

NOTE 3: FOR DOOR SCHEDULE, SEE SHEET A-502.0 & A-502.1

NOTE 4: FOR PARTITION SCHEDULE, SEE SHEET A-500.0

NOTE 5: FOR FINISHES SCHEDULE, SEE SHEET A-501.0

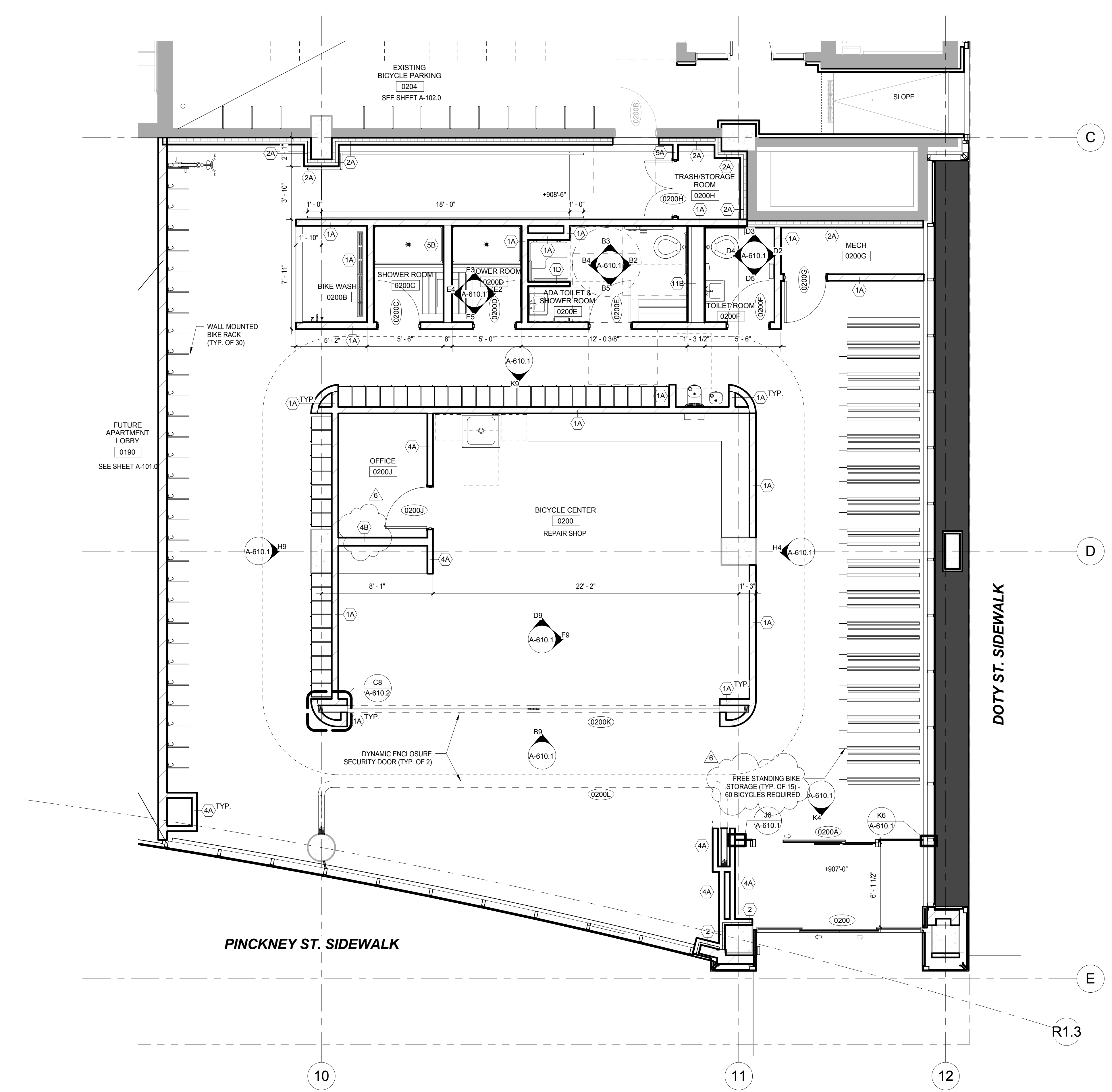
NOTE 6: SEE G-102.0 AND G-103.0 FOR HOURLY RATINGS OF PARTITIONS



EXTENT OF WORK SHOWN TO BE INCLUDED IN ALTERNATE 1 (BICYCLE CENTER BUILD OUT) EXCEPT THE FOLLOWING:

- EXTERIOR SOFFITS
- EXTERIOR SIGNAGE
- SPRAY ACOUSTIC INSULATION

SEE SPEC SECTION 01 23 00 FOR ADDITIONAL INFORMATION



EXTENT OF WORK SHOWN TO BE INCLUDED IN ALTERNATE 1 (BICYCLE CENTER BUILD OUT) EXCEPT THE FOLLOWING:

- AUTOMATIC SLIDING GLASS DOORS (0200)
- EXIT DOOR (0200B)
- EXTERIOR CURTAIN WALL SYSTEM
- EXTERIOR ALUMINUM PANEL SYSTEM
- CORNER BATTEN SYSTEM
- DEMISING WALL BETWEEN BICYCLE CENTER AND FUTURE APARTMENT LOBBY
- EXIT RAMP, LANDING & HANDRAILS ALONG THE BACK WALL (PROJECT WEST)

SEE SPEC SECTION 01 23 00 FOR ADDITIONAL INFORMATION

NOTE: THE "JUDGE DOYLE PODIUM" SET HAS A SIMILAR NUMBERING SYSTEM RELATIVE TO THE "JUDGE DOYLE SQUARE - NEW MUNICIPAL PARKING FACILITY" WHICH IS INCLUDED FOR REFERENCE ONLY

JUDGE DOYLE PODIUM
CITY OF MADISON

ARCHITECT:
lothan van hook destefano ARCHITECTURE LLC

ASSOCIATE ARCHITECT:
INSITE CONSULTING ARCHITECTS

PARKING CONSULTANT:
WALKER CONSULTANTS

STRUCTURAL ENGINEERS:
H.A. LARSON AND PARTNERS

ME/P/E ENGINEERS:
AEI Affiliated Engineers

CIVIL ENGINEERS:
Mead & Hunt

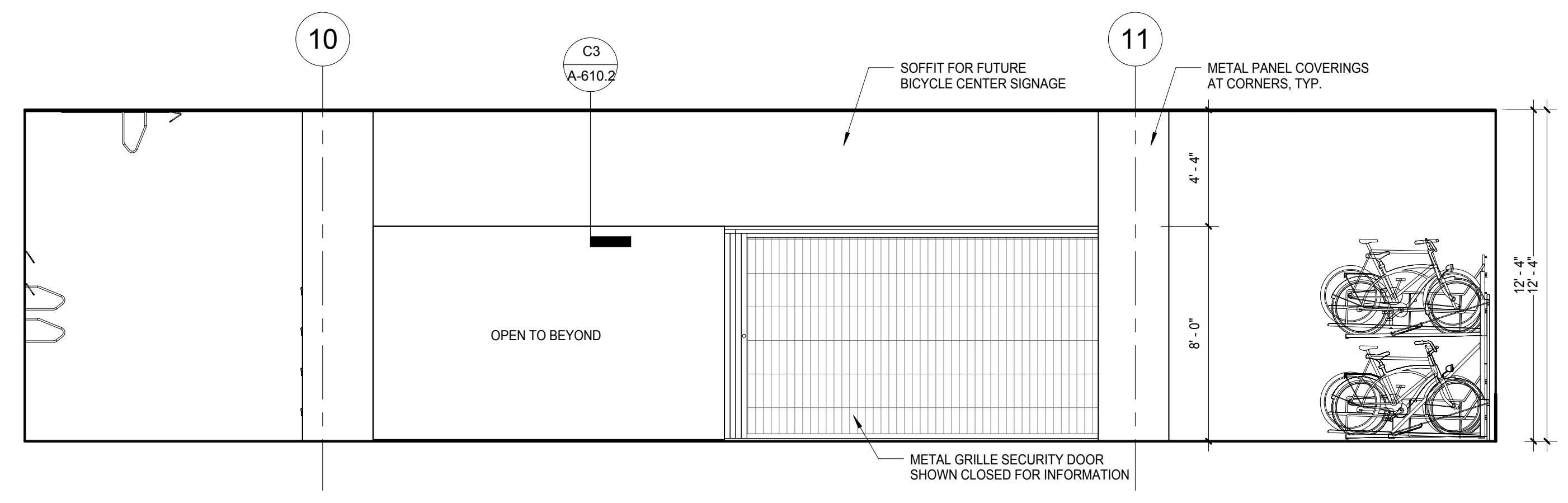
LANDSCAPE ARCHITECT:
WOLFF LANDSCAPE ARCHITECTURE PLANNING LANDSCAPE ARCHITECTURE URBAN DESIGN

BICYCLE CENTER - ENLARGED FLOOR PLAN, REFLECTED CEILING PLAN AND ELEVATIONS

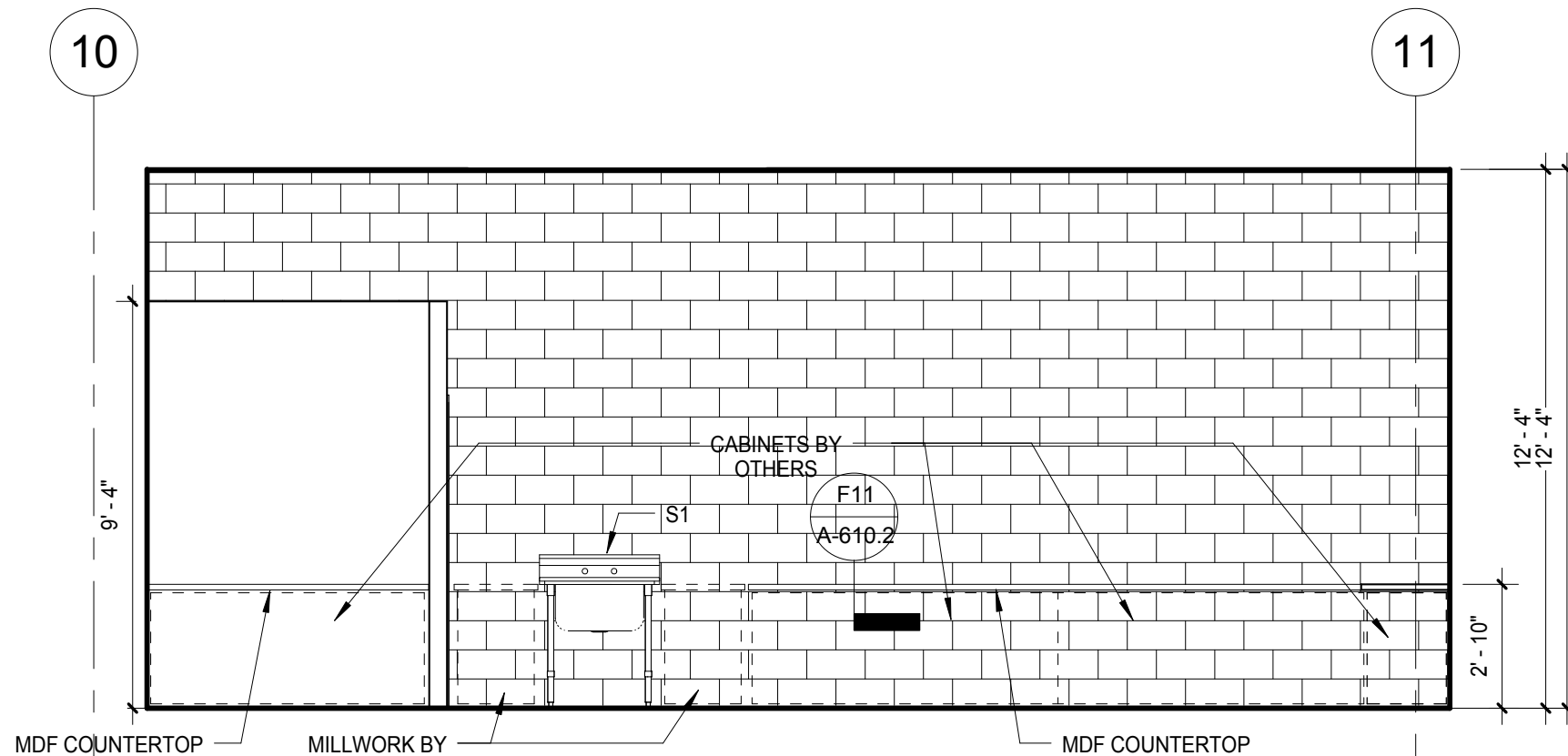
Author: 1/18/2019 4:39:24 PM
Checked By: [Redacted]
Approved: [Redacted]
Job Number: 217-1088

A-610.0

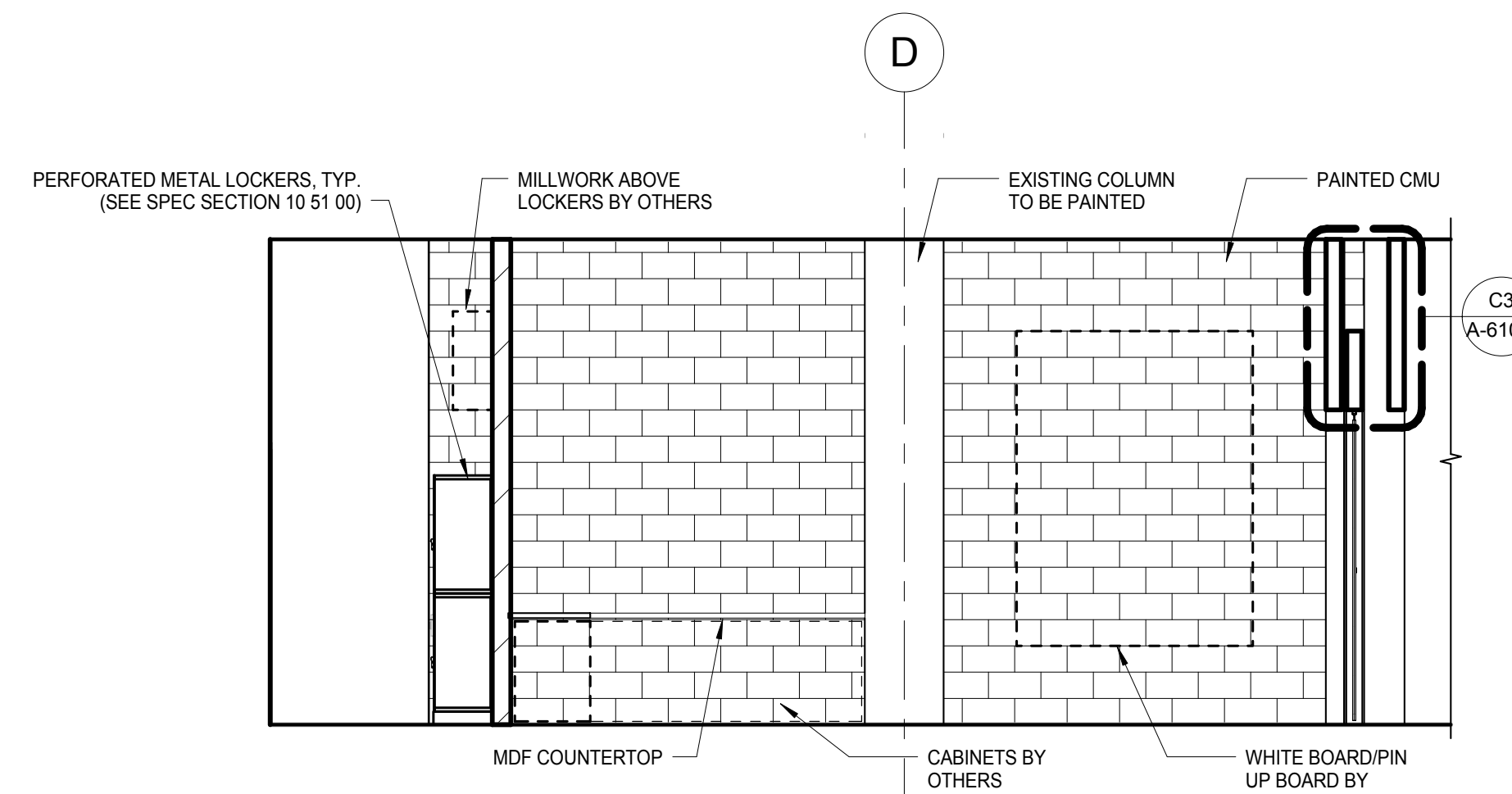
C:\Users\administrator\Documents\Judge Doyle Square - Madison Podium_1.mxd 1/18/2019 4:39:24 PM



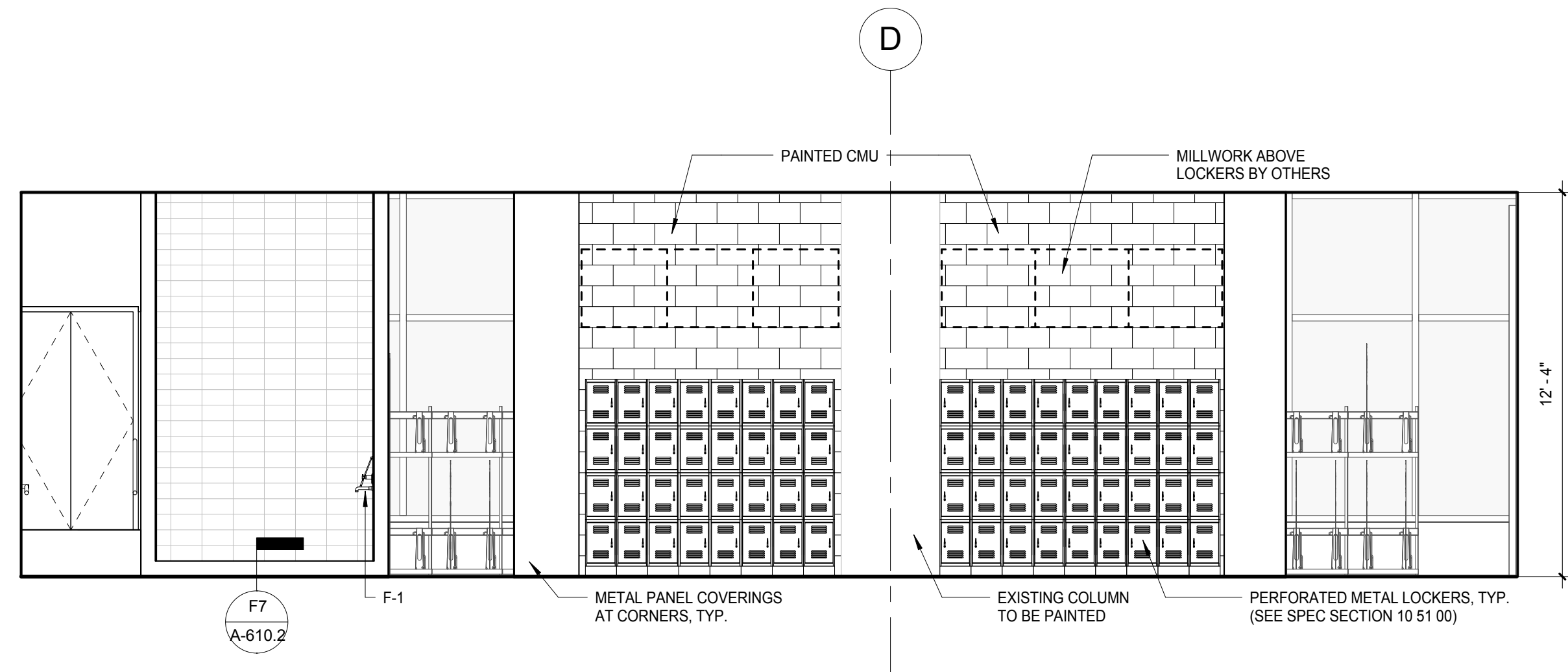
B9 INTERIOR ELEVATION - BIKE SHOP
SCALE: 1/4" = 1'-0"



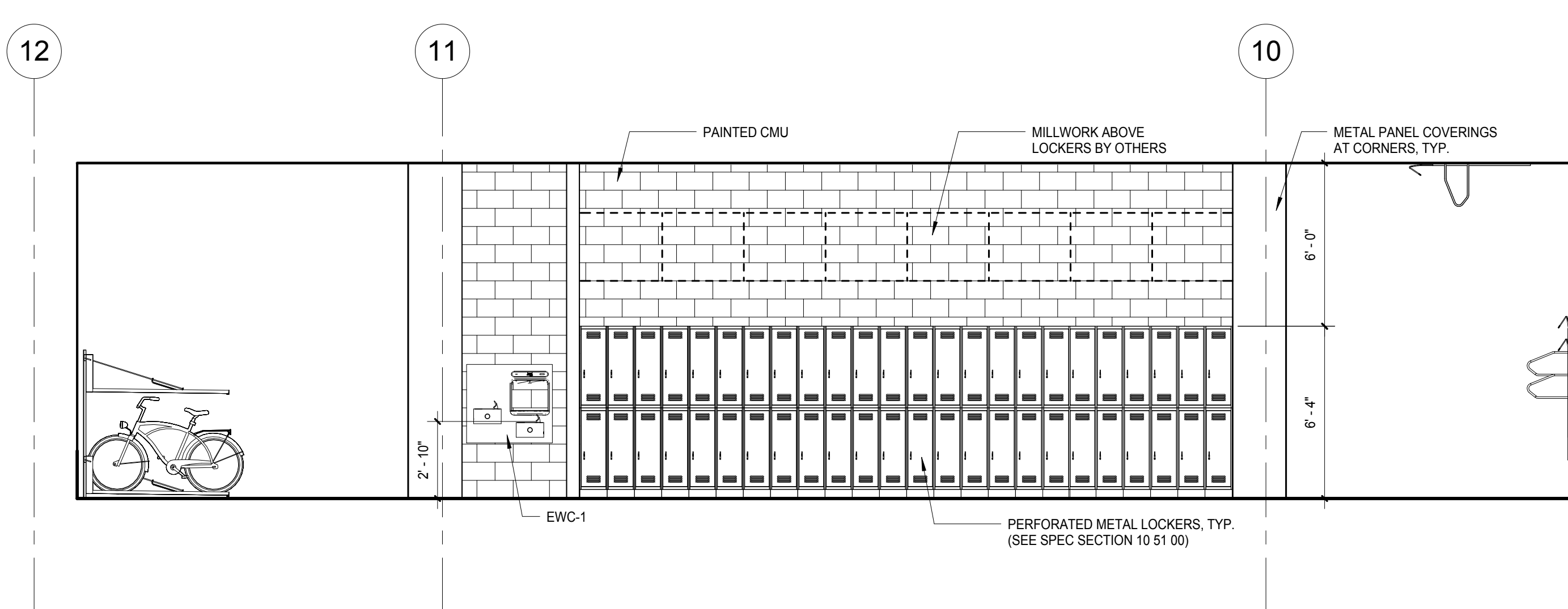
D9 REPAIR SHOP WEST ELEVATION
SCALE: 1/4" = 1'-0"



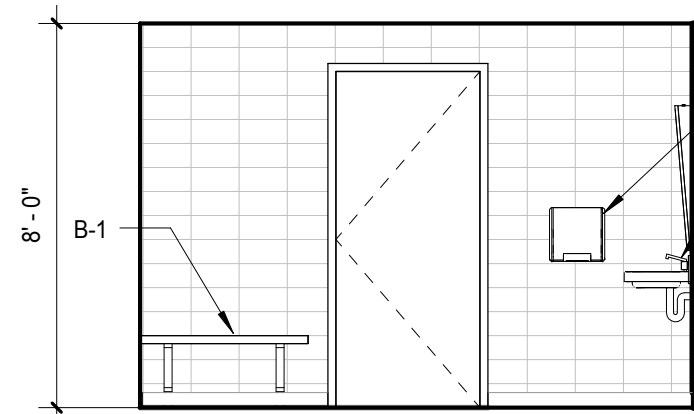
F9 REPAIR SHOP NORTH ELEVATION
SCALE: 1/4" = 1'-0"



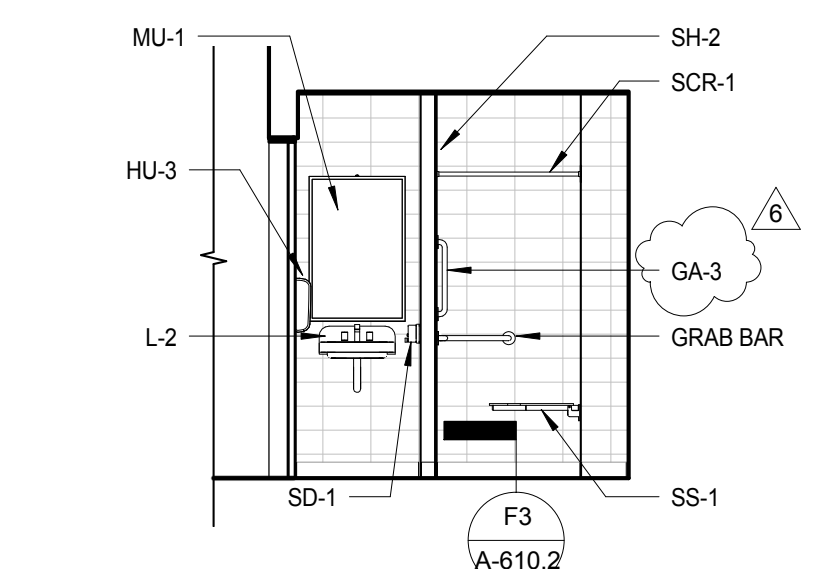
H9 BICYCLE CENTER - NORTH ELEVATION
SCALE: 1/4" = 1'-0"



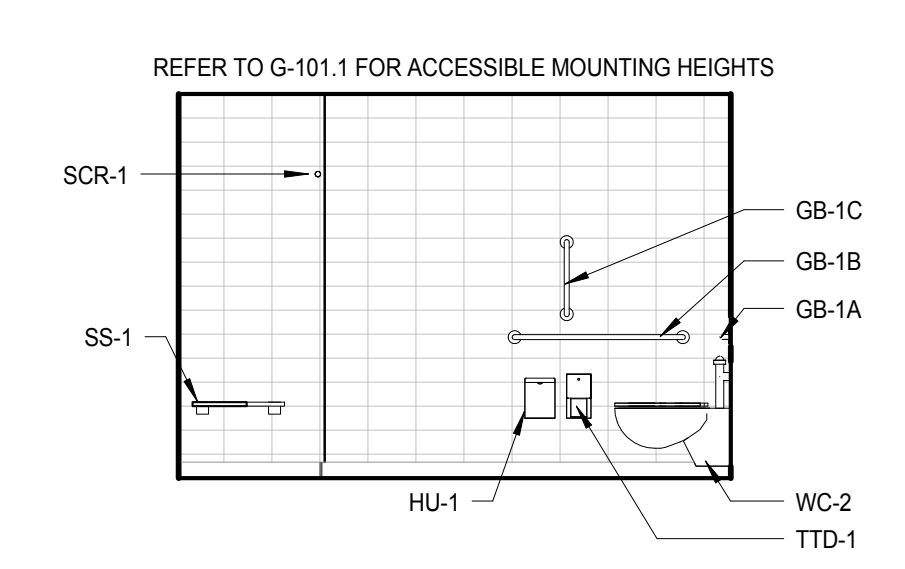
K9 BICYCLE CENTER - EAST ELEVATION
SCALE: 1/4" = 1'-0"



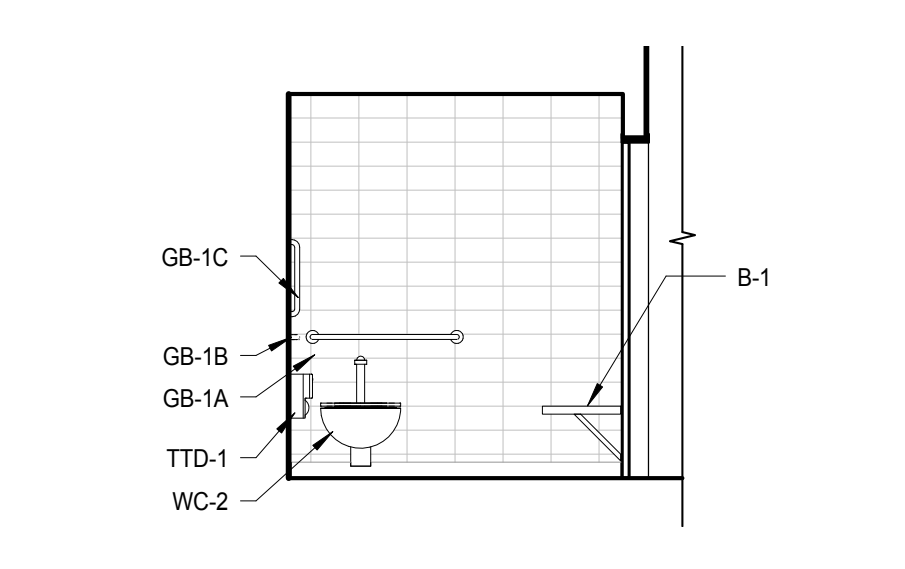
B5 ACCESSIBLE TOILET ROOM WEST ELEVATION
SCALE: 1/4" = 1'-0"



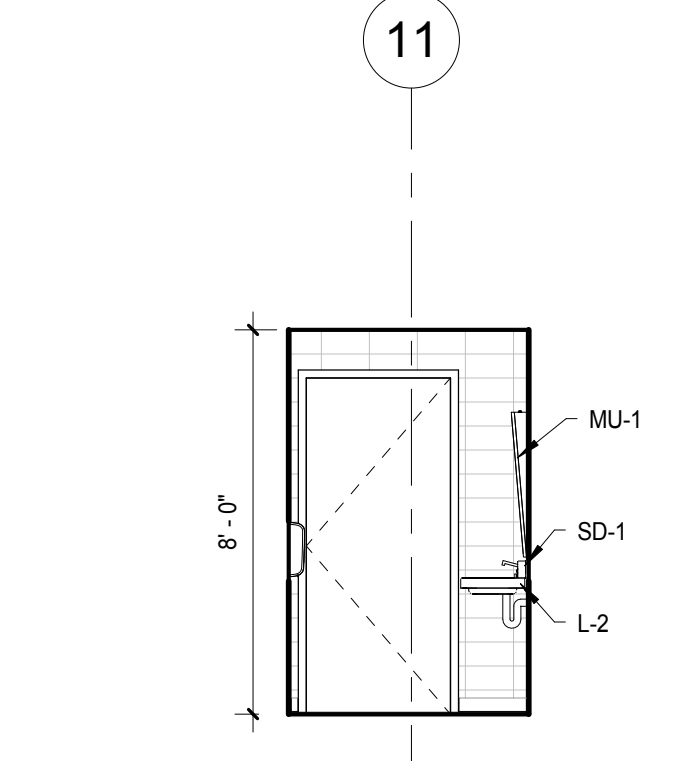
B4 ACCESSIBLE TOILET ROOM SOUTH ELEVATION
SCALE: 1/4" = 1'-0"



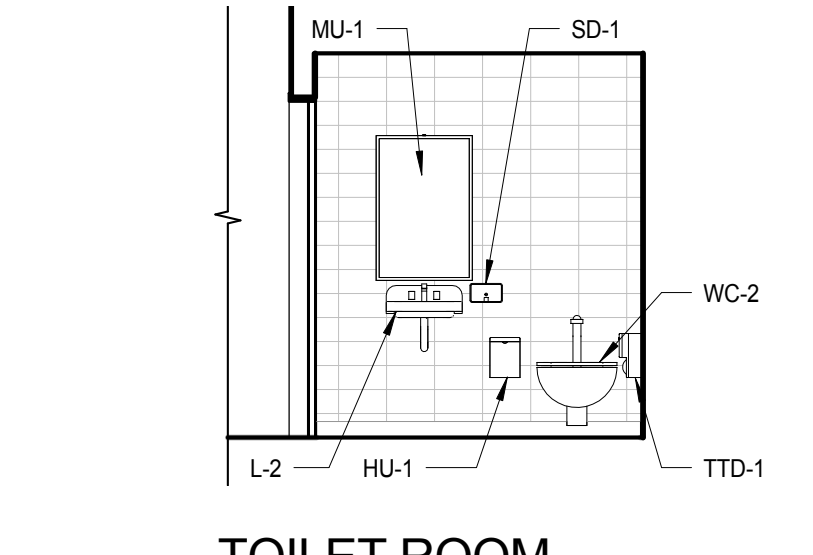
B3 ACCESSIBLE TOILET ROOM EAST ELEVATION
SCALE: 1/4" = 1'-0"



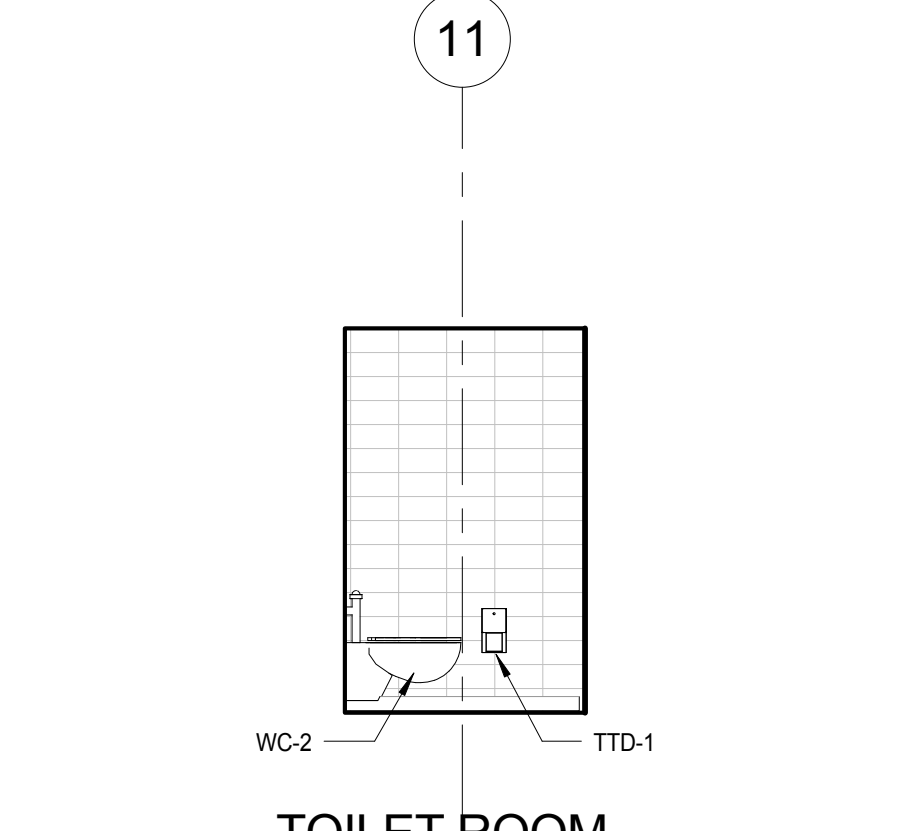
B2 ACCESSIBLE TOILET ROOM NORTH ELEVATION
SCALE: 1/4" = 1'-0"



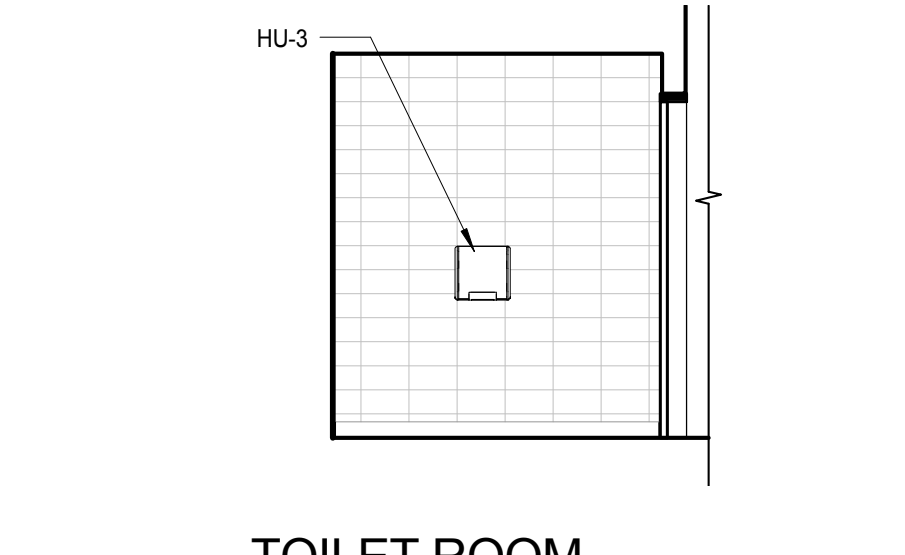
D5 TOILET ROOM WEST ELEVATION
SCALE: 1/4" = 1'-0"



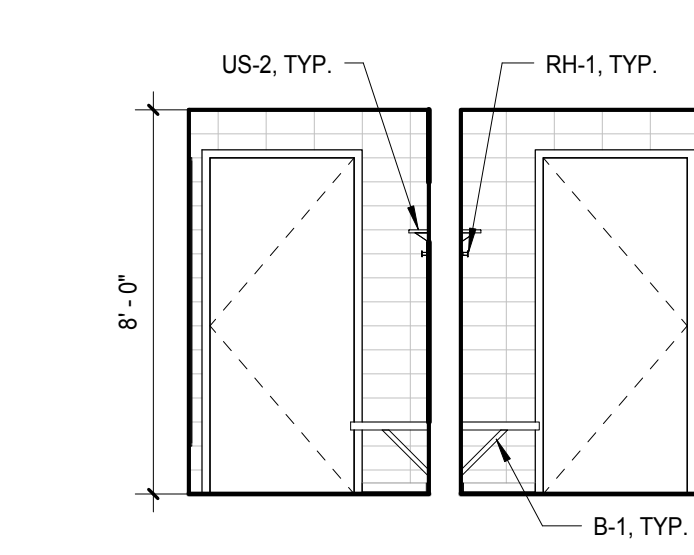
D4 TOILET ROOM SOUTH ELEVATION
SCALE: 1/4" = 1'-0"



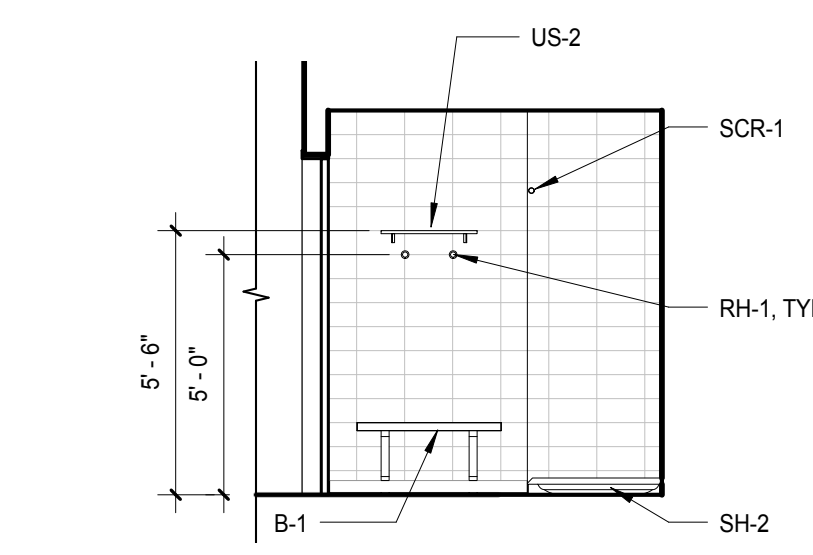
D3 TOILET ROOM EAST ELEVATION
SCALE: 1/4" = 1'-0"



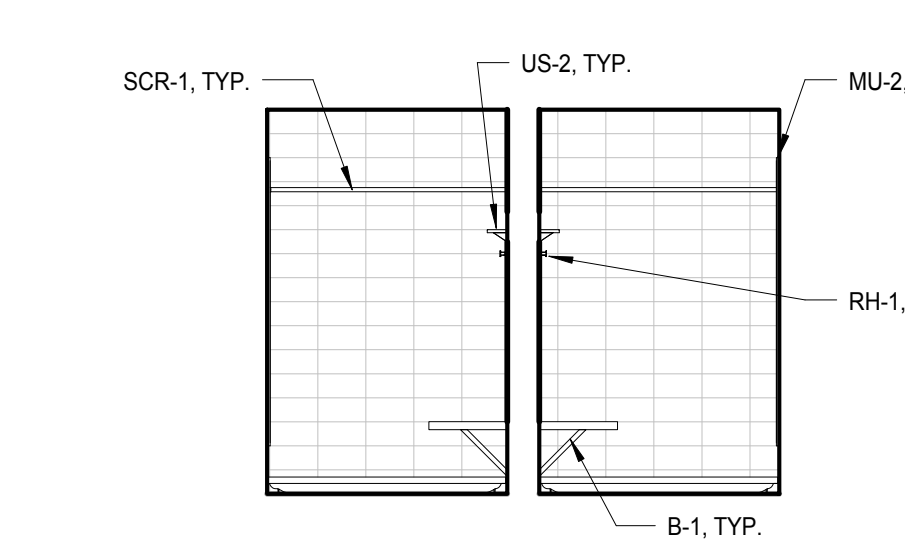
D2 TOILET ROOM NORTH ELEVATION
SCALE: 1/4" = 1'-0"



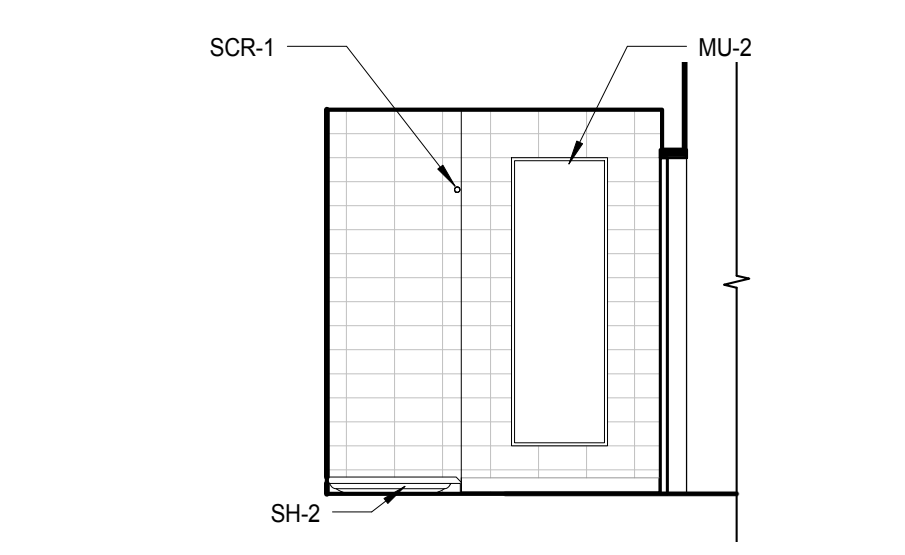
E5 TYPICAL SHOWER ROOM WEST ELEVATION
SCALE: 1/4" = 1'-0"



E4 TYPICAL SHOWER ROOM SOUTH ELEVATION
SCALE: 1/4" = 1'-0"



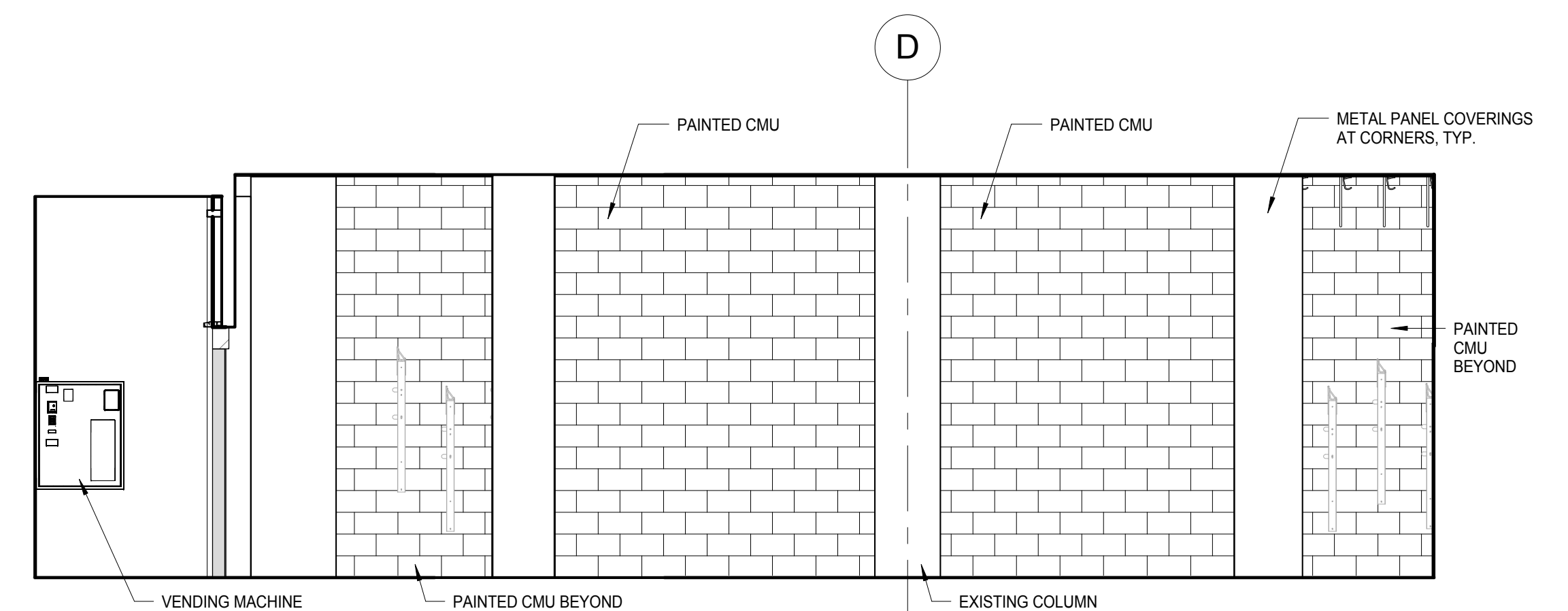
E3 TYPICAL SHOWER ROOM EAST ELEVATION
SCALE: 1/4" = 1'-0"



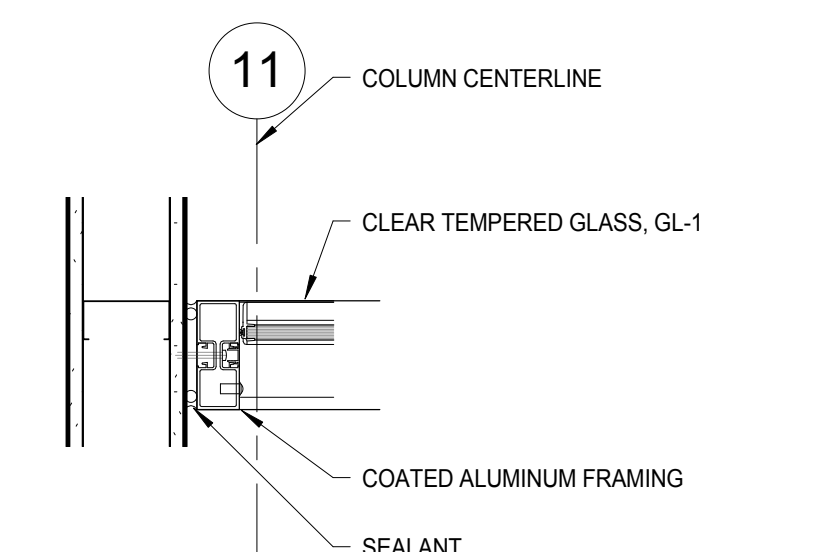
E2 TYPICAL SHOWER ROOM NORTH ELEVATION
SCALE: 1/4" = 1'-0"

PLUMBING ACCESSORIES SCHEDULE							
T&C	ITEM DESCRIPTION	LOCATION	MANUFACTURER	PRODUCT MODEL NO.	COLOR/FINISH	SIZE	COMMENTS
GB-1A	ACCESSIBLE 36" HORIZONTAL GRAB BAR	ACCESSIBLE TOILET & SHOWER ROOM	BOBRICK	B-5906	POLISHED STAINLESS STEEL	VARIABLE	
GB-1B	ACCESSIBLE 24" HORIZONTAL GRAB BAR	ACCESSIBLE TOILET & SHOWER ROOM	BOBRICK	B-5906	POLISHED STAINLESS STEEL	VARIABLE	
GB-1C	ACCESSIBLE 18" VERTICAL GRAB BAR	ACCESSIBLE TOILET & SHOWER ROOM	BOBRICK	B-5906	POLISHED STAINLESS STEEL	VARIABLE	
GA-3	24" VERTICAL GRAB BAR (IN SHOWER)	ACCESSIBLE TOILET & SHOWER ROOM	BOBRICK	B-5906	POLISHED STAINLESS STEEL	VARIABLE	
HU-1	SANITARY NAPKIN DISPOSAL	ALL TOILET ROOMS	BOBRICK	B-270	POLISHED STAINLESS STEEL	7 1/2" W, 10" H, 3 1/8" D	
HU-3	ELECTRIC HAND DRYER	ALL TOILET ROOMS	BOBRICK	B-7120	POLISHED STAINLESS STEEL	3-15/16" D	
TTD-1	TOILET PAPER DISPENSER	ALL TOILET ROOMS	BOBRICK	B-2888	SATIN STAINLESS STEEL	6 1/8" W, 11" H, 5 1/8" D	
MU-1	TILTED MIRROR	ALL TOILET ROOMS	BOBRICK	B-294	SATIN STAINLESS STEEL	24" W, 36" H	
MU-2	PULL LENGTH MIRROR	SHOWER ROOMS	BOBRICK	B-290	SATIN STAINLESS STEEL	24" W x 72" H	
US-2	UTILITY SHELF	SHOWER ROOMS	BOBRICK	B-296	SATIN STAINLESS STEEL	16" L x 6" W	
SD-1	SOAP DISPENSER	ALL TOILET ROOMS	BOBRICK	B-2112	SATIN STAINLESS STEEL	8 1/2" W, 4 3/8" H	
SS-1	REVERSIBLE FOLDING SHOWER SEAT	ACCESSIBLE TOILET & SHOWER ROOM	BOBRICK	B-5181	IVORY	33" W, 22 5/16" D	
SCR-1	SHOWER CURTAIN ROD	ALL SHOWER ROOMS	BOBRICK	B-207	POLISHED STAINLESS STEEL	VARIABLE	
RH-1	ROBE HOOK	ALL SHOWER ROOMS	KOHLER	K-14443-CP	POLISHED CHROME	1-3/4" L, 1-7/8" H, 1-7/8" W	
B-1	WALL MOUNTED BENCH	ALL SHOWER ROOMS	GLOBAL INDUSTRIAL	WB08864TN	WOOD	24" W X 42" L	

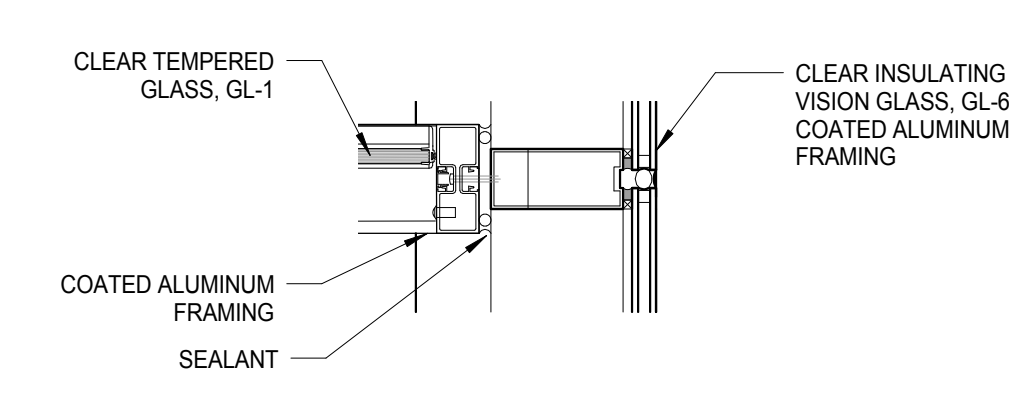
Note: For mounting heights and locations, see G-101.0 and G-101.1.



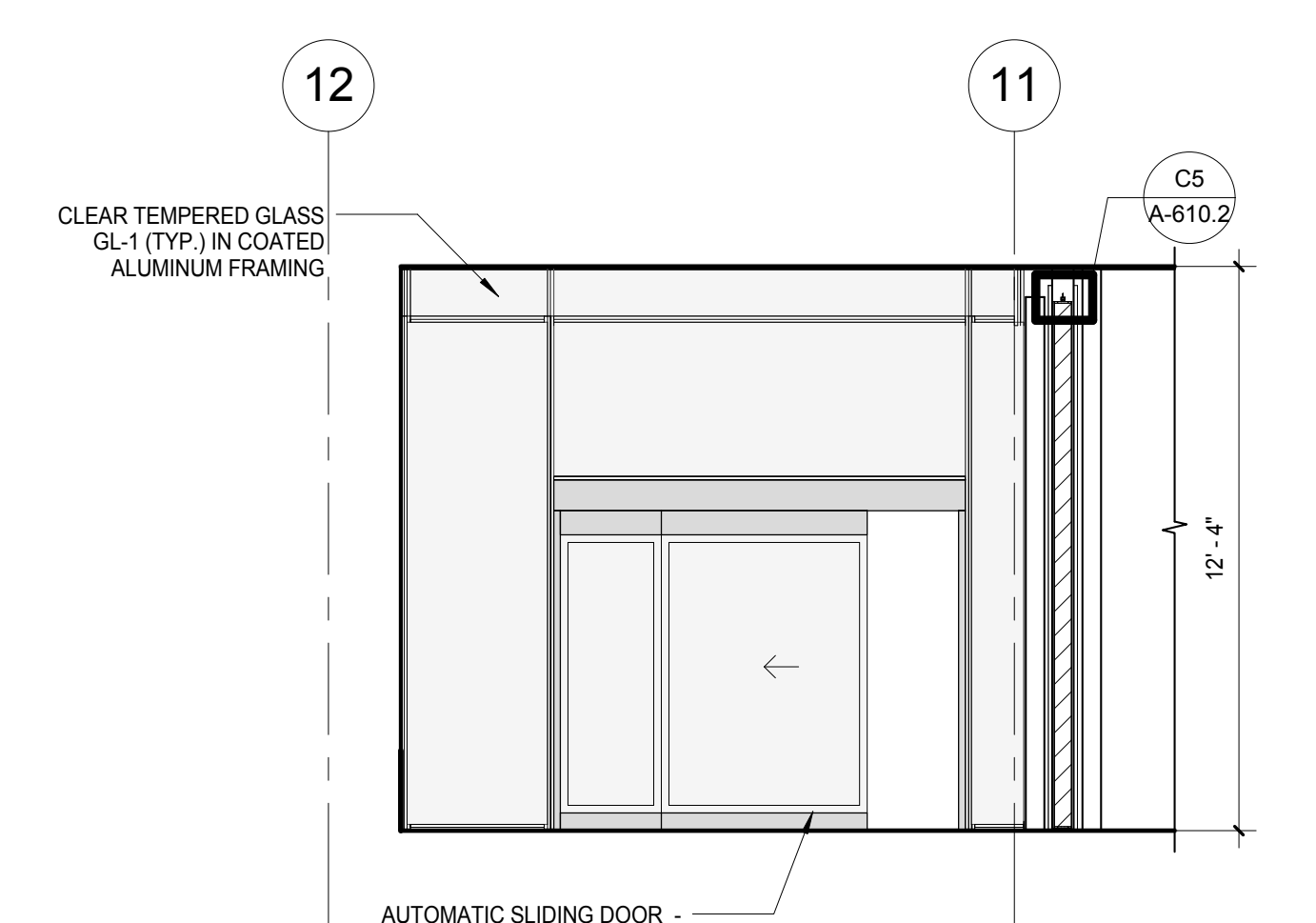
H4 BICYCLE CENTER - SOUTH ELEVATION
SCALE: 1/4" = 1'-0"



J6 MULLION TO DRYWALL DETAIL
SCALE: 1 1/2" = 1'-0"



K6 MULLION TO CURTAIN WALL DETAIL
SCALE: 1 1/2" = 1'-0"



K4 BICYCLE CENTER - VESTIBULE DOOR ELEVATION
SCALE: 1/4" = 1'-0"

- General Notes**
- 1. WC-2 WATER CLOSET (SEE SPEC SECTION 22 40 00)
 - 2. L-2 LAVATORIES (SEE SPEC SECTION 22 40 00)
 - 3. S-2 SINK (SEE SPEC SECTION 22 40 00)
 - 4. F-1 FAUCET (SEE SPEC SECTION 22 40 00)
 - 5. SH-1 SHOWER (SEE SPEC SECTION 22 40 00)
 - 6. SH-2 ACCESSIBLE SHOWER (SEE SPEC SECTION 22 40 00)
 - 7. EWC-1 ELECTRIC WATER COOLER (SEE SPEC SECTION 22 40 00)
- FOR MOUNTING HEIGHTS AND LOCATIONS, SEE G-101.0 & G-101.1.

NOTE:
THE "JUDGE DOYLE PODIUM" SET HAS A SIMILAR NUMBERING SYSTEM RELATIVE TO THE "JUDGE DOYLE SQUARE - NEW MUNICIPAL PARKING FACILITY" WHICH IS INCLUDED FOR REFERENCE ONLY

6	JUDGE DOYLE PODIUM ADDENDUM 2	01/18/2019
4	ISSUED FOR PODIUM BID	12/07/2018
3	ISSUED FOR STATE PLAN REVIEW	11/16/2018
2	Checklist	DWG

JUDGE DOYLE PODIUM
CITY OF MADISON

ARCHITECT:
lothan van hook destefano
ARCHITECTURE LLC

ASSOCIATE ARCHITECT:
INSITE CONSULTING ARCHITECTS

PARKING CONSULTANT:
WALKER

STRUCTURAL ENGINEERS:
HALVORSON AND PARTNERS

MEP/P ENGINEERS:
AEI Affiliated Engineers

CIVIL ENGINEERS:
Mead & Hunt

LANDSCAPE ARCHITECT:
WOLFF LANDSCAPE ARCHITECTURE

BICYCLE CENTER - INTERIOR ELEVATIONS

Drawing Title

Origin: _____ Date: _____
Author: _____ Number: 1182019-43537-PPH
Checked By: _____ Drawing Number: _____
Checker: _____
Approved: _____
Approver: _____
Job Number: _____
217-1088

A-610.1

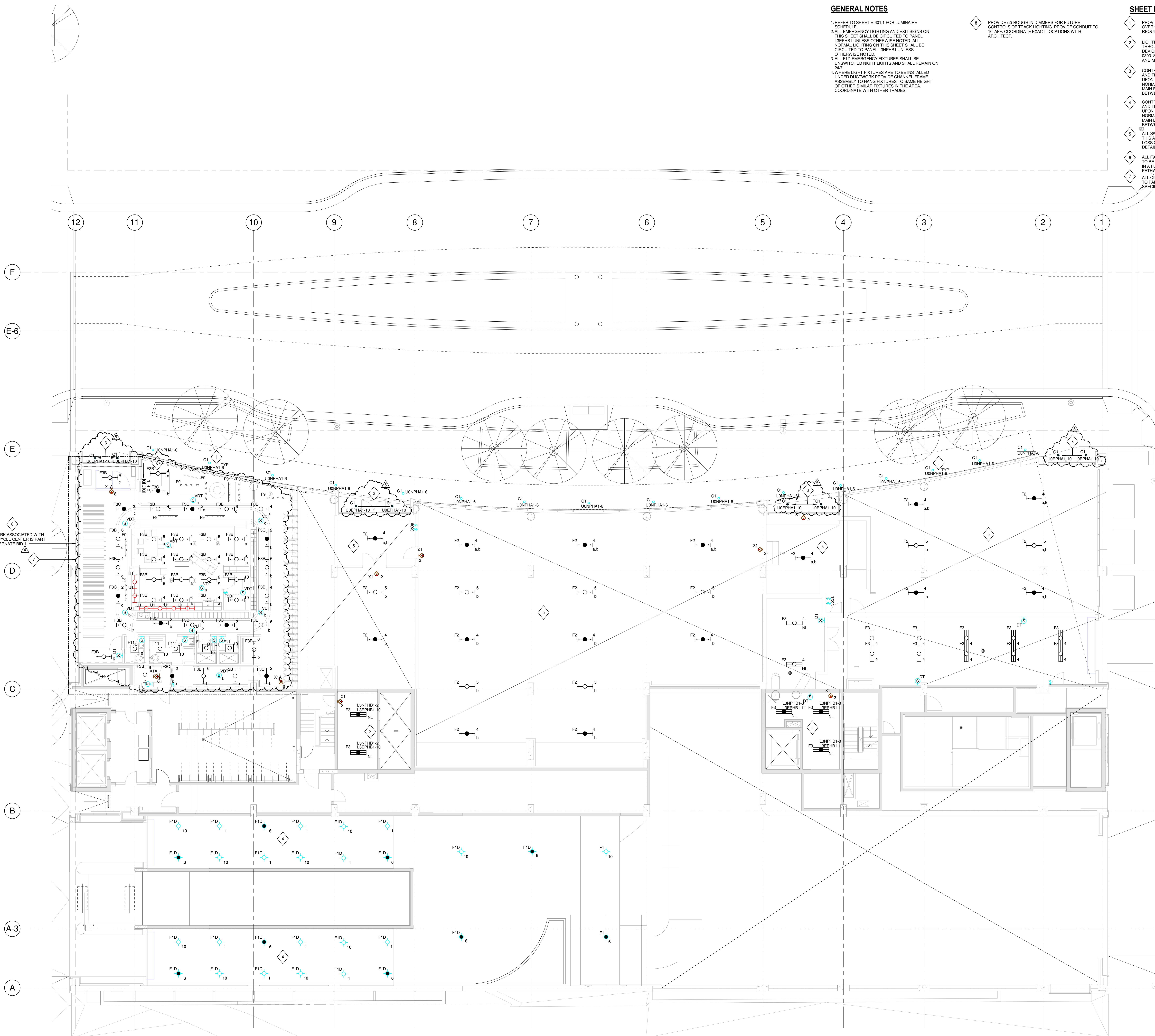
GENERAL NOTES

- 1 REFER TO SHEET E-601.1 FOR LUMINAIRE SCHEDULE.
- 2 ALL EMERGENCY LIGHTING AND EXIT SIGNS ON THIS SHEET SHALL BE CIRCUITED TO PANEL LSNPHB1 UNLESS OTHERWISE NOTED. ALL NORMAL LIGHTING ON THIS SHEET SHALL BE CIRCUITED TO PANEL LSNPH1 UNLESS OTHERWISE NOTED.
- 3 ALL FID EMERGENCY FIXTURES SHALL BE UNSWITCHED NIGHT LIGHTS AND SHALL REMAIN ON 24/7.
- 4 WHERE LIGHT FIXTURES ARE TO BE INSTALLED UNDER DUCTWORK PROVIDE CHANNEL FRAME ASSEMBLY TO HANG FIXTURES TO SAME HEIGHT OF OTHER SIMILAR FIXTURES IN THE AREA. COORDINATE WITH OTHER TRADES.

- 5 PROVIDE (2) ROUGH IN DIMMERS FOR FUTURE CONTROLS OF TRACK LIGHTING. PROVIDE CONDUIT TO 10' AFF. COORDINATE EXACT LOCATIONS WITH ARCHITECT.

SHEET KEY NOTES

- 1 PROVIDE RECESSED MOUNTED CAN LIGHT FIXTURE IN OVERHANG CANOPY. COORDINATE EXACT LOCATION, REQUIREMENTS AND STYLE WITH ARCHITECT.
- 2 LIGHTING WITHIN THIS SPACE SHALL BE SERVED THROUGH UL 1008 BRANCH CIRCUIT TRANSFER DEVICE. DEVICE TO BE LOCATED IN LEVEL 3 ELECTRICAL ROOM 0003. SEE SHEET E-101.1 FOR UL 1008 DEVICE LOCATION AND MORE INFORMATION.
- 3 CONTROLLED BY 365 DAY ASTRONOMICAL TIME CLOCK AND THROUGH UL 824 TO TURN LIGHTING ON TO 100% UPON LOSS OF NORMAL POWER. PROVIDE UNSWITCHED NORMAL POWER CIRCUIT TO UL 824 DEVICE. LOCATE IN MAIN ELECTRICAL ROOM U006-1 ON LEVEL U0 LOCATED BETWEEN COLUMN LINES 3 & 4 AND C & D.
- 4 CONTROLLED BY 365 DAY ASTRONOMICAL TIME CLOCK AND THROUGH UL 824 TO TURN LIGHTING ON TO 100% UPON LOSS OF NORMAL POWER. PROVIDE UNSWITCHED NORMAL POWER CIRCUIT TO UL 824 DEVICE. LOCATE IN MAIN ELECTRICAL ROOM U006-1 ON LEVEL U0 LOCATED BETWEEN COLUMN LINES 3 & 4 AND C & D.
- 5 ALL SWITCHED/CONTROLLED EMERGENCY LIGHTING IN THIS AREA SHALL BE CONTROLLED ON TO 100% UPON LOSS OF NORMAL POWER VIA A UL824 DEVICE. REFER TO DETAIL 2 ON SHEET E-701.1 FOR MORE INFORMATION.
- 6 ALL F9 AND U1 FIXTURES SHOWN ON THIS DRAWING ARE TO BE ROUGH IN ONLY. FIXTURES WILL BE PURCHASED IN A FUTURE PROJECT. PROVIDE CONDUIT AND PATHWAY ONLY.
- 7 ALL CIRCUITS IN THIS AREA SHALL BE CIRCUITED TO PANEL LSNPL-1 UNLESS OTHERWISE SPECIFIED.



NOTE:
 THE " JUDGE DOYLE PODIUM" SET HAS A SIMILAR NUMBERING SYSTEM RELATIVE TO THE "JUDGE DOYLE SQUARE - NEW MUNICIPAL PARKING FACILITY" WHICH IS INCLUDED FOR REFERENCE ONLY

5	JUDGE DOYLE PODIUM ADDENDUM 2	01/18/2019
4	JUDGE DOYLE PODIUM ADDENDUM 1	01/03/2019
3	ISSUED FOR PODIUM BID	12/07/2018
2	ISSUED FOR STATE PLAN REVIEW	11/16/2018
1	ISSUED FOR DESIGN DEVELOPMENT	08/14/2018

- JUDGE DOYLE SQUARE - BLOCK 88 PODIUM
 JUDGE DOYLE SQUARE
 CITY OF MADISON
- ARCHITECT:
lothan van hook destefano
 ARCHITECTURE LLC
- ASSOCIATE ARCHITECT:
INSITE CONSULTING ARCHITECTS
- PARKING CONSULTANT:
WALKER
- STRUCTURAL ENGINEERS:
H. ALVORSON AND PARTNERS
A WEST PARRSON BRUCKERHOFF COMPANY
- MEPP ENGINEERS:
AEI Affiliated Engineers
- CIVIL ENGINEERS:
Mead & Hunt
- LANDSCAPE ARCHITECT:
WOLFF LANDSCAPE ARCHITECTURE
PLANNING LANDSCAPE ARCHITECTURE URBAN DESIGN

Drawing Title
 LIGHTING LEVEL 2 PLAN - DOTY STREET

Drawn	Date
AEI	1/17/2019 3:15:59 PM
Checked By	Drawing Number
AEI	
Approved	
AEI	
Job Number	
217-1088	

E-102.1

C:\Users\ENCL\Documents\Revit\2018 Local Copy\18878-00_DDS Podium_E_General_2.mpd\sheeting.dwg
 1/17/2019 3:15:59 PM

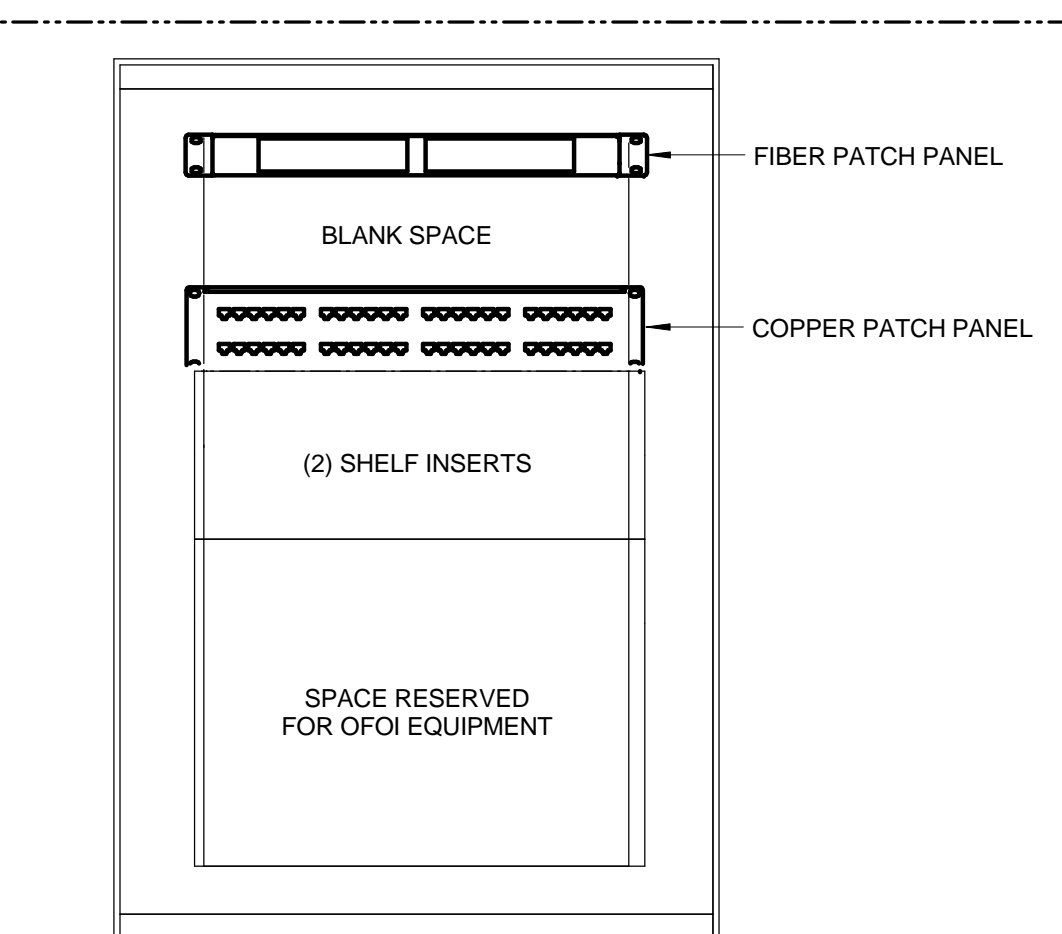
GENERAL NOTES

- 1 REFER TO MECHANICAL M-SERIES DRAWINGS FOR LOCATIONS OF FIRE SMOKE DAMPERS. EACH FIRE SMOKE DAMPER SHALL HAVE A DEDICATED DUCT MOUNTED SMOKE DETECTOR LOCATED WITHIN 5'-0" OF THE FIRE SMOKE DAMPER. THE DETECTOR SHALL BE FURNISHED BY THE FIRE ALARM VENDOR. INSTALLATION IN DUCT BY FIRE ALARM CONTRACTOR. WHEN SMOKE DETECTOR IS NOT LOCATED IN PLAIN SIGHT OR IS LOCATED MORE THAN 1' ABOVE FLOOR PROVIDE REMOTE TEST SWITCH AND ALARM STATUS INDICATOR IN NEARBY ACCESSIBLE, NON-PUBLIC LOCATION. COORDINATE LOCATION WITH ARCHITECT OWNER.
- 2 SPECIFICATION SECTION 28 3116 AND FIRE ALARM DRAWINGS ESTABLISH THE MINIMUM REQUIREMENTS FOR THE FIRE ALARM SYSTEM SCOPE OF WORK. PROVIDE ALL EQUIPMENT, DEVICES, APPLIANCES, WIRING AND MATERIALS NECESSARY FOR A COMPLETE AND EXPANDABLE SYSTEM WHICH ADHERES TO APPLICABLE CODES AND STANDARDS.
- 3 SMOKE DETECTORS SHALL BE LOCATED IN ACCESSIBLE LOCATIONS FOR TESTING AND MAINTENANCE.
- 4 REFER TO ELECTRICAL POWER DRAWINGS FOR ELECTRICAL CIRCUITS PROVIDED FOR FIRE ALARM SYSTEM EQUIPMENT.
- 5 REFER TO FIRE PROTECTION DRAWINGS FOR EXACT QUANTITY AND LOCATION OF WATER FLOW AND TAMPER SWITCHES. PROVIDE MONITORING MODULE AT EACH WATER FLOW AND TAMPER SWITCH FOR FIRE ALARM SYSTEM MONITORING.
- 6 EXPAND THE EXISTING TURNKEY EMERGENCY RESPONDER RADIO COVERAGE SYSTEM. PROVIDE A FULLY FUNCTIONAL SYSTEM PER SPECIFICATION SECTION 275319.

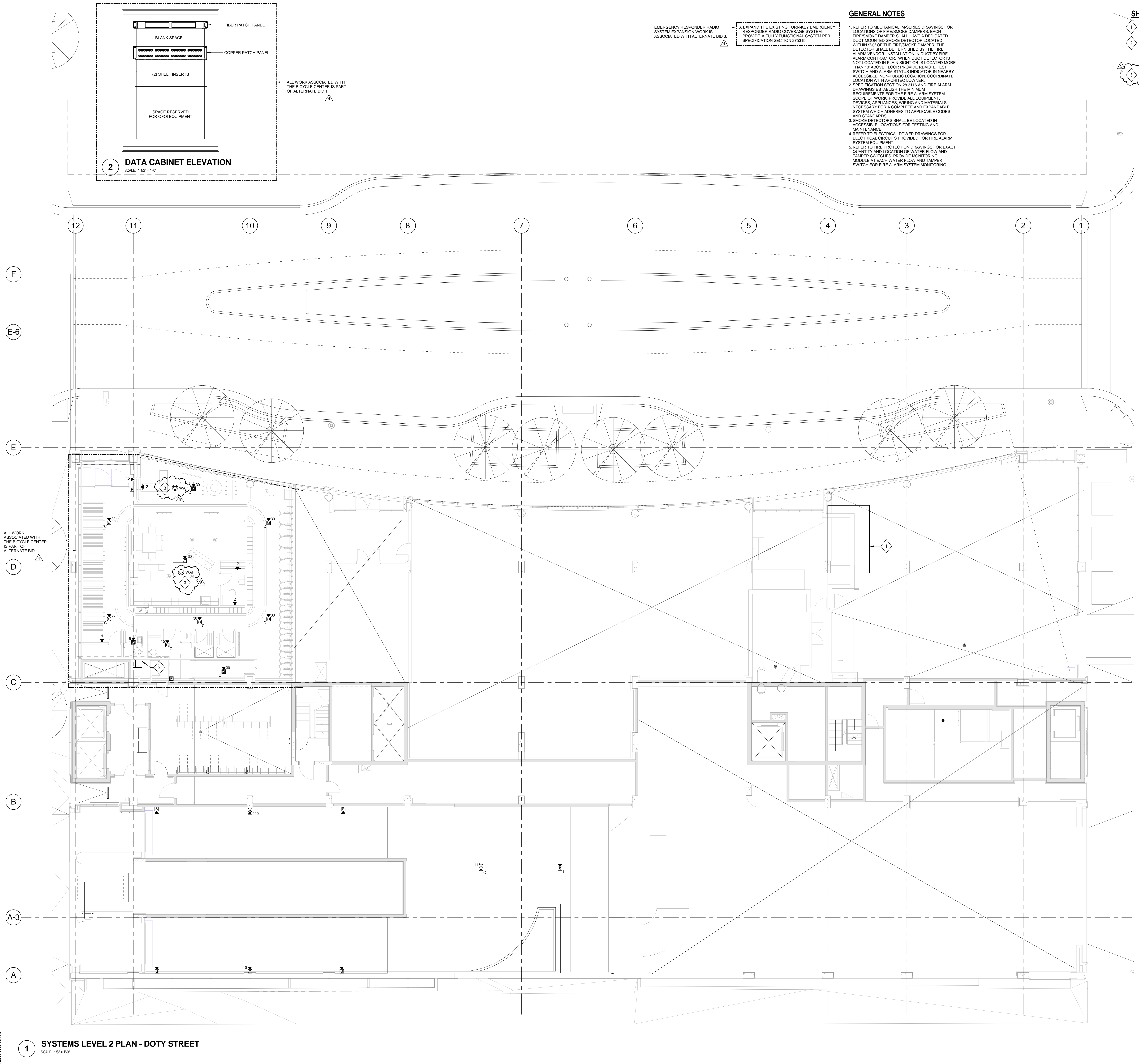
SHEET KEY NOTES

- 1 LOCATION OF NETPOP ROOM U001-1 ON LEVEL U0 BELOW.
- 2 PROVIDE WALL MOUNTED DATA RACK EQUAL TO COOPER B-LINE P/N VLVWMS03P WITH FAN AND FILTER KIT P/N VLVWMS1. MOUNT CABINET HIGH ON WALL. COORDINATE EXACT LOCATION. EXTEND (1) 1/2" CONDUIT BACK TO PRIVATE NETPOP ROOM U001-1 ON PARKING LEVEL U0. SEE DETAIL 2 THIS SHEET.
- 3 WIRELESS ACCESS POINTS AND ASSOCIATED MOUNTING HARDWARE SHALL BE CFCI.

2 DATA CABINET ELEVATION
SCALE: 1/12" = 1'-0"



ALL WORK ASSOCIATED WITH THE BICYCLE CENTER IS PART OF ALTERNATE BID 1



ALL WORK ASSOCIATED WITH THE BICYCLE CENTER IS PART OF ALTERNATE BID 1

1 SYSTEMS LEVEL 2 PLAN - DOTY STREET
SCALE: 1/8" = 1'-0"

NOTE:
THE " JUDGE DOYLE PODIUM" SET HAS A SIMILAR NUMBERING SYSTEM RELATIVE TO THE "JUDGE DOYLE SQUARE - NEW MUNICIPAL PARKING FACILITY" WHICH IS INCLUDED FOR REFERENCE ONLY

5	JUDGE DOYLE PODIUM ADDENDUM 2	01/18/2019
4	JUDGE DOYLE PODIUM ADDENDUM 1	01/03/2019
3	ISSUED FOR PODIUM BID	12/07/2018
2	ISSUED FOR STATE PLAN REVIEW	11/16/2018
1	ISSUED FOR DESIGN DEVELOPMENT	08/14/2018
NO.	REVISION	DATE

JUDGE DOYLE SQUARE - BLOCK 88 PODIUM
 JUDGE DOYLE SQUARE
 CITY OF MADISON
 ARCHITECT:
lothan van hook destefano
 ARCHITECTURE LLC
 ASSOCIATE ARCHITECT:
INSITE CONSULTING ARCHITECTS
 PARKING CONSULTANT:
WALKER
 STRUCTURAL ENGINEERS:
HALVORSON AND PARTNERS
 MEPP ENGINEERS:
AEI Affiliated Engineers
 CIVIL ENGINEERS:
Mead & Hunt
 LANDSCAPE ARCHITECT:
WOLFF LANDSCAPE ARCHITECTURE
 PLANNING
 LANDSCAPE ARCHITECTURE
 URBAN DESIGN

Drawing Title
SYSTEMS LEVEL 2 PLAN - DOTY STREET

Drawn	Date
AEI	1/16/2019 7:40:53 AM
Checked By	Drawing Number
AEI	
Approved	
AEI	
Job Number	
217-1088	

E-122.1

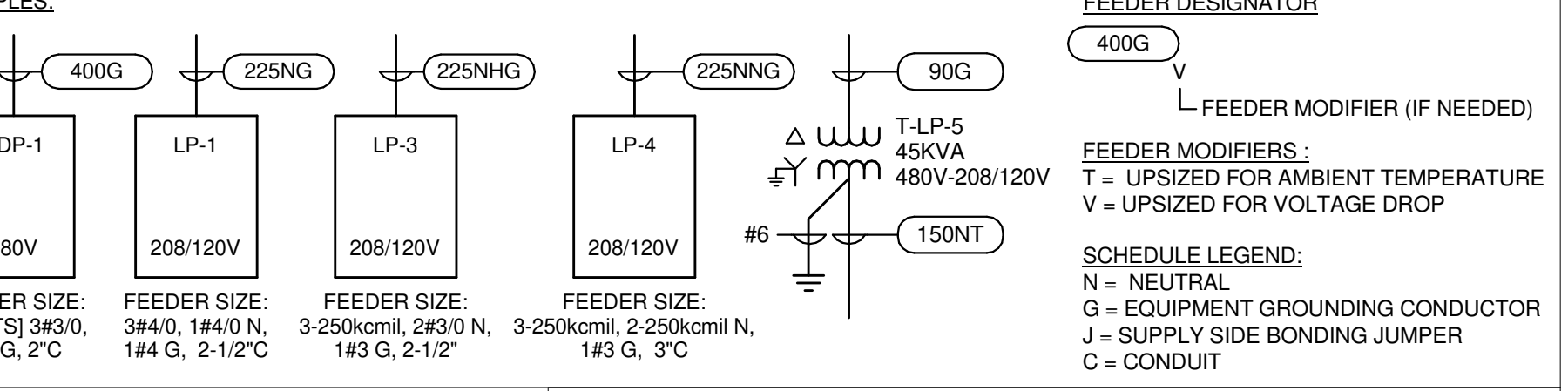
GENERAL NOTES

1. REFER TO DETAIL 4 AND 7 ON SHEET E-500 FOR FREE STANDING MOTOR DISCONNECT DETAIL AND VFD UNIT WIRING SCHEMATIC.

FEEDER SCHEDULE

Table with columns: FEEDER TAG, CONDUCTORS (SUFFIX G), CONDUCTORS (SUFFIX NG), CONDUCTORS (SUFFIX NT). Lists various feeder sizes and conductor configurations.

Table with columns: XFRM RATING KVA, REFERENCE TAG, TRANSFORMER GROUNDING ELECTRODE CONDUCTOR (SUFFIX NT), TRANSFORMER GROUNDING ELECTRODE CONDUCTOR (SUFFIX NNT, NNT, & NCT), CONDUCTORS (SUFFIX NT). Lists transformer ratings and grounding conductor details.



TRANSFORMER GROUNDING/BONDING SCHEDULE table with columns: TRANSFORMER SIZE, SYSTEM BONDING, EQUIPMENT BONDING, GROUNDING ELECTRODE CONDUCTOR.

1 COPPER FEEDER SCHEDULE SCALE: 1/2" = 1'-0"

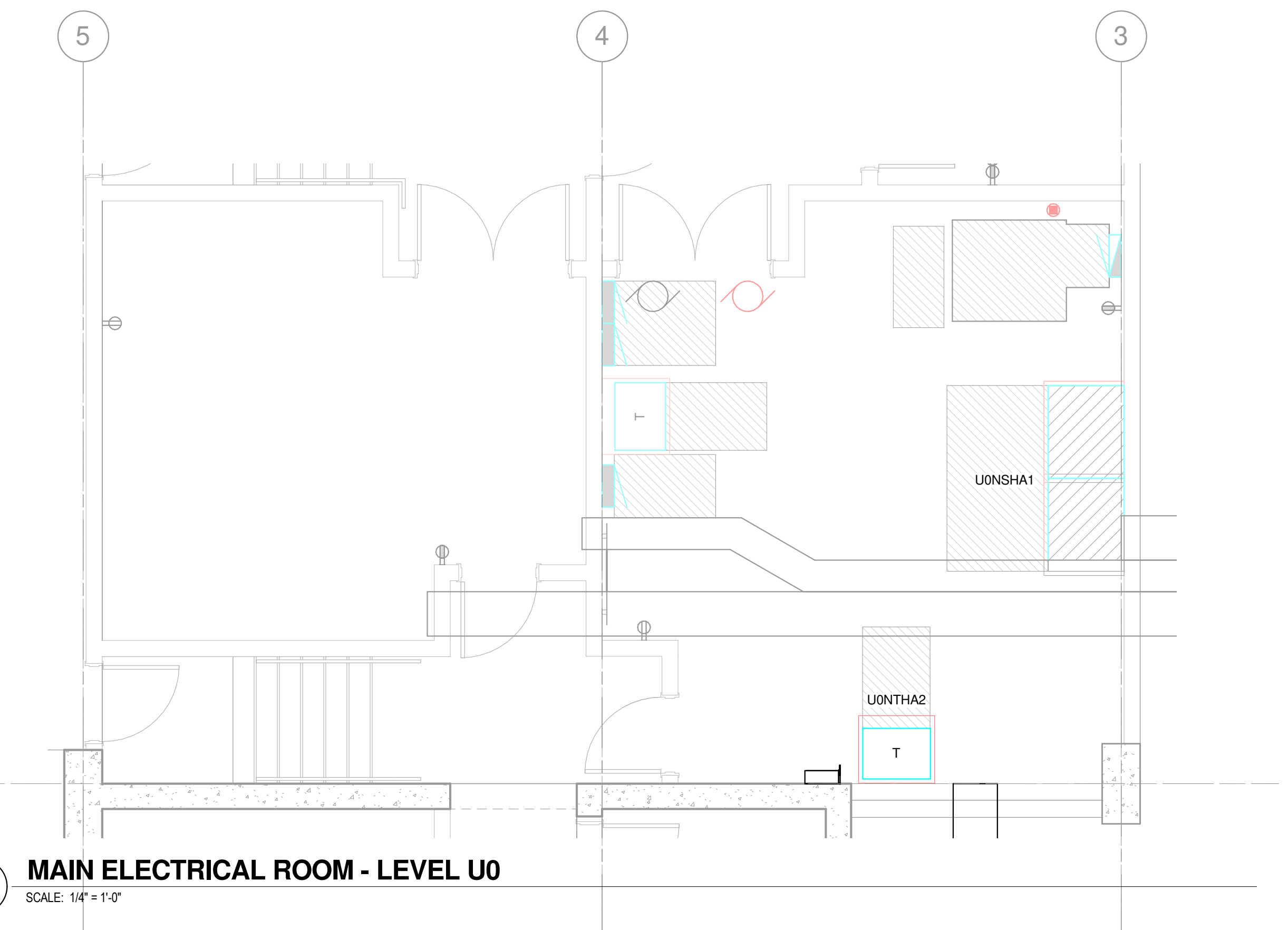
LUMINAIRE SCHEDULE

Table with columns: TYPE, MANUFACTURER, CATALOG NUMBER, SOURCE TYPE & QTY., DRIVER - QTY. & TYPE, WATTS, VOLT., MOUNTING, NOTES, LOCATION. Lists various luminaire models and specifications.

2 Podium Luminaire Schedule SCALE: 1/2" = 1'-0"

Table with columns: Nominal Ampere Rating, Conductors 3W-G, 100%N, Conductors 4W-G, 100%N, Conductors 4W-G, 100%N, 1#12G, 1#12G, 3/4"C, Conductors 3W-G, 100%N, 1#12G, 3/4"C. Legend of conduit and wire sizes.

2 BRANCH CIRCUIT WIRING SCHEDULE SCALE: 1/2" = 1'-0"



3 MAIN ELECTRICAL ROOM - LEVEL U0 SCALE: 1/4" = 1'-0"

EQUIPMENT SCHEDULE table with columns: EQ. TAG, EQ. ID, DESCRIPTION, LEVEL, EM POWER, QUANTITY OF MOTORS, MOTOR EQUIPMENT DATA, HORSEPOWER, APPARENT LOAD (KVA), FLA (A), MCA (A), CIRCUIT INFORMATION, CONDUIT AND WIRE REQUIREMENTS, PROVISION OF CONTROLS, PROVISION OF DISCONNECTING MEANS, PROVISIONS OF DISCONNECTING MEANS OTHER THAN DIV 26, Comments.

NOTE: THE " JUDGE DOYLE PODIUM" SET HAS A SIMILAR NUMBERING SYSTEM RELATIVE TO THE "JUDGE DOYLE SQUARE - NEW MUNICIPAL PARKING FACILITY" WHICH IS INCLUDED FOR REFERENCE ONLY

Revision table with columns: No., Description, Date.

JUDGE DOYLE SQUARE - BLOCK 88 PODIUM CITY OF MADISON ARCHITECT: lothan van hook destefano ARCHITECTURE LLC ASSOCIATE ARCHITECT: INSITE CONSULTING ARCHITECTS PARKING CONSULTANT: WALKER STRUCTURAL ENGINEERS: HALVORSON AND PARTNERS MEPPP ENGINEERS: AEI Affiliated Engineers CIVIL ENGINEERS: Mead & Hunt LANDSCAPE ARCHITECT: WOLFF LANDSCAPE ARCHITECTURE

Electrical Schedules section with drawing title and scale information.

Drawn Date: 1/17/2019 12:00:52 PM Checked By: Drawing Number: Approved: E-600.I Job Number: 217-1088

TECHNOLOGY SCOPE RESPONSIBILITY MATRIX

ITEM	SHOWN ON	FURNISHED BY	INSTALLED BY	NOTES
TECHNOLOGY SYSTEMS ROUGH-IN, INCLUDING BACKBOXES, TRIM RINGS, CONDUIT AND SLEEVES	T-SERIES	EC	EC	1
EQUIPMENT ROOM POWER RECEPTACLES	E-SERIES (PWR)	EC	EC	
BACKBONE CABLING, TERMINATION COMPONENTS (e.g. WALL-FIELDS), TERMINATION, TESTING AND LABELING	T-SERIES	TC	TC	
PATCH PANELS	T-SERIES	TC	TC	
HORIZONTAL CABLING, TERMINATIONS, TESTING AND LABELING	T-SERIES	TC	TC	
SECURITY SYSTEMS (ACS, VSS) ROUGH-IN, INCLUDING BACKBOXES, TRIM RINGS AND CONDUIT	T-SERIES	EC	EC	
ACS FIELD DEVICES (e.g. CARD READERS, STATUS SENSORS, REX) AND CABLING	T-SERIES	TC	TC	
ACS DOOR HARDWARE INCLUDING ELECTRIC STRIKES, MAGNETIC LOCKS AND ASSOCIATED POWER SUPPLIES	T-SERIES	OC	OC / EC / TC	2
VSS HEAD-END	T-SERIES	OWNER	OWNER	
VSS MOUNTS AND CABLING	T-SERIES	TC	TC	
VSS CAMERAS	T-SERIES	OWNER	TC	

TECHNOLOGY SYSTEMS RESPONSIBILITY MATRIX NOTES:
 1. PENETRATIONS THROUGH FLOORS AND FIRE-RATED WALLS WHERE APPLICABLE SHALL BE FIRESTOPPED IN A MANNER THAT MAINTAINS THE RATING OF THE FLOOR OR WALL PENETRATED. REFER TO ARCHITECTURAL SPECIFICATIONS.
 2. CONTRACTOR SHALL COORDINATE THE INSTALLATION OF ALL ACCESS CONTROL SYSTEM COMPONENTS WITH DOOR AND DOOR HARDWARE VENDOR.
 3. ALL DEVICES TO BE INSTALLED IN LOCATIONS APPROVED BY AUTHORITY HAVING JURISDICTION (AHJ).

GENERAL NOTES

- WORK PERFORMED INCLUDES ALL LABOR, MATERIAL AND EQUIPMENT REQUIRED TO INSTALL COMPLETE TECHNOLOGY SYSTEMS AS INDICATED ON THESE DRAWINGS AND AS SPECIFIED.
- ALL TELECOMMUNICATIONS OUTLETS SHALL BE MOUNTED AT HEIGHTS ABOVE FINISHED FLOOR AS SHOWN IN THE DEVICE MOUNTING HEIGHT DETAIL U.N.O.
- SEE ELECTRICAL SPECIFICATIONS FOR LOCATIONS WHERE GRS CONDUIT SHALL BE USED, OR WHERE IMC, EMT, OR PVC CONDUIT MAY BE USED.
- BOXES LOCATED ON OPPOSITE SIDES OF NON-RATED WALLS SHALL BE OFFSET A MINIMUM OF 4" HORIZONTALLY. BOXES ON OPPOSITE SIDES OF FIRE-RATED WALLS SHALL BE OFFSET A MINIMUM OF 24" HORIZONTALLY. THROUGH-WALL BOXES SHALL NOT BE ALLOWED WITHOUT THE WRITTEN APPROVAL OF THE ARCHITECT/ENGINEER.
- CONTRACTOR SHALL VERIFY ALL EQUIPMENT SIZES AND POWER REQUIREMENTS FOR EQUIPMENT SUPPLIED BY OTHERS PRIOR TO INSTALLATION OF CONDUIT.
- TECHNOLOGY SYSTEMS EQUIPMENT DEVICES SHALL BE MOUNTED SO AS TO ALLOW ACCESS TO ELECTRICAL AND MECHANICAL EQUIPMENT. ALL MOUNTING OF TECHNOLOGY SYSTEMS EQUIPMENT DEVICES ON EQUIPMENT SUPPLIED BY ANOTHER CONTRACTOR SHALL BE COORDINATED WITH AND APPROVED BY THAT CONTRACTOR IN ADVANCE OF INSTALLATION.
- ALL ELECTRICAL CONDUITS AND JUNCTION BOXES SHALL BE CONCEALED. CONTRACTOR SHALL COORDINATE WITH THE OTHER TRADES AND USE CHASSES AND CEILING SPACES PROVIDED. WHERE BOXES AND CONDUIT ARE NOTED TO BE INSTALLED EXPOSED, THEY SHALL BE PAINTED TO MATCH THE SURFACE.
- CONTRACTOR SHALL BE RESPONSIBLE FOR ALL ALL OPENINGS REQUIRED IN WALLS. ALL OPENINGS SHALL BE REPAIRED TO MATCH EXISTING BY A QUALIFIED CONTRACTOR AT THE EXPENSE OF THIS CONTRACTOR. ALL CONDUITS THROUGH WALLS SHALL BE GROUDED OR SEALED INTO OPENINGS. PENETRATIONS THROUGH FLOORS AND FIRE-RATED WALLS SHALL BE FIRESTOPPED IN A MANNER THAT MAINTAINS THE RATING OF THE FLOOR OR WALL PENETRATED.
- ALL TRENCHING AND BACKFILL FOR BURIED ELECTRICAL CONDUITS SHALL BE BY THE CONTRACTOR UNLESS NOTED OTHERWISE.
- PROVIDE METALLIC TAPE ABOVE BURIED PVC CONDUIT FOR FUTURE LOCATING.
- CONDUIT ROUTED UNDER THE BUILDING SHALL BE MINIMUM 18" BELOW SLAB.
- ALL TELEPHONE AND DATA JACKS SHALL BE TERMINATED WITH ALL 4 PAIRS TO ALLOW FOR INTERCHANGEABILITY.
- ALL TELEPHONE AND DATA CABLES SHALL BE INSTALLED IN CONDUIT OR CABLE TRAY.
- ALL CONDUIT STUBS SHALL HAVE PLASTIC OR NYLON BUSHINGS INSTALLED PRIOR TO THE INSTALLATION OF CABLES.

TECHNOLOGY SYSTEMS ABBREVIATIONS

&	AND
3R	NEMA 3R RATED
4X	NEMA 4X RATED
@	AT
AE	ARCHITECT / ENGINEER
ACS	ACCESS CONTROL SYSTEM
AF	ABOVE FINISHED FLOOR
AFG	ABOVE FINISH GRADE
ALT	ALTERNATE
ANT	ANTENNA
AP	(WIRELESS) ACCESS POINT
AV	AUDIO VISUAL
BET	BUILDING ENTRANCE TERMINAL
BLDG	BUILDING
C	CONDUIT
CAB	CABINET
CATV	COMMUNITY ANTENNA TELEVISION
CL	CENTERLINE
CLG	CILING
COAX	COAXIAL
COMM	COMMUNICATIONS
DOB	DOOR CONTROLLER BOX
DO	DOOR OPERATOR
DSS	DIGITAL SATELLITE SERVICE
DWG	DRAWING
EC	ELECTRICAL CONTRACTOR
EMT	ELECTRICAL METALLIC TUBING
ETR	EXISTING TO REMAIN
FA	FIRE ALARM
FAAP	FIRE ALARM ANNUNCIATOR PANEL
FAFP	FIRE ALARM CONTROL PANEL
FO	FURNISHED AND INSTALLED BY OTHERS
FO	FIBER OPTIC
FPD	FLAT-PANEL DISPLAY
GC	GENERAL CONTRACTOR
GND	GROUND
GRC	GALVANIZED RIGID CONDUIT
GRS	GALVANIZED RIGID STEEL
HH	HAND HOLE
HPC	HIGH PINK COUNT
HVAC	HEATING, VENTILATION, AIR CONDITIONING
IDF	INTERMEDIATE DISTRIBUTION FRAME
IDIS	INFORMATION DISPLAY SYSTEM
X	X DENOTES SUBSYSTEM (F, B, T, G)
IDS	INTRUSION DETECTION SYSTEM
IMC	INTERMEDIATE METALLIC CONDUIT
IT	INFORMATION TECHNOLOGY
ITS	INFORMATION TRANSPORT SYSTEMS
JB	JUNCTION BOX
MAX	MAXIMUM
MDF	MAIN DISTRIBUTION FRAME
MH	MAN HOLE
MIN	MINIMUM
MMFO	MULTIMODE FIBER OPTIC
MMS	MASS NOTIFICATION SYSTEM
MON	MONITOR
MTD	MOUNTED
NC	NOT IN CONTRACT
NTS	NOT TO SCALE
NTWK	NETWORK (DATA)
OC	ON CENTER
OFCI	OWNER-FURNISHED, CONTRACTOR-INSTALLED
OFDI	OWNER-FURNISHED, OWNER-INSTALLED
PA	PUBLIC ADDRESS
PROJ	PROJECTOR
PTZ	PAN - TILT - ZOOM
PVC	POLYVINYL CHLORIDE
RCV	RECEIVER
REQD	REQUIRED
SCHED	SCHEDULE
SE	SERVICE ENTRANCE
SMFO	SINGLEMODE FIBER OPTIC
SS	STAINLESS STEEL
SYS	SYSTEM
TBR	TO BE REMOVED
TGB	TELECOMMUNICATIONS GROUNDING BUSBAR
TMGB	TELECOMMUNICATIONS MAIN GROUNDING BUSBAR
TSE	TELEPHONE SERVICE EQUIPMENT
TV	TELEVISION
TYP	TYPICAL
UF	UNDER FLOOR
UG	UNDERGROUND
UNO	UNLESS NOTED OTHERWISE
UTP	UNSHIELDED TWISTED PAIR
VSS	VIDEO SURVEILLANCE SYSTEM
WL	WET LOCATION LISTED
WP	WEATHERPROOF
WS	WORKSTATION

GENERAL SYMBOLS

- WT-### DETAIL NUMBER / SHEET NUMBER
 (R)### KEYED NOTE, USED TO DESCRIBE ADDITIONAL INFORMATION OF WORK REQUIRED, SPECIFIC TO THE SHEET AND/OR DETAIL. IT IS SHOWN WITH
- LINE TYPE KEY**
- NEW WORK BY THIS CONTRACTOR (DARK SOLID LINE)
 - EXISTING TO BE REMOVED BY THIS CONTRACTOR (DARK DASHED LINE)
 - EXISTING TO REMAIN WORK (HALFTONE SOLID LINE)
 - NEW WORK UNDER FLOOR BY THIS CONTRACTOR

SECURITY SYSTEM SYMBOLS

- SEC SECURITY SYSTEMS EQUIPMENT CABINET
- FC FIXED CAMERA LOCATION
- FC 180 FIXED CAMERA 180 DEGREE
- FC 360 FIXED CAMERA 360 DEGREE
- CSM VIDEO SURVEILLANCE SYSTEM MONITOR
- CR CREDENTIAL READER
- EL ELECTRIFIED LOCKSET WITH REQUEST-TO-EXIT MICROSWITCH
- PT ELECTRONIC POWER TRANSFER
- KP KEYPAD
- PB PUSHBUTTON
- DB DURESS BUTTON
- MS MOTION SENSOR 360 DEGREE - ON DECK/SLAB
- PS POSITION SWITCH
- GB GLASS BREAK SENSOR

NOTE:
 THE "JUDGE DOYLE PODIUM" SET HAS A SIMILAR NUMBERING SYSTEM RELATIVE TO THE "JUDGE DOYLE SQUARE - NEW MUNICIPAL PARKING FACILITY" WHICH IS INCLUDED FOR REFERENCE ONLY

3	JUDGE DOYLE PODIUM ADDENDUM 2	01/18/2019
1	ISSUED FOR PODIUM BID	12/07/2018
No.	Revised	LD

JUDGE DOYLE PODIUM
 CITY OF MADISON

ARCHITECT:
lothan van hook destefano
 ARCHITECTURE LLC

ASSOCIATE ARCHITECT:
INSITE CONSULTING ARCHITECTS

PARKING CONSULTANT:
WALKER

STRUCTURAL ENGINEERS:
HALVORSON AND PARTNERS
 A WEST PLYMOUTH BRUCKENHOFF COMPANY

MEPPP ENGINEERS:
AEI Affiliated Engineers

CIVIL ENGINEERS:
Mead & Hunt

LANDSCAPE ARCHITECT:
WOLFF LANDSCAPE ARCHITECTURE
 PLANNING
 LANDSCAPE ARCHITECTURE
 URBAN DESIGN

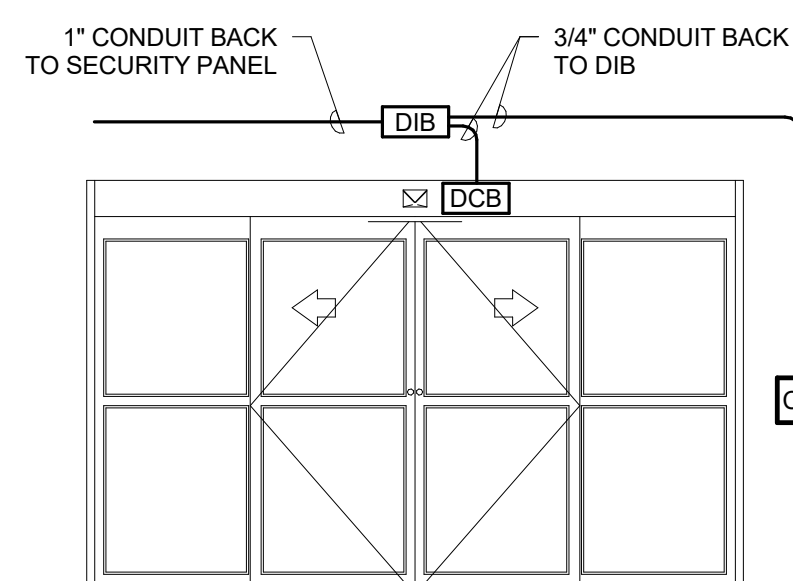
NOTES, SYMBOLS & ABBREVIATIONS

Drawn Date
 GKS 1/18/2019 1:48:02 PM

Checked By Drawing Number
 MAS

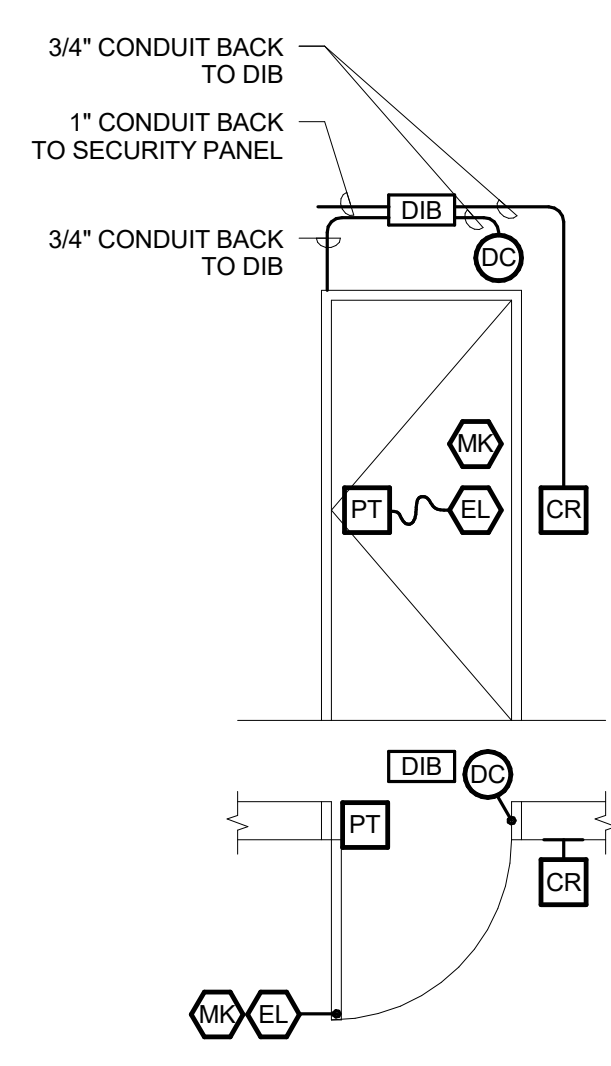
Approved
 JRM

Job Number
T-001.0
 215-1051



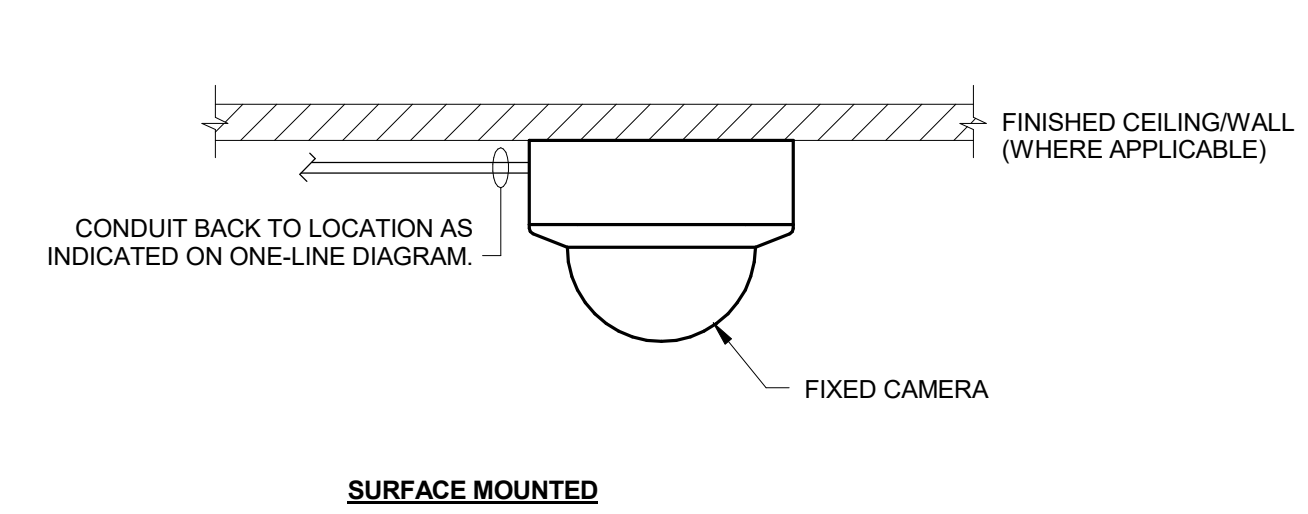
PORTAL COMPONENTS (ROUGH-IN ONLY)						
QTY	DEVICE	MODEL NUMBER	FURNISH	INSTALL	PROVIDE	FIG
1	CREDENTIAL READER	HID PROXPRO				
1	PORTAL CONTACT	REFER TO DIVISION 08 SPECIFICATIONS				
1	ELECTRIFIED LOCKSET W/ REQUEST TO EXIT MICRO SWITCH	REFER TO DIVISION 08 SPECIFICATIONS				
1	DOOR INTERFACE BOX (DIB)	DOUBLE GANG JB				
1	MECHANICAL KEY LOCK	REFER TO DIVISION 08 SPECIFICATIONS				
PORTAL OPERATION AND FUNCTION						
DESCRIPTION			CONFIGURE	PROGRAM	TEST	
DURING UNOCCUPIED BUILDING STATUS THE BREAKING OF A "PORTAL CONTACT" SHALL ALARM LOCALLY AND TO TYCO SECURITY AT RECEIVER #877-482-4943 AND BACKUP #855-261-4672.						
DURING OCCUPIED BUILDING STATUS THE BREAKING OF A "PORTAL CONTACT" WITHOUT A VALID CARD READ OR REQUEST TO EXIT SIGNAL SHALL ALARM LOCALLY AND TO TYCO SECURITY AT RECEIVER #877-482-4943 AND BACKUP #855-261-4672.						
DURING OCCUPIED BUILDING STATUS A "PORTAL CONTACT(S)" REMAINING OPEN FOR LONGER THAN 1 MINUTE SHALL ALARM LOCALLY (EXCEPTIONS MAY APPLY).						
UPON REQUEST TO EXIT SIGNAL OR VALID CARD READ (AND SECONDARY AUTHENTICATION WHEN REQUIRED) THE "PORTAL CONTACT(S)" SHALL BE SHUNTED (AND LOCKING MECHANISMS SHALL BE RELEASED AS REQUIRED) FOR A (USER DEFINED) PERIOD OF TIME. WHEN THE SHUNT TIME EXPIRES THE LOCKING MECHANISMS SHALL ENGAGE AND SECURE THE PORTAL(S).						
EXCEPTIONS:						
NONE						

4 DOOR DETAIL - ROUGH-IN - SLIDING DOOR
NO SCALE

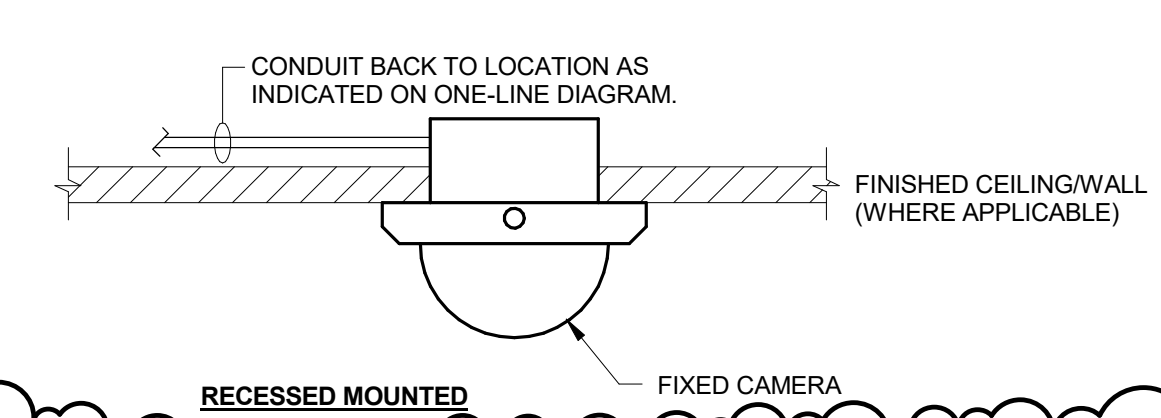


PORTAL COMPONENTS (ROUGH-IN ONLY)						
QTY	DEVICE	MODEL NUMBER	FURNISH	INSTALL	PROVIDE	FIG
1	CREDENTIAL READER	HID PROXPRO				
1	PORTAL CONTACT	MAGNASPHERE MSS SERIES				
1	ELECTRIFIED LOCKSET W/ REQUEST TO EXIT MICRO SWITCH	REFER TO DIVISION 08 SPECIFICATIONS				
1	POWER TRANSFER HINGE	REFER TO DIVISION 08 SPECIFICATIONS				
1	DOOR INTERFACE BOX (DIB)	DOUBLE GANG JB				
1	MECHANICAL KEY LOCK	REFER TO DIVISION 08 SPECIFICATIONS				
PORTAL OPERATION AND FUNCTION						
DESCRIPTION			CONFIGURE	PROGRAM	TEST	
DURING UNOCCUPIED BUILDING STATUS THE BREAKING OF A "PORTAL CONTACT" SHALL ALARM LOCALLY AND TO TYCO SECURITY AT RECEIVER #877-482-4943 AND BACKUP #855-261-4672.						
DURING OCCUPIED BUILDING STATUS THE BREAKING OF A "PORTAL CONTACT" WITHOUT A VALID CARD READ OR REQUEST TO EXIT SIGNAL SHALL ALARM LOCALLY AND TO TYCO SECURITY AT RECEIVER #877-482-4943 AND BACKUP #855-261-4672.						
DURING OCCUPIED BUILDING STATUS A "PORTAL CONTACT(S)" REMAINING OPEN FOR LONGER THAN 1 MINUTE SHALL ALARM LOCALLY (EXCEPTIONS MAY APPLY).						
UPON REQUEST TO EXIT SIGNAL OR VALID CARD READ (AND SECONDARY AUTHENTICATION WHEN REQUIRED) THE "PORTAL CONTACT(S)" SHALL BE SHUNTED (AND LOCKING MECHANISMS SHALL BE RELEASED AS REQUIRED) FOR A (USER DEFINED) PERIOD OF TIME. WHEN THE SHUNT TIME EXPIRES THE LOCKING MECHANISMS SHALL ENGAGE AND SECURE THE PORTAL(S).						
EXCEPTIONS:						
NONE						

5 DOOR DETAIL - ROUGH-IN - SINGLE DOOR
NO SCALE

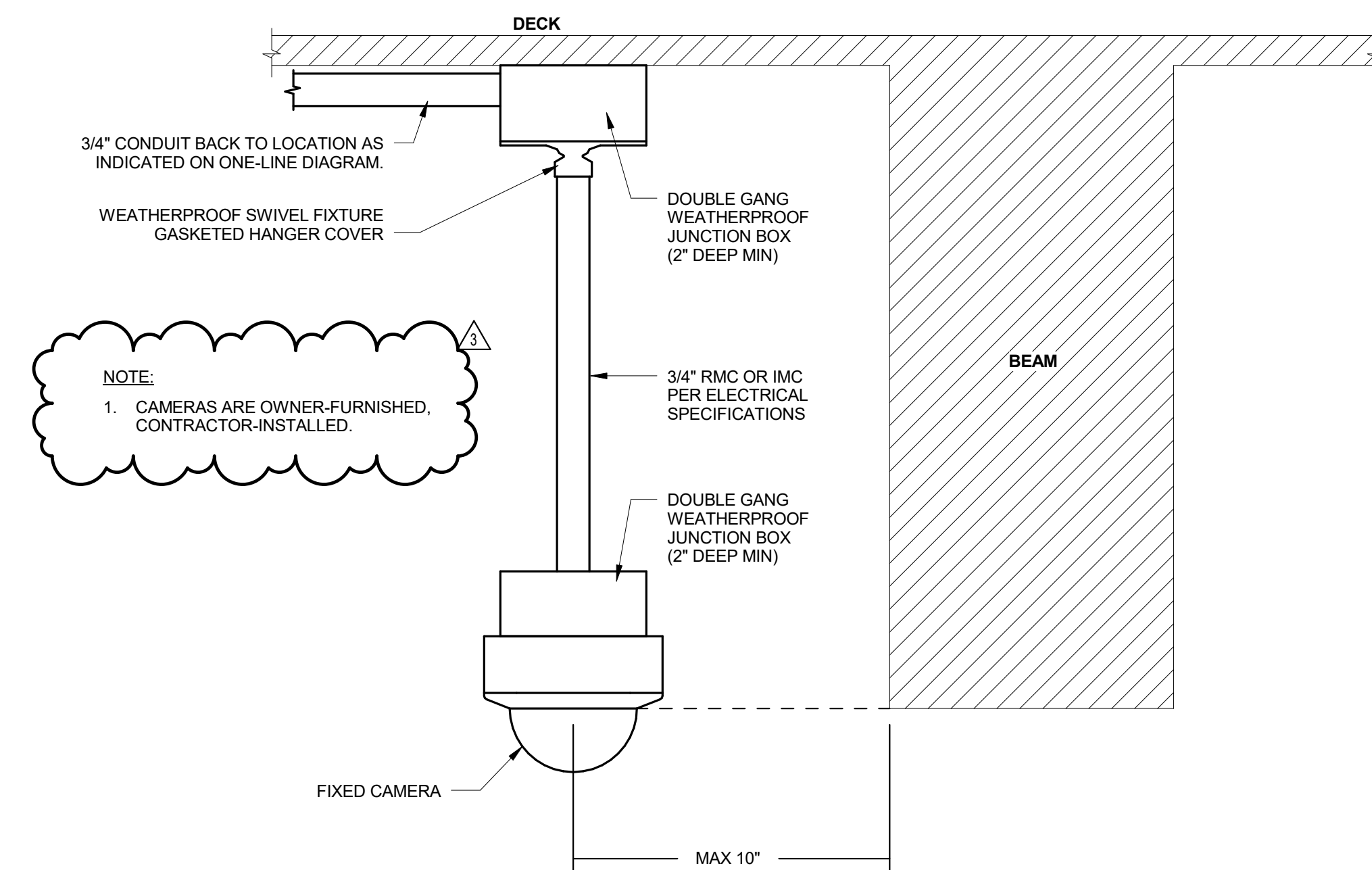


1 INTERIOR CAMERA DETAIL
NO SCALE

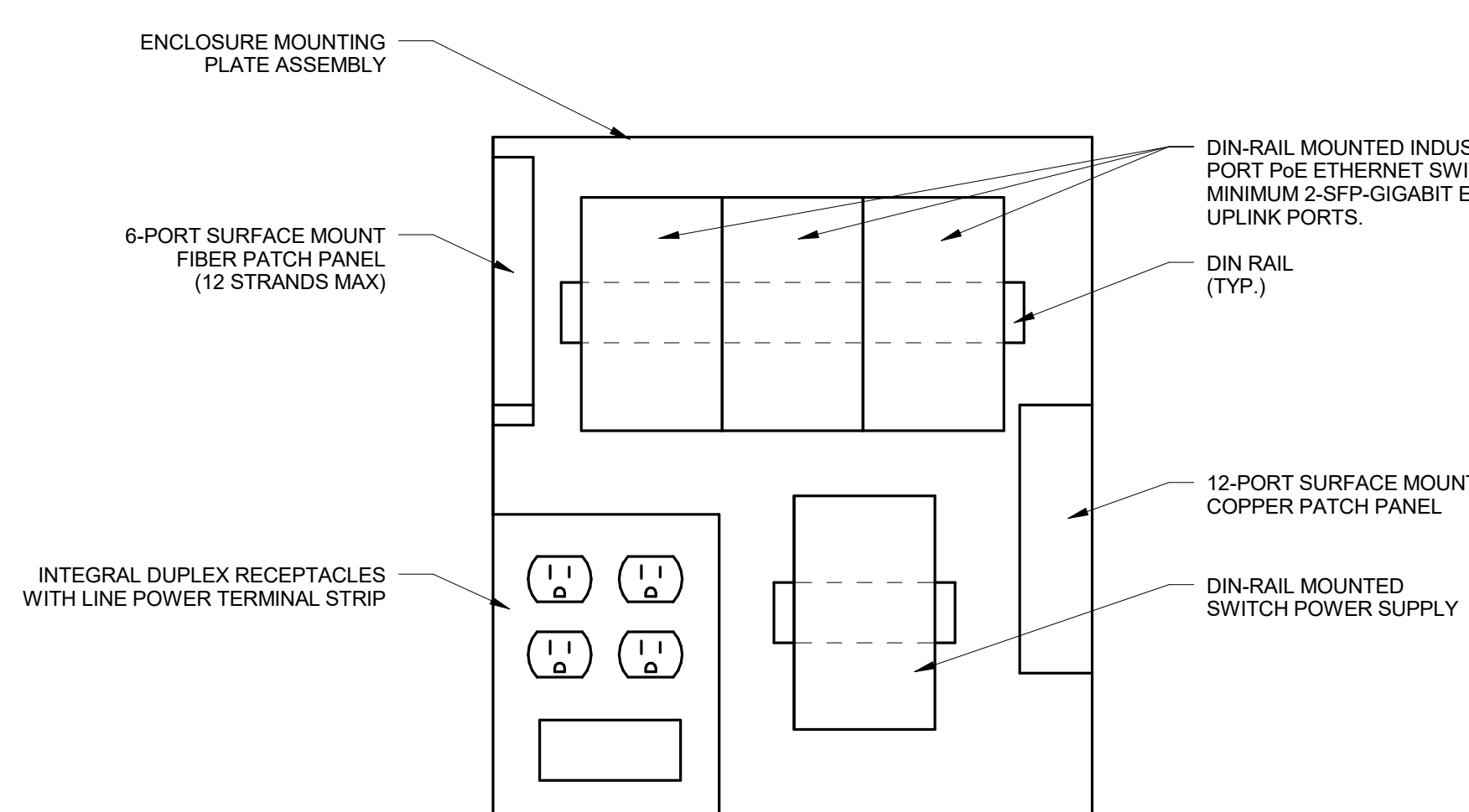


- NOTES:
1. PROVIDE SUPPORT CHAINS IN DROP CEILING - UNIT SHALL BE EQUIPPED WITH TAMPER RESISTANT SCREWS. APPLICABLE TO CAMERAS ONLY IN AREAS WITH ACCESSIBLE CEILING PANELS.
 2. CAMERAS ARE OWNER-FURNISHED, CONTRACTOR-INSTALLED.

1 INTERIOR CAMERA DETAIL
NO SCALE



2 PENDANT CAMERA DETAIL
NO SCALE



3 FIELD ENCLOSURE DETAIL
NO SCALE

NOTE:
THE "JUDGE DOYLE PODIUM" SET HAS A SIMILAR NUMBERING SYSTEM RELATIVE TO THE "JUDGE DOYLE SQUARE - NEW MUNICIPAL PARKING FACILITY" WHICH IS INCLUDED FOR REFERENCE ONLY

3	JUDGE DOYLE PODIUM ADDENDUM 2	01/18/2019
1	ISSUED FOR PODIUM BID	12/07/2018
No.	Description	LD

JUDGE DOYLE PODIUM
CITY OF MADISON

ARCHITECT:
lothan van hook destefano
ARCHITECTURE LLC

ASSOCIATE ARCHITECT:
INSITE CONSULTING ARCHITECTS

PARKING CONSULTANT:
WALKER

STRUCTURAL ENGINEERS:
HALVORSON AND PARTNERS

MEPPP ENGINEERS:
AEI Affiliated Engineers

CIVIL ENGINEERS:
Mead & Hunt

LANDSCAPE ARCHITECT:
WOLFF LANDSCAPE ARCHITECTURE

Drawing Title
DETAILS

Drawn	Date
GAS	1/18/2019 1:48:02 PM
Checked By	Drawing Number
MAS	
Approved	
JRM	
Job Number	T-501.0
215-1051	

© 2018 Lothan Van Hook Destefano Architecture LLC

VIDEO SURVEILLANCE CAMERA SCHEDULE

CAMERA LABEL	NEW /EXISTING CAMERA	LOCATION	ROOM NUMBER	LOCATION REFERENCE SHEET	DETAIL REFERENCE SHEET	DETAIL ID	CAMERA TYPE (FIXED/PTZ)	REFER TO DIV. 27 SPECIFICATIONS				CAMERA CABLED RUNS TO	CAMERA RESOLUTION	CAMERA PLACEMENT OBJECTIVE	COMMENTS		
								APPROXIMATE DISTANCE VERIFY IN FIELD	CAMERA VIEW TYPE								
									IDENTIFICATION	RECOGNITION	DETECTION					SPECIAL	
L2-007	NEW	BICYCLE CENTER	0200	T-402.0	T-501.0	1	FIXED		X				MECH ROOM 0200G IN BICYCLE CENTER	X 15 X 20	MAXIMUM	PROVIDE VISUAL VIDEO SURVEILLANCE IN THE BICYCLE CENTER	PART OF ALTERNATE 1
L2-008	NEW	BICYCLE CENTER	0200	T-402.0	T-501.0	1	FIXED		X				MECH ROOM 0200G IN BICYCLE CENTER	X 15 X 20	MAXIMUM	PROVIDE VISUAL VIDEO SURVEILLANCE IN THE BICYCLE CENTER	PART OF ALTERNATE 1 180° VIEW LENS
L2-009	NEW	BICYCLE CENTER	0200	T-402.0	T-501.0	1	FIXED		X				MECH ROOM 0200G IN BICYCLE CENTER	X 15 X 20	MAXIMUM	PROVIDE VISUAL VIDEO SURVEILLANCE IN THE BICYCLE CENTER	PART OF ALTERNATE 1 360° VIEW LENS
L3-001	NEW	BICYCLE PARKING LEVEL 3 - EAST CORNER	0300	T-123.0	T-501.0	2	FIXED			X			NEMA 4X ENCLOSURE IN SAME LEVEL WITH FIELD DEPLOYED HARDENED INDUSTRIAL MANAGED POE SWITCH(ES)	X 15 X 20	MAXIMUM	PROVIDE VISUAL VIDEO SURVEILLANCE IN THE PARKING STRUCTURE	PROVIDE ROUGH-IN AND CABLING. CAMERA IS OFCI.
L3-002	NEW	BICYCLE PARKING LEVEL 3 - NORTH CORNER	0300	T-123.0	T-501.0	2	FIXED			X			NEMA 4X ENCLOSURE IN SAME LEVEL WITH FIELD DEPLOYED HARDENED INDUSTRIAL MANAGED POE SWITCH(ES)	X 15 X 20	MAXIMUM	PROVIDE VISUAL VIDEO SURVEILLANCE IN THE PARKING STRUCTURE	PROVIDE ROUGH-IN AND CABLING. CAMERA IS OFCI.
L3-003	NEW	PARKING LEVEL 3 - NORTH SIDE	0300	T-123.0	T-501.0	2	FIXED			X			NEMA 4X ENCLOSURE IN SAME LEVEL WITH FIELD DEPLOYED HARDENED INDUSTRIAL MANAGED POE SWITCH(ES)	X 15 X 20	MAXIMUM	PROVIDE VISUAL VIDEO SURVEILLANCE IN THE PARKING STRUCTURE	360° VIEW LENS
L3-004	NEW	PARKING LEVEL 3 - EAST SIDE	0300	T-123.0	T-501.0	2	FIXED			X			NEMA 4X ENCLOSURE IN SAME LEVEL WITH FIELD DEPLOYED HARDENED INDUSTRIAL MANAGED POE SWITCH(ES)	X 15 X 20	MAXIMUM	PROVIDE VISUAL VIDEO SURVEILLANCE IN THE PARKING STRUCTURE	360° VIEW LENS
L3-005	NEW	PARKING LEVEL 3 - SOUTH SIDE	0300	T-123.0	T-501.0	2	FIXED			X			NEMA 4X ENCLOSURE IN SAME LEVEL WITH FIELD DEPLOYED HARDENED INDUSTRIAL MANAGED POE SWITCH(ES)	X 15 X 20	MAXIMUM	PROVIDE VISUAL VIDEO SURVEILLANCE IN THE PARKING STRUCTURE	360° VIEW LENS
L3-006	NEW	PARKING LEVEL 3 - WEST SIDE	0300	T-123.0	T-501.0	2	FIXED			X			NEMA 4X ENCLOSURE IN SAME LEVEL WITH FIELD DEPLOYED HARDENED INDUSTRIAL MANAGED POE SWITCH(ES)	X 15 X 20	MAXIMUM	PROVIDE VISUAL VIDEO SURVEILLANCE IN THE PARKING STRUCTURE	360° VIEW LENS
L3-007	NEW	VESTIBULE	0305	T-123.0	T-501.0	1	FIXED		X				NEMA 4X ENCLOSURE IN SAME LEVEL WITH FIELD DEPLOYED HARDENED INDUSTRIAL MANAGED POE SWITCH(ES)	X 15 X 20	MAXIMUM	PROVIDE VISUAL VIDEO SURVEILLANCE IN THE PARKING STRUCTURE	PROVIDE ROUGH-IN AND CABLING. CAMERA IS OFCI.
L3-008	NEW	VESTIBULE	0304	T-123.0	T-501.0	1	FIXED		X				NEMA 4X ENCLOSURE IN SAME LEVEL WITH FIELD DEPLOYED HARDENED INDUSTRIAL MANAGED POE SWITCH(ES)	X 15 X 20	MAXIMUM	PROVIDE VISUAL VIDEO SURVEILLANCE IN THE PARKING STRUCTURE	180° VIEW LENS
L3-009	NEW	VESTIBULE	0301	T-123.0	T-501.0	1	FIXED		X				NEMA 4X ENCLOSURE IN SAME LEVEL WITH FIELD DEPLOYED HARDENED INDUSTRIAL MANAGED POE SWITCH(ES)	X 15 X 20	MAXIMUM	PROVIDE VISUAL VIDEO SURVEILLANCE IN THE PARKING STRUCTURE	180° VIEW LENS
L4-001	NEW	BICYCLE PARKING LEVEL 4 - EAST CORNER	0400	T-124.0	T-501.0	2	FIXED			X			NEMA 4X ENCLOSURE IN SAME LEVEL WITH FIELD DEPLOYED HARDENED INDUSTRIAL MANAGED POE SWITCH(ES)	X 15 X 20	MAXIMUM	PROVIDE VISUAL VIDEO SURVEILLANCE IN THE PARKING STRUCTURE	PROVIDE ROUGH-IN AND CABLING. CAMERA IS OFCI.
L4-002	NEW	BICYCLE PARKING LEVEL 4 - NORTH CORNER	0400	T-124.0	T-501.0	2	FIXED			X			NEMA 4X ENCLOSURE IN SAME LEVEL WITH FIELD DEPLOYED HARDENED INDUSTRIAL MANAGED POE SWITCH(ES)	X 15 X 20	MAXIMUM	PROVIDE VISUAL VIDEO SURVEILLANCE IN THE PARKING STRUCTURE	PROVIDE ROUGH-IN AND CABLING. CAMERA IS OFCI.
L4-003	NEW	PARKING LEVEL 4 - NORTH SIDE	0400	T-124.0	T-501.0	2	FIXED			X			NEMA 4X ENCLOSURE IN SAME LEVEL WITH FIELD DEPLOYED HARDENED INDUSTRIAL MANAGED POE SWITCH(ES)	X 15 X 20	MAXIMUM	PROVIDE VISUAL VIDEO SURVEILLANCE IN THE PARKING STRUCTURE	360° VIEW LENS
L4-004	NEW	PARKING LEVEL 4 - EAST SIDE	0400	T-124.0	T-501.0	2	FIXED			X			NEMA 4X ENCLOSURE IN SAME LEVEL WITH FIELD DEPLOYED HARDENED INDUSTRIAL MANAGED POE SWITCH(ES)	X 15 X 20	MAXIMUM	PROVIDE VISUAL VIDEO SURVEILLANCE IN THE PARKING STRUCTURE	360° VIEW LENS
L4-005	NEW	PARKING LEVEL 4 - SOUTH SIDE	0400	T-124.0	T-501.0	2	FIXED			X			NEMA 4X ENCLOSURE IN SAME LEVEL WITH FIELD DEPLOYED HARDENED INDUSTRIAL MANAGED POE SWITCH(ES)	X 15 X 20	MAXIMUM	PROVIDE VISUAL VIDEO SURVEILLANCE IN THE PARKING STRUCTURE	360° VIEW LENS
L4-006	NEW	PARKING LEVEL 4 - WEST SIDE	0400	T-124.0	T-501.0	2	FIXED			X			NEMA 4X ENCLOSURE IN SAME LEVEL WITH FIELD DEPLOYED HARDENED INDUSTRIAL MANAGED POE SWITCH(ES)	X 15 X 20	MAXIMUM	PROVIDE VISUAL VIDEO SURVEILLANCE IN THE PARKING STRUCTURE	360° VIEW LENS
L4-007	NEW	VESTIBULE	0405	T-124.0	T-501.0	1	FIXED		X				NEMA 4X ENCLOSURE IN SAME LEVEL WITH FIELD DEPLOYED HARDENED INDUSTRIAL MANAGED POE SWITCH(ES)	X 15 X 20	MAXIMUM	PROVIDE VISUAL VIDEO SURVEILLANCE IN THE PARKING STRUCTURE	PROVIDE ROUGH-IN AND CABLING. CAMERA IS OFCI.
L4-008	NEW	VESTIBULE	0404	T-124.0	T-501.0	1	FIXED		X				NEMA 4X ENCLOSURE IN SAME LEVEL WITH FIELD DEPLOYED HARDENED INDUSTRIAL MANAGED POE SWITCH(ES)	X 15 X 20	MAXIMUM	PROVIDE VISUAL VIDEO SURVEILLANCE IN THE PARKING STRUCTURE	180° VIEW LENS
L4-009	NEW	VESTIBULE	0401	T-124.0	T-501.0	1	FIXED		X				NEMA 4X ENCLOSURE IN SAME LEVEL WITH FIELD DEPLOYED HARDENED INDUSTRIAL MANAGED POE SWITCH(ES)	X 15 X 20	MAXIMUM	PROVIDE VISUAL VIDEO SURVEILLANCE IN THE PARKING STRUCTURE	180° VIEW LENS

NOTE:
THE "JUDGE DOYLE PODIUM" SET HAS A SIMILAR NUMBERING SYSTEM RELATIVE TO THE "JUDGE DOYLE SQUARE - NEW MUNICIPAL PARKING FACILITY" WHICH IS INCLUDED FOR REFERENCE ONLY

3	JUDGE DOYLE PODIUM ADDENDUM 2	01/18/2019
2	JUDGE DOYLE PODIUM ADDENDUM 1	01/03/2019
1	ISSUED FOR PODIUM BID	12/07/2018
No.	Description	Date

JUDGE DOYLE PODIUM
CITY OF MADISON

ARCHITECT:
lothan van hook destefano
ARCHITECTURE LLC

ASSOCIATE ARCHITECT:
INSITE CONSULTING ARCHITECTS

PARKING CONSULTANT:
WALKER

STRUCTURAL ENGINEERS:
HALVORSON AND PARTNERS

MEPPP ENGINEERS:
AEI Affiliated Engineers

CIVIL ENGINEERS:
Mead & Hunt

LANDSCAPE ARCHITECT:
WOLFF LANDSCAPE ARCHITECTURE

Drawing Title
SCHEDULES

Drawn: **KAS** Date: **1/18/2019 1:48:03 PM**

Checked By: **MAS** Drawing Number: **T-601.0**

Approved: **JRM** Job Number: **215-1051**

© 2018 Lothan Van Hook Destefano Architecture LLC